



Short Form Specification

Model :

Item :

Name:

Main Features

- Stainless steel body
- Easy to clean and hygienic
- Ergonomic design
- Adjustable feet
- Doorless models with doors
- Long life, easy to operate and maintenance.
- Smooth chrome fry top
- ST 52 steel 12 mm thick griddle plate
- Cooking surface perimeter is 3 mm thick stainless steel
- Slightly sloped cooking surface , easy and convenient for cleaning, with liquid discharge hole.
- Homogenous heated cooking surface
- Waste oil drawer
- Thermocouple safety device connected to the burner
- Piezo-electric burner ignition
- Insulation to prevent overheating of the and reduce energy losses
- Minimum maximum adjustable gas valve. In an emergency with thermocouple system, the gas is turned off.
- Ability to work with LPG and natural gas with injector change. Lpg 30-50mbr. Ng 20-25 mbr.

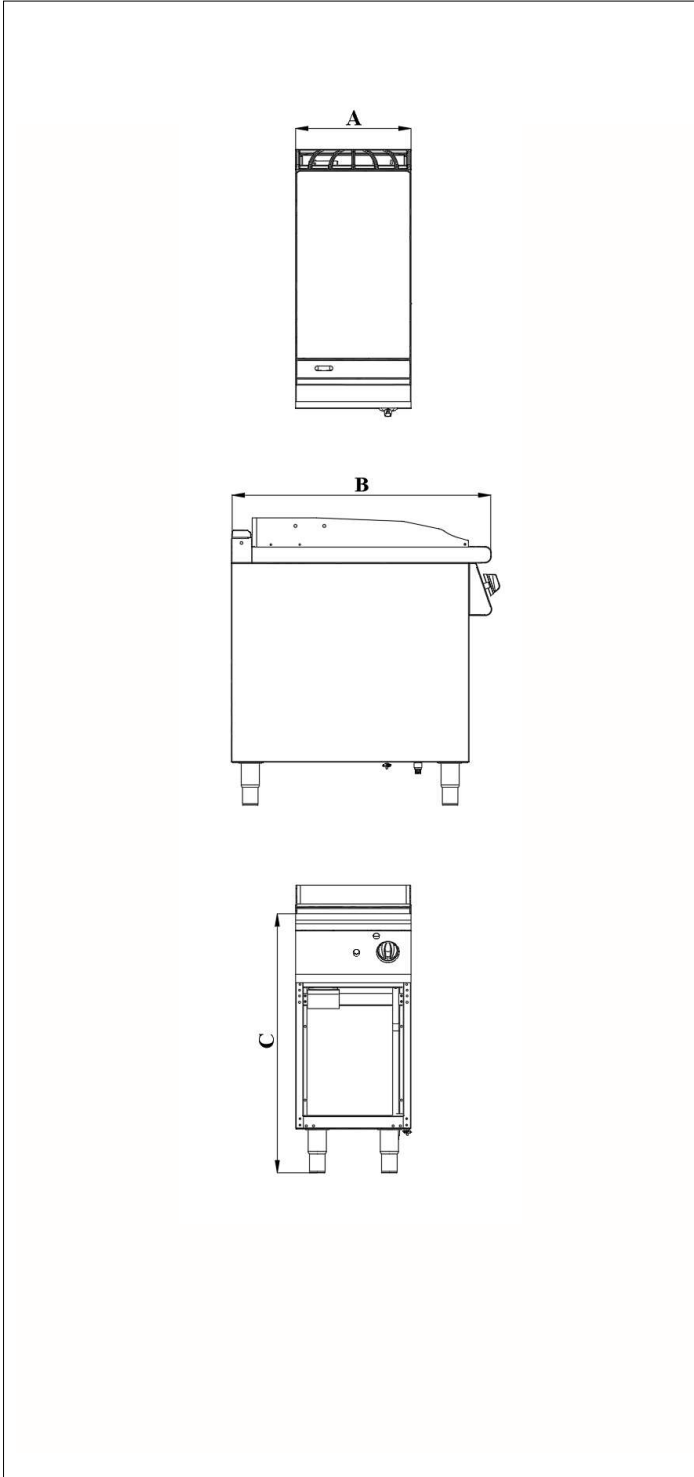


Construction

APPROVAL: _____

Gas Fry Top

7178.3185



Code	7178.3185
Width (A)	400 mm
Depth (B)	900 mm
Height (C)	900 mm
Gross Weight (kg)	84 kg
Gross Volume (m ³)	0.55 m ³
Gas Inlet	1/2"
Electrical Inlet	
Power	9 kW
Capacity	

Gas Fry Top

900 Series

