



7492.0040

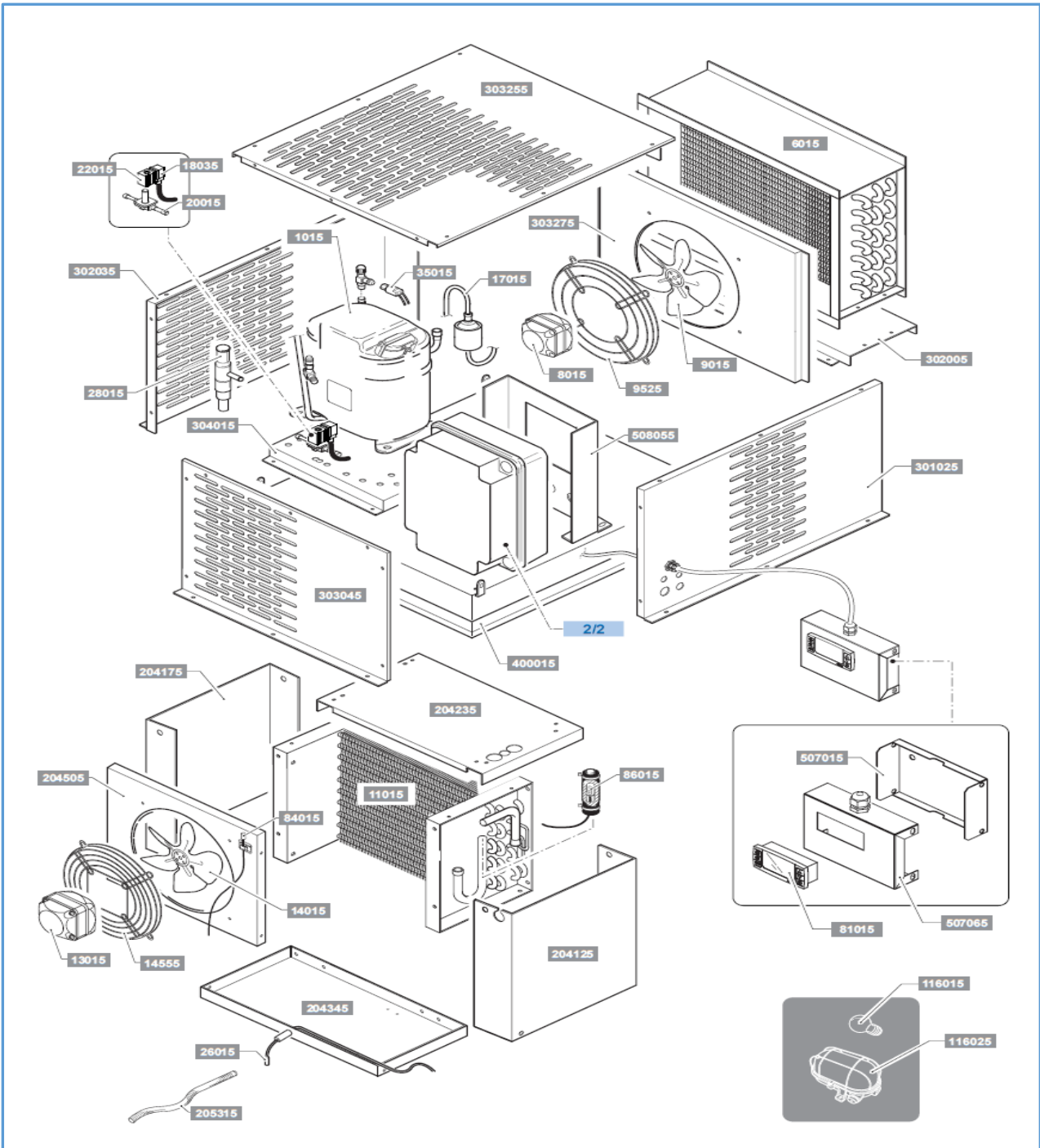
Onderdelen informatie

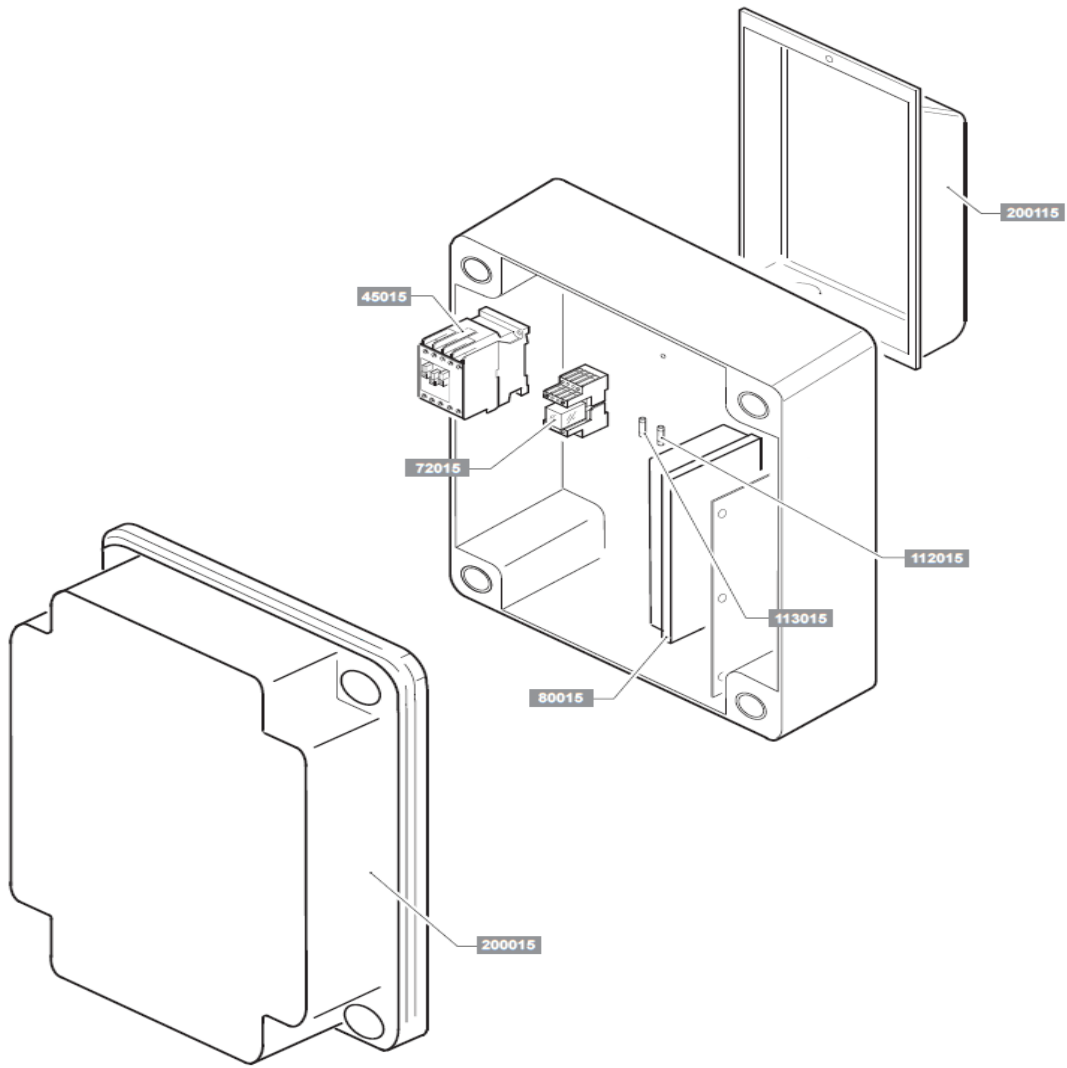
Erzatzteil information

Spare part information

Information de pièces







Onderdelenlijst 7492.0040

POS:	Art.No.:	Omschrijving:	Aantal:
1015	9181.2305	Compressor	
6015	9806.0006	Condenser	
8015	9806.0028	Condenser fan motor	
9015	9806.0103	Condenser fan	
9525	9806.0023	Condenser fan motor bearing grid	
11015	9806.0010	Evaporator	
13015	9806.0029	Evaporator fan motor	
14015	9806.0047	Evaporator fan	
14555	9806.0021	Evaporator fan motor bearing grid	
17015	9806.0014	Gas filter	
18035	9806.0009	Solenoid valve terminal	
20015	9806.0044	Defrost solenoid valve	
22015	9806.0002	Solenoid valve coil	
26015		Drain heater	
35015	9806.0033	Low pressure switch	
45015	9806.0042	Compressor contactor	
72015		Defrost auxiliary relay	
80015	9806.0152	Main-board for electronic control panel	
81015	9806.0104	Electronic control panel keyboard	
84015	9806.0038	Room temperature probe	
86015	9806.0039	Evaporator temperature probe	
112015	9806.0016	Room light fuse	
116015	9806.0027	Lamp	
116025	9806.0032	Lamp holder	
200015		Unit switchboard	
200115		Switchboard back protection	
204125		Evaporator left side panel	
204175		Evaporator right side panel	
204235		Evaporator cover	
204345	9806.0064	Evaporator plastic drain tray	
204505	9806.0063	Evaporator fan holder	
205315	9806.0041	Evaporator drain pipe (each metre)	
301025		Condensing section right side panel	
302005		Condenser holder	
302035		Condensing section left side panel	
303045		Condensing section front cover	
303255		Condenser upper cover	
303275		Condensing section cover/ fan holder	
304015		Compressor holder	
400015		Insulating panel	
507015		Remote panel housing back	
507065		Remote panel housing front side	
508055		Switchboard holder	