

Touchless Faucet Instructions

NOTE BEFORE INSTALLATION

1. Please read the instructions carefully.
2. The sketch map is only for reference. Product appearance and accessories may differ from illustrations in manual.
3. Although the installation is simple, it should be done by a licensed plumber.
4. The following are needed for proper installations: wrench, screwdriver, sealing tape, pliers, etc.

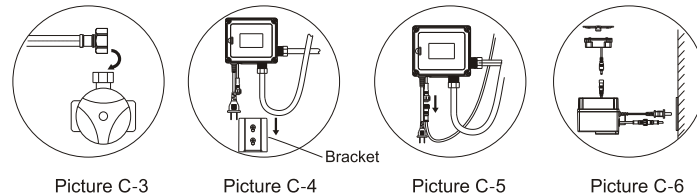
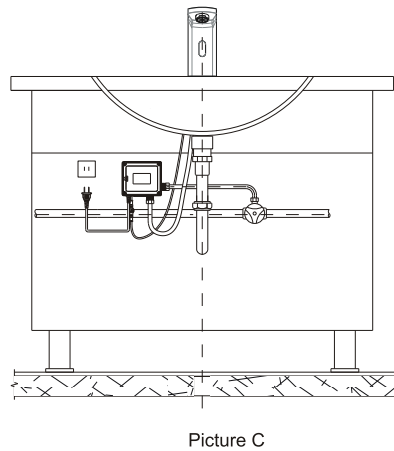
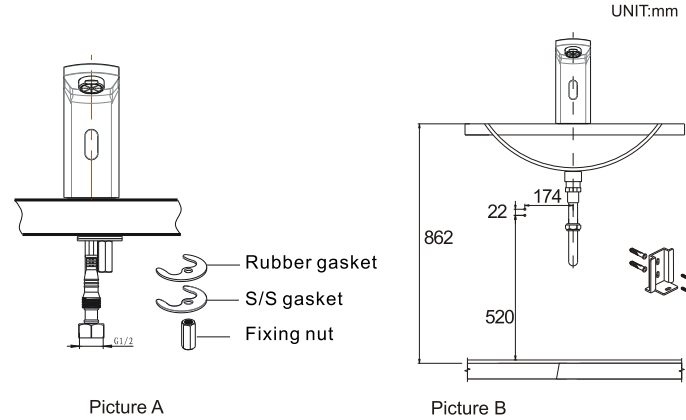
PREPARATION BEFORE INSTALLATION

1. Please note that tap water is required. If water is not clean it may require a filter to avoid damage to the solenoid or other parts.
2. Unit's infrared sensor may not work properly if unit is installed near a reflective surface or if it is facing bright lights.
3. Booster should be adopted if the water pressure is lower than 0.05Mpa to prevent devices damage.
4. Decompressor should be adopted if the water pressure is higher than 0.7Mpa to prevent devices damage.

FAUCET INSTALLATION

- Step 1: Take out the faucet body from the package and remove the rubber gasket, S/S gasket as well as fixing nut. Fix the faucet body to the basin and install the rubber gasket, S/S gasket as well as fixing nut in sequence. See picture A.
- Step 2: Drill two holes with size 7.5mm diameter and 30mm depth. Knock the expansion tubes into the holes and fix the control box holder to the wall. See picture B.
- Step 3: Connect faucet water hose with the control box outlet (See picture C-1). Then fix the water hose to the control box inlet and triangular valve (See picture C-2 and C-3). Fix the control box to the holder and connect the sensor wire.
- Step 4: Take out of the battery box from the control box and install 4 pieces AA alkaline batteries correctly. Then insert back the battery box to the control box. Insert the transformer plug to the socket if needed (See picture C-6).

Attention!
Please test the product with 0.9MPa water pressure for 60 seconds just in case any leakage. The product is ready for use if no leakage after tests.



FUNCTIONS

1. Automatic on/off: Infrared sensor faucet automatically turns on and off.
2. Time Limit: Washing time is set for 60 seconds.
3. Low power indication: This may indicate it is time to replace existing batteries with new ones or there is not enough power going to unit.

TECHNICAL STATISTICS

Working power	DC6V&AC220V/50Hz	The water pressure hereby refers to the pressure under which the machine normally function. Taking washing effect into consideration, it is preferred that the machine works under a water pressure of 0.1-0.5MPa.
Standby current	<30uA	
Instant dynamic power consumption	<600mA	
Working water pressure	0.05~0.7Mpa	
Sensor distance	15-35cm (Reference: 29*29cm white board)	
Security stop	60s	
Environment temperature	1~40°C	
Storage temperature	-15~60°C	
Medium temperature	0~80°C	
Inlet /Outlet diameter	G1/2	
Control box size	110mmx96mmx80mm	

FEATURES OF THE PRODUCT

1. Convenience: When sensor is activated the water begins to flow automatically. To stop flow, simply remove your hands from the sensing range.
2. Hygiene: Touch-less design provides hands-free and germ-free operation.
3. Water saving: Water efficient faucet reduces overall water usage without sacrificing water pressure.
4. Energy saving: Battery shall last approximately 3000 times/month for two years.

INSTRUCTIONS



Faucet automatically supplies water as soon as hands in sensing range

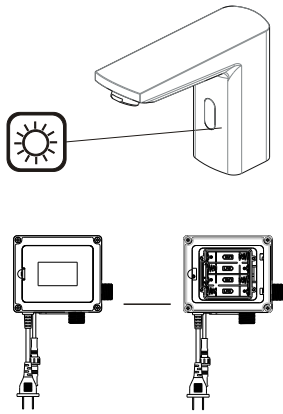
Faucet automatically stops working 1s after hands out of sensing range

BATTERY INSTALLATION

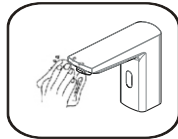
Indicator light will flash every 3-4 seconds if battery power is low, alerting you to change batteries. Do not worry: If battery power runs out the sensor will shut off and water will not flow.

- Step 1: Please unscrew the battery screws and remove the battery case cover.
- Step 2: Replace with four AA alkaline batteries and screw the cover onto the battery case.

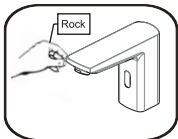
Note
 Make sure the batteries are installed correctly ("+" positive and "-" negative charge). DO NOT mix new old batteries. Do NOT mix batteries of different brands.



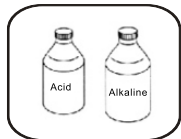
MAINTENANCES



Always keep faucet surface clean and dry. Please use damp towel or cotton cloth to wipe gently.



Please avoid any rocking or violent motion.

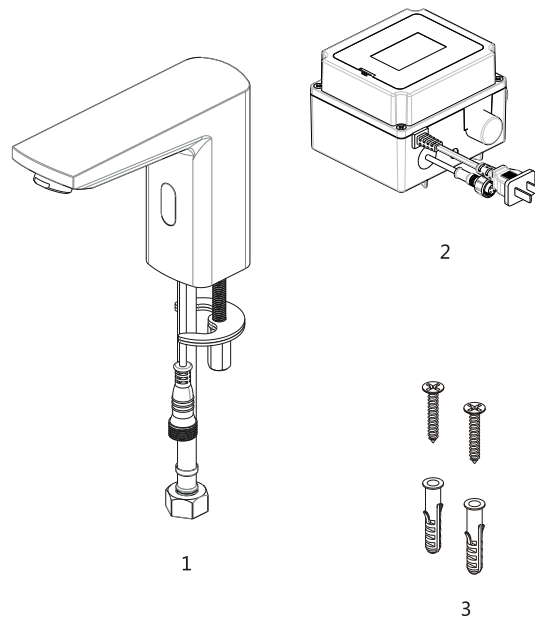


Please DO NOT use acid/alkaline detergents for cleaning.

TROUBLESHOOTING

Problem	Possible Reason	Suggested Solution
No water flow	Batteries run out	Replace batteries
	Dirt on sensor case	Clean the sensor case
	Main water supply is shut off	Turn main water supply on
	Dirt on water filter net	Clean the water filter net
	Water pressure is not applicable	Refer to technical parameters
Have a continuous water flow problem	Batteries run out	Replace batteries
	Low water pressure	Refer to technical parameters
Having leakage after turning off faucet	Low water pressure	Refer to technical parameters
	Dirt on water filter net	Dirt on water filter net

PRODUCT LIST



No.	Parts	Qty.
1	Faucet Body	1
2	Control Box	1
3	Screws	1
4	Installation Manual	1

BOM

