



Hot Chocolate Dispenser

User Manual



Models:

7537.0020 – 7537.0025

CONTENT



.....	6
1. GENERAL INFORMATION.....	6
1.1 MANUFACTURER	6
1.2 AUTHORIZED PERSONS.....	6
1.3 LAYOUT OF THE MANUAL	6
2. MACHINE DESCRIPTION	7
2.1 USE OF THE MACHINE	7
2.2 MAIN COMPONENTS	7
2.3 TECHNICAL DATA.....	8
3. SAFETY	8
3.1 GENERAL SAFETY RULES	8
3.2 STOP FUNCTIONS.....	9
3.3 PLATES	9
3.4 EMERGENCY SITUATIONS	9
4. HANDLING AND STORAGE.....	9
4.1 PACKAGING.....	9
4.2 CONVEYANCE AND HANDLING	10
4.3 STORAGE.....	10
5. INSTALLATION	10
5.1 ACCESSORIES SUPPLIED.....	10
5.2 INSTALLATION-POSITIONING	10
5.3 DISPOSAL OF PACKING MATERIALS.....	11
5.4 ELECTRICAL CONNECTION	11
6. OPERATION	11
6.1 STARTING UP	11
6.2 DISPENSING THE PRODUCT	12
7. CLEANING AND MAINTENANCE	13
7.1 CLEANING AND SANITATION PROCEDURE	14
7.2 EMPTYING THE BOWL	14
7.3 REMOVING THE BOWL	14
7.4 REMOVING THE TAP	15
7.5 CLEANING THE PAN	16
7.6 DISASSEMBLING THE TAP	16
7.7 WASHING AND SANITIZING THE COMPONENTS.....	17
7.8 ASSEMBLING THE WASHED COMPONENTS.....	17
7.9 INTERNAL SANITIZATION	19
7.10 CLEANING THE DRIP TRAY.....	19
7.11 CLEANING THE BOWL LID	19
7.12 EMPTYING THE BOILER.....	20
7.13 CLEANING AND DESCALING THE BOILER TANK.....	20
7.14 RESETTING THE TEMPERATURE SENSOR	20
7.15 PERIODIC MAINTENANCE	21
8. SCRAPPING.....	21
9. TROUBLESHOOTING	22
10. WIRING DIAGRAM.....	22



.....	23
1. ALGEMENE INFORMATIE.....	23
1.1 FABRIKANT.....	23
1.2 BEVOEGDE PERSONEN.....	23
1.3 INDELING VAN DE HANDLEIDING	23
2. BESCHRIJVING VAN DE MACHINE	24
2.1 GEBRUIK VAN DE MACHINE.....	24
2.2 HOOFDONDERDELEN.....	24
2.3 TECHNISCHE GEGEVENS	25
3. VEILIGHEID.....	25
3.1 ALGEMENE VEILIGHEIDSREGELS.....	25
3.2 STOPFUNCTIES.....	26
3.3 PLATES	26
3.4 NOODSITUATIES.....	26
4. BEHANDELING EN OPSLAG.....	26
4.1 VERPAKKING	26
4.2 TRANSPORT EN BEHANDELING.....	27
4.3 OPSLAG.....	27
5. INSTALLATIE.....	27
5.1 MEEGELEVERDE ACCESSOIRES.....	27
5.2 INSTALLATIE-POSITIONERING.....	27
5.3 AFVOER VAN VERPAKKINGSMATERIALEN	28
5.4 ELEKTRISCHE AANSLUITING	28
6. BEDIENING	28
6.1 OPSTARTEN.....	28
6.2 PRODUCT AFGIFTE.....	30
7. REINIGING EN ONDERHOUD	30
7.1 REINIGINGS- EN ONTSMETTINGS-PROCEDURE	31
7.2 DE KOM LEGEN	31
7.3 DE KOM VERWIJDEREN.....	31
7.4 DE KRAAN VERWIJDEREN	33
7.5 DE PAN SCHOONMAKEN.....	33
7.6 DE KRAAN DEMONTEREN.....	34
7.7 WASSEN EN DESINFECTEREN VAN DE COMPONENTEN.....	35
7.8 MONTAGE VAN DE GEWASSEN COMPONENTEN.....	35
7.9 INTERNE DESINFECTIE	37
7.10 DE LEKBAK REINIGEN.....	37
7.11 HET DEKSEL VAN DE KOM SCHOONMAKEN.....	37
7.12 DE BOILER LEGEN.....	37
7.13 REINIGING EN ONTKALKING VAN DE BOILER TANK	38
7.14 DE TEMPERATUURSENSOR RESETTEN	38
7.15 PERIODIEK ONDERHOUD.....	39
8. AFVALVERWERKING	39
9. PROBLEEMOPLOSSING.....	40
10. BEDRADINGSCHEMA	40



.....	41
1. ALLGEMEINE INFORMATIONEN	41
1.1 HERSTELLER	41
1.2 AUTORISIERTE PERSONEN	41
1.3 AUFBAU DES HANDBUCHS.....	41
2. MASCHINENBESCHREIBUNG	42
2.1 VERWENDUNG DER MASCHINE.....	42
2.2 HAUPTKOMPONENTEN.....	42
2.3 TECHNISCHE DATEN	43
3. SICHERHEIT	43
3.1 ALLGEMEINE SICHERHEITSVORSCHRIFTEN	43
3.2 STOP-FUNKTIONEN	44
3.3 SCHILDER	44
3.4 NOTFALLSITUATIONEN.....	44
4. HANDHABUNG UND LAGERUNG.....	44
4.1 VERPACKUNG.....	45
4.2 TRANSPORT UND HANDHABUNG	45
4.3 LAGERUNG.....	45
5. INSTALLATION	45
5.1 MITGELIEFERTES ZUBEHÖR	46
5.2 INSTALLATION-POSITIONIERUNG.....	46
5.3 ENTSORGUNG VON VERPACKUNGSMATERIALIEN	46
5.4 ELEKTRISCHER ANSCHLUSS.....	46
6. BETRIEB.....	47
6.1 INBETRIEBNAHME	47
6.2 PRODUKTAUSGABE	48
7. REINIGUNG UND WARTUNG	48
7.1 REINIGUNGS- UND DESINFEKTIIONSVORGEHENSWEISE	49
7.2 LEEREN DER SCHÜSSEL	49
7.3 ENTFERNEN DER SCHÜSSEL.....	50
7.4 ENTFERNEN DES HAHNS.....	51
7.5 REINIGEN DER WANNE	51
7.6 ZERLEGEN DES HAHNS.....	52
7.7 WASCHEN UND DESINFEKTIEREN DER KOMPONENTEN	53
7.8 MONTAGE DER GEWASCHENEN KOMPONENTEN	53
7.9 INNENDESINFEKTIIONSBEBANDLUNG	55
7.10 REINIGUNG DER TROPFSCHALE	55
7.11 REINIGUNG DES SCHÜSSELDECKELS	55
7.12 ENTLEREN DES KESSELS	55
7.13 CLEANING AND DESCALING THE BOILER TANK.....	56
7.14 RESETTING THE TEMPERATURE SENSOR	56
7.15 PERIODIC MAINTENANCE	57
8. SCRAPPING.....	57
9. FEHLERSUCHE	58
10. SCHALTPLAN.....	58



.....	59
1. INFORMATIONS GÉNÉRALES	59
1.1 FABRICANT	59
1.2 PERSONNES AUTORISÉES	59
1.3 PRESENTATION DU MANUEL	59
2. DESCRIPTION DE LA MACHINE	60
2.1 UTILISATION DE LA MACHINE	60
2.2 COMPOSANTS PRINCIPAUX	60
2.3 DONNÉES TECHNIQUES	61
3. SÉCURITÉ	61
3.1 RÈGLES GÉNÉRALES DE SÉCURITÉ	61
3.2 FONCTIONS D'ARRÊT	62
3.3 PLAQUES	62
3.4 SITUATIONS D'URGENCE	62
4. MANUTENTION ET STOCKAGE	62
4.1 EMBALLAGE	62
4.2 TRANSPORT ET MANUTENTION	63
4.3 STOCKAGE	63
5. INSTALLATION	63
5.1 ACCESSOIRES FOURNIS	64
5.2 INSTALLATION-POSITIONNEMENT	64
5.3 ÉLIMINATION DES MATÉRIAUX D'EMBALLAGE	64
5.4 RACCORDEMENT ÉLECTRIQUE	64
6. FONCTIONNEMENT	65
6.1 MISE EN MARCHÉ	65
6.2 DISTRIBUTION DU PRODUIT	66
7. NETTOYAGE ET ENTRETIEN	66
7.1 PROCÉDURE DE NETTOYAGE ET DE DÉSINFECTION	67
7.2 VIDAGE DU BOL	67
7.3 RETRAIT DU BOL	68
7.4 DÉMONTAGE DU ROBINET	69
7.5 NETTOYAGE DU BAC	69
7.6 DÉMONTAGE DU ROBINET	70
7.7 LAVAGE ET DÉSINFECTION DES COMPOSANTS	71
7.8 MONTAGE DES COMPOSANTS LAVÉS	71
7.9 DÉSINFECTATION INTERNE	73
7.10 NETTOYAGE DU BAC RÉCUPÉRATION	73
7.11 NETTOYAGE DU COUVERCLE DU BOL	73
7.12 VIDANGE DE LA CHAUDIÈRE	73
7.13 NETTOYAGE ET DÉTARTRAGE DU RÉSERVOIR DE LA CHAUDIÈRE	74
7.14 REMISE A ZERO DU CAPTEUR DE TEMPERATURE	74
7.15 ENTRETIEN PÉRIODIQUE	75
8. MISE AU REBUT	75
9. DÉPANNAGE	76
10. SCHÉMA ÉLECTRIQUE	76



1. GENERAL INFORMATION

1.1 MANUFACTURER

The manufacturer's details are shown on the identification plate, illustrated on the first and/or last page of the manual.

1.2 AUTHORIZED PERSONS

Two types of persons may access the machine for different purposes.

User

A person who has adequate technical training to prepare the machine uses to dispense hot chocolate drinks, in observance of current standards of hygiene.

After reading this manual, he will be capable of:

- Carrying out normal product loading and/or replacement operations;
- Properly dispensing the product;
- Cleaning and sanitizing the machine.

Specialized technician

A person who has examined this manual and has specific training in the installation, use and servicing of the machine:

- He must be able to carry out repairs in the event of serious faults and be well acquainted with this manual and all the information regarding safety;
- He must be able to understand the contents of the manual and correctly interpret drawings and diagrams;
- The must be familiar with the most important sanitary, accident prevention, technological and safety standards;
- He must have specific experience in servicing hot chocolate dispensing machines;
- He must know how to behave in case of emergency, where to find individual safety equipment and how to use it properly.



Persons who do not meet the above requirements must not be allowed to use the machine.

1.3 LAYOUT OF THE MANUAL

The Purchaser must very carefully read the information contained in this manual.

1.3.1 PURPOSE AND CONTENTS

The purpose of this manual is to provide the Purchaser with all the necessary information regarding the installation, maintenance and use of the hot chocolate dispensing machine.

There are two versions of the chocolate machine: 5L and 10L bowl, but the figures always refer to the 10-liter version, since they also apply to the 5-liter version.



Before carrying out any operation on the machine, users and specialized technicians must carefully read the instructions herein.

Should you have any doubts as to the correct interpretation of these instructions, contact the manufacturer to request the necessary explanations.



You should not carry out any type of operation until you have read and thoroughly understood the contents of this manual.

1.3.2 WHO MUST READ THE MANUAL

This manual is aimed at users and specialized technicians. **Users must not attempt to carry out any operations restricted to qualified technicians.**

The manufacturer will not be liable for any damage or injury caused as a result of failure to comply with this rule. The instruction manual is an integral part of the product purchased and must therefore be handed over to any subsequent owners.

1.3.3 HOW TO KEEP THE MANUAL

This instruction manual must be kept in the immediate vicinity of the machine. Due precautions should be taken to ensure that the manual is maintained intact and legible over time:

- Use the manual in such a way as to avoid damaging any of its contents;
- Do not for any reason remove, tear or rewrite parts of the manual;
- Keep the manual in a place that is protected against humidity and heat in order to preserve the quality of the print and the legibility of all its parts.



If the present instruction manual is damaged or lost, another copy should be immediately requested from the manufacturer or authorized distributor in the user's country.



1.3.4 SYMBOLS USED



GENERAL DANGER WARNING

It indicates a danger which may also place the user at mortal risk. In such cases utmost care is required and every precaution must be taken in order to operate safely.



DANGER OF ELECTROCUTION

It warns the personnel concerned that the operation described may result in an electrical shock unless all the necessary safety precautions are taken.



IMPORTANT

It indicates a cautionary note, a note about key functions or useful information. Very close attention should be paid to the portions of text marked with this symbol.



PROHIBITED

This symbol is used to indicate operations that must absolutely be avoided since they create hazards for the user and any other individuals present in the vicinity.



DO NOT EXTINGUISH FIRES WITH WATER

The presence of this symbol warns against attempting to extinguish fires with water or any substance containing water.



PERSONAL PROTECTION

When this symbol appears alongside a description it means that personal safety equipment must be used, as there is an implicit risk of accidents.



SPECIALIZED TECHNICIAN

It identifies operations that may be performed only by qualified technical personnel.



MOVING MACHINE PARTS

It identifies the danger due to moving parts existing in the machine. Turn off the machine before carrying out any operation.

2. MACHINE DESCRIPTION

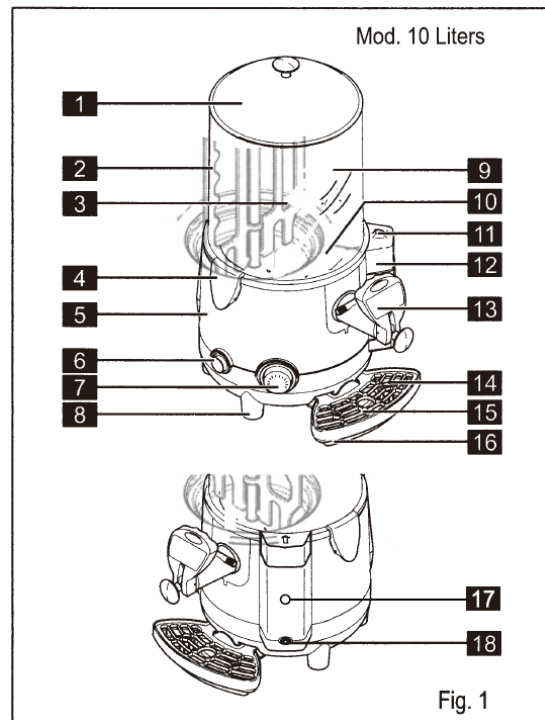
2.1 USE OF THE MACHINE

The machine for professional use you have purchased is intended to produce hot chocolate drinks.

2.2 MAIN COMPONENTS

The main components making up the machine are:

1. Bowl lid
2. Bowl (5 or 10 liters)
3. Mixing auger
4. Bowl hook-on handles
5. Machine body
6. Main switch
7. Chocolate, temperature adjustment thermostat (°C/°F)
8. Lower body
9. Mixer
10. Pan
11. Lid for boiler tank water level indicator tray
12. Boiler tank water level indicator tray
13. Product dispenser unit (tap)
14. Drip tray maximum level indicator
15. Drip tray grid
16. Drip tray
17. Over temperature safety
18. Boiler tank drainage cap

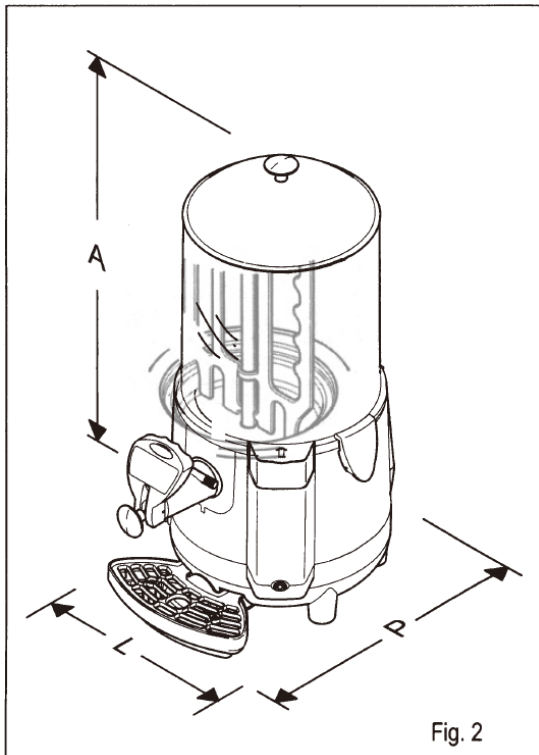




2.3 TECHNICAL DATA

The technical data and features are listed below.

Model	7537.0020	7537.0025
Machine dimensions (WxDxH)	280x410x564 mm	280x410x580 mm
Weight (bowl empty)	7.3 kg	8 kg
Maximum electrical input (W)	See rating plate on the side of the machine	
Operating voltage (V)		
Ambient operating temperature	Min. 10°C (50°F) Max. 32°C (89.6°F)	
Number of bowls	1	1
Capacity of each bowl	5 liter	10 liter
Sound pressure level	<< 70 dB	
Class	N	



Note: the manufacturer reserves the right to make changes to the machine without notice.



Important: any changes and/or additions of accessories must be explicitly approved and implemented by the manufacturer.



3. SAFETY



3.1 GENERAL SAFETY RULES

- Carefully read the whole instructions manual.
- The connection to the electricity mains must comply with the current safety standards in the user's country.
- The machine must be connected to an electric outlet that is:
 - compatible with the plug provided with the machine;
 - of dimensions conforming to the data shown on the rating plate on the side of the machine;
 - properly grounded;
 - connected to a system provided with a differential switch and circuit breaker;
 - connected to a system that has been certified according to the current standards and regulations in the country of use.
- The power cord must not be:
 - allowed to come into contact with any kind of liquid: danger of electric shock and/or fire;
 - crushed and/or brought into contact with sharp surfaces;
 - used to move the machine;
 - used if it shows any damage;
 - handled with damp or wet hands;
 - wound into a coil when the machine is on;
 - tampered with.
- DO NOT:
 - Install the machine in a manner other than that described in Chapter 5.
 - Install the machine in a place where it may be exposed to sprays of water.
 - Use the machine near inflammable and/or explosive substances.
 - Leave plastic bags, polystyrene, nails, etc. within children's reach, since they are potential sources of danger.
 - Allow children to play and stay near the machine.
 - Use spare parts other than those recommended by the manufacturer.
 - Make any technical changes to the machine.
 - Immerse the machine in any kind of liquid.
 - Spray water on the machine to wash it.
 - Use the machine other than as directed in this manual.
 - Use the machine when not in full possession of your mental and physical faculties: under the influence of drugs, alcohol, etc.
 - Install the machine on top of other equipment.
 - Use the machine in an explosive or aggressive atmosphere or in the presence of a high concentration of dust or oily substances suspended in the air.



- Use the machine in a place where there is a risk of fire.
- Use the machine to dispense substances that are not compatible with the machine's specifications.
- Clean or service the machine when the main switch is set to ON or with the plug inserted into the mains outlet.
- This appliance is not intended for use by persons (including children) with reduced physical, sensory or mental capabilities, or lack of experience and knowledge, unless they have been given supervision or instruction concerning use of the appliance by a person responsible for their safety.
- Children should be supervised to ensure that they do not play with the appliance.
- Before cleaning the machine, make sure it is unplugged; wait until the machine has cooled down sufficiently.
- Do not clean the machine with gasoline and/or solvents of any kind.
- Repair work may be performed only by a Service Center authorized by the Manufacturer and/or specialized, trained personnel.
- Do not site the machine near heating equipment, such as stoves or radiators.
- In case of fire, use carbon dioxide (CO₂) extinguishers. Do not use water or powder extinguishers.



In the event of improper use, all warranty rights will be forfeited and the manufacturer will accept no liability for injury or damage to persons and/or property.

The following are to be considered improper use:

- Any use other than the intended use and/or with methods other than those described herein;
- Any operation on the machine that is in contrast with the directions provided herein;
- Use of the machine after any components have been tampered with and/or safety devices have been changed;
- Use of the machine after it has undergone repair with components not authorized by the manufacturer;
- Outdoor installation of the machine.

3.2 STOP FUNCTIONS

The machine is shut down by turning off the on/off switch.

3.3 PLATES

NONE OF THE PLATES OR LABELS SUPPLIED ON THE MACHINE MUST BE REMOVED, COVERED OR DAMAGED, ESPECIALLY THOSE RELATING TO SAFETY.

IN THE EVENT OF DAMAGE TO ANY OF THE RATING PLATES ON THE MACHINE, CONTACT THE MANUFACTURER FOR A REPLACEMENT.

3.4 EMERGENCY SITUATIONS



Warning: to stop the machine in any emergency situation, firmly press the main switch so that it sets to -OFF-.



In the event of fire, it is necessary to clear the area in order to allow trained staff, with the proper protective equipment to intervene. Always use approved extinguishers and never use water or substances of an uncertain nature.

4. HANDLING AND STORAGE



All the operations described in Chapter 4 may be carried out exclusively by technicians who are also specialized in the lifting and handling of packed or unpacked machines. They must organize all the operational sequences and use suitable equipment, according to the characteristics and weight of the object to be handled and in strict compliance with the applicable regulations currently in force.

4.1 PACKAGING

The machine is shipped ready for use and in a cardboard box. The cardboard box comprises a base and a cover, which are secured together with two nylon straps.

Dimensions and weight of packing container

MODEL	WIDTH	DEPTH	HEIGHT	WEIGHT
7537.0020	385 mm	385 mm	525 mm	9.2 kg
7537.0025	385 mm	385 mm	645 mm	10.2 kg

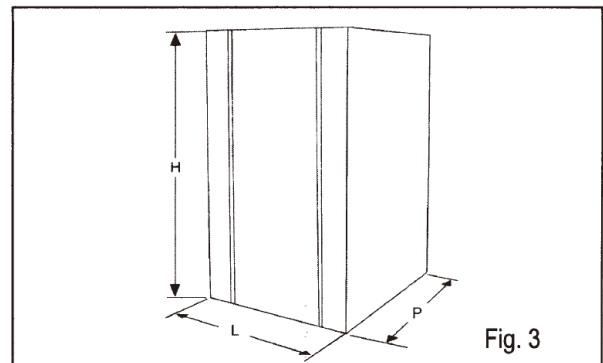


Fig. 3



Note: the dimensions and weight of the packing container are approximate.



4.2 CONVEYANCE AND HANDLING



Make sure that no one is stationed within range of lifting and handling operations. In difficult conditions, specialized personnel should be appointed to oversee the movements of the machine.

Manual handling of the machine requires at least one person.

Lift the box and carefully convey it, avoiding routes with obstacles. Pay attention to overall dimensions and any parts sticking out.



Warning: do not make any additional cuts on the packing container.

The warranty does not cover damage caused to the machine during its conveyance and handling.

The Purchaser will bear the cost of repairing or replacing damaged parts. In conditions of use, the machine may be moved in an upright position only after:

- The bowl has been emptied of its contents (see paragraph 7.2);
- The boiler has been emptied of water (see paragraph 7.12).



Warning! The machine may be moved only when it has cooled sufficiently.

4.3 STORAGE

Before the machine is placed in storage and whenever



the machine is started up again after a period of storage, it must be thoroughly cleaned and sanitized.



Before placing the machine in storage, empty out the boiler tank.

Warning: do not store more than 5 machines stacked on top of one another.

If the machine is to remain unused for a long period of time, due precautions must be taken with respect to the place and duration of storage:

- Store the machine in a closed place;
- Protect the machine from shocks and stresses;
- Protect the machine from humidity and large temperature fluctuations;
- Prevent the machine from coming into contact with corrosive substances.

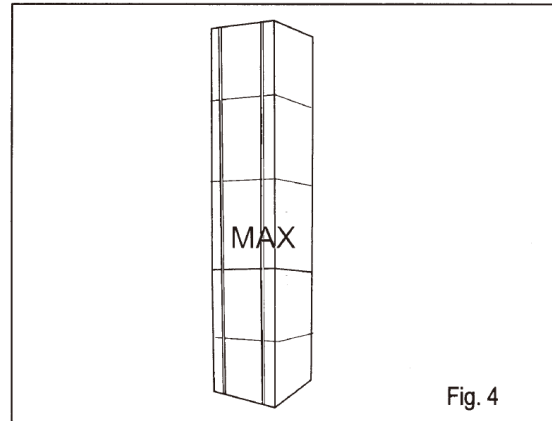


Fig. 4

5. INSTALLATION

All of the operations described in Chapter 5 may be carried out exclusively by specialized technicians, who must organize all the operational sequences and use suitable equipment, in strict compliance with the applicable regulations currently in force.

The machine must be installed indoors in a well-lit and well-ventilated room with a firm, solid, level floor (slope less than 2°); during installation, place the machine well out of the reach of children and unauthorized persons.



The machine is of the attended type, and must be installed in places where it can be monitored by trained personnel.



Warning: it is forbidden to install the machine in a place where it may be reached, touched and/or operated by persons other than those specified in section "1.2 – Authorized persons".

The machine may only operate in places with ambient temperature ranging between 10°C (50°F) and 32°C (89.6°F).

5.1 ACCESSORIES SUPPLIED

Pipe cleaner: for correct cleaning of the hot chocolate dispensing channel.

5.2 INSTALLATION-POSITIONING

It is necessary to check the following:

- The site has been duly prepared for machine installation;
- That the premises are suitably well lit, aired, clean and hygienic, and that the power socket is within easy reach;
- The surface the machine will be installed on is firm, flat and solid;
- That the machine is placed at least 20 cm from the edge of the top used.



Adequate clearance must be left around the machine to enable personnel to work without any constraints and also to leave the work area immediately in case of need.



Fig. 5 shows the minimum clearances for installation. Note: leave a 25 cm space in the upper part.

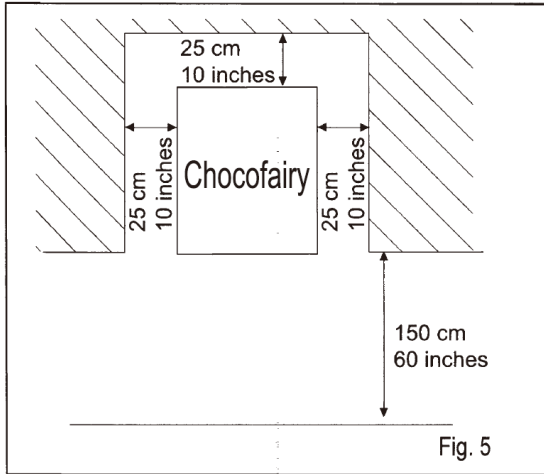


Fig. 5 shows the clearances required for access:

- The controls situated on the left side;
- Machine parts so that they may be serviced in the event of a fault.



Important note: when lifting the machine, do not use the product dispenser unit (tap), drainage pip, water level indicator tray, bowl hook on handles or the bowl itself; grip the bottom machine body. Any damage to the machine deriving from failure to follow these rules will not be covered by the warranty.

After positioning the packing container in the vicinity of the installation site, proceed as follows:

- Open the front part of the packing container;
- Lift the machine and remove it from its packing;
- Then position it on the prepared site.



Before the machine is operated the first time, its components must be thoroughly cleaned; for further details see the relevant section herein.

5.3 DISPOSAL OF PACKING MATERIALS

After opening the box, make sure to separate the packing materials according to type and dispose of them in accordance with the current regulations in the user's country.

We recommend keep the box for future conveyance or transport.

5.4 ELECTRICAL CONNECTION



This job may be performed only by specialized technical personnel.

Before inserting the plug into the mains power socket, make sure that:

- The line voltage used is the same as the value indicated on the manufacturer's rating plate;
- The main switch is set to -OFF-.

If the machine is being connected to the electricity mains for the first time, this operation must be performed by a specialized technician, while the customer will be responsible for and have to take care of any subsequent connections.

The machine must be connected to the electricity mains by means of the plug fitted on the power cord. Be sure to comply with:

- The technical regulations and standards in force at the time of installation;
- The data shown on the rating plate on the side of the machine.



Warning: the electrical outlet must be situated in a place easily within reach of the user, so that no effort is required in order to disconnect the machine from the power supply when necessary.

If the power cord is damaged, you must have it replaced either by the manufacturer or a specialized technician.

It is forbidden:



- to use extension cords of any type;
- to replace the original plug;
- to use adaptors.

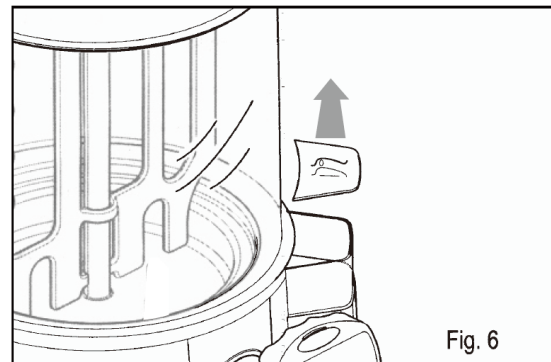
6. OPERATION

Before the machine may be started up for the first time, specialized technical personnel must check that it functions properly.

6.1 STARTING UP

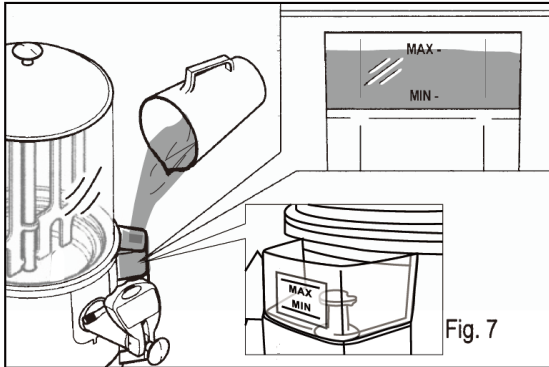
To start up the machine, carry out the following steps:

- Make sure that the main switch is set to OFF.
- Take off the lid.





- Fill the boiler tank with water using the boiler tank level indicator tray, until it reaches the maximum value indicated on the tray itself, which is marked -MAX-.



Warning: fill the boiler tank by pouring in water slowly and check for a few seconds to make sure that the water level has reached the -MAX- level and that it is stable.

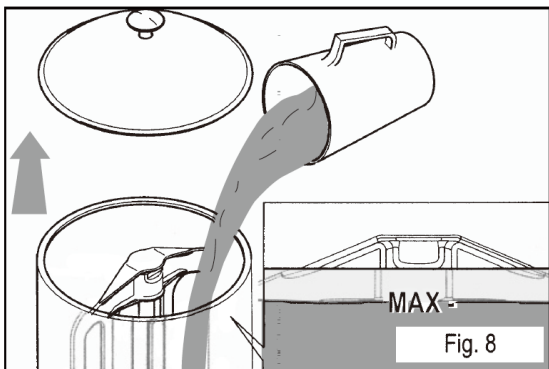


When filling an empty boiler tank for the first time, the amount of water needed to completely fill the tank is approximately 3.25 liters.



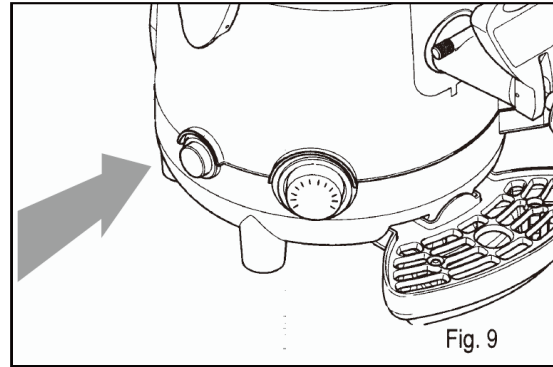
Once the alarm light is on with buzzing sound, please fill up the boiler tank again with water, avoiding overheating and damage to the machine.

- Remove the lid and pour the beverage prepared to the manufacturer's instructions into the bowl.
- Never exceed the maximum level, which is marked -MAX- on the tray itself.

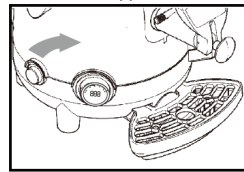


- After pouring the product into the bowl, fit the lid back in place.
- Make sure that the plug has been inserted into the mains socket.
- Press the main switch to start the machine, the product inside the bowl will start to be mixed.

LED: -MACHINE ON-
LED off: -MACHINE OFF-

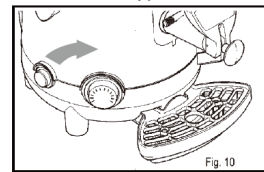


Electronic type



Set the temperature by the rotary knob, then the thermostat will display the current temperature.

Mechanical type



Set the thermostat to the required temperature to heat the product inside the bowl.



Warning: during bowl and/or boiler switch off the machine using the main switch (LED off).



Warning: check to make sure that the water level never falls below the minimum level, which is marked -MIN-; this will prevent machine operations from being shut down.



Warning: never operate the machine without water in the boiler as this would damage the heating element.

A temperature sensor will in any case cut out power to the heating element if there is no water in the boiler. To restore the machine to normal operation, press the push button underneath the base.



Warning: power will still be supplied to the machine, even during the shutdown.



Warning: for correct machine operation, only use demineralized water in the boiler tank.

6.2 DISPENSING THE PRODUCT



Warning: the product dispensed from the machine has a very high temperature; risk of scalding.

To dispense hot chocolate, proceed as follows:



It is advisable to keep the rod in the maximum dispensing position to help the product to flow at the required rate.



- Place a cup beneath the tap;
- Use the lever on the tap (the product is dispensed when the lever is pressed or pulled) until the required amount of product has been poured inside the cup;
- Gradually release the tap lever so that it returns to the standby position (tap off).

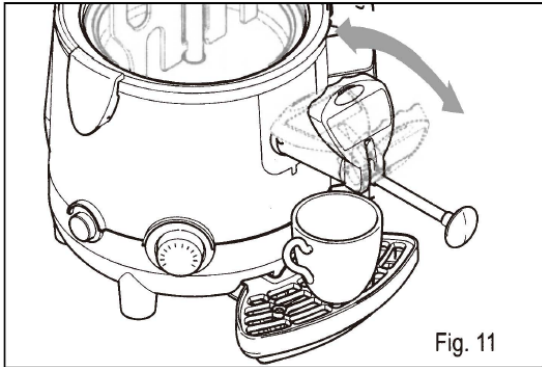


Fig. 11

If the product is especially thick, it is advisable to keep the rod pulled out at the maximum position; any clogging in the dispense line may be removed by sliding the rod back and forth while keeping the machine, as shown in Fig. 12.

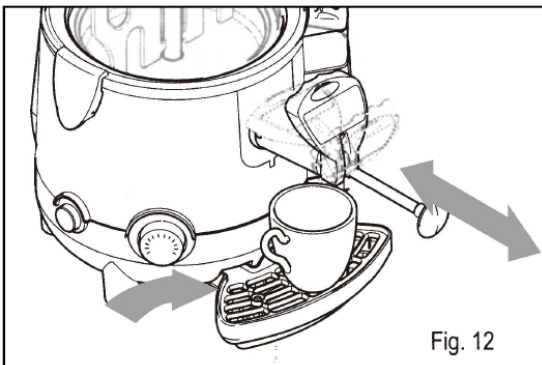


Fig. 12



Warning: never touch the bowl or lid while the machine is operating, since they are very hot. Always use the knob when moving the bowl lid.

7. CLEANING AND MAINTENANCE



Machine cleaning and maintenance must be performed with the main switch set to **-OFF-** and the machine unplugged from the mains electricity.



Warning: each time that the bowl is filled with any type of product (food or sanitizing product), make sure that the mixing rod is present.



Warning: before carrying out any cleaning job, wait until the machine has cooled down sufficiently.



Warning: the use of abrasive and/or metal sponges to clean the machine or its components is completely prohibited; only use a damp cloth and/or non-abrasive sponge for cleaning.



Warning: only use the cleaning brush provided to clean the channel connecting between the tank and the tap (see section 7.5, figure 25); never use this brush to clean other parts.



Before performing any cleaning and maintenance operation on the machine, wear the personal protections (gloves, glasses, etc.), which are recommended by the safety standards in force in the country where the machine is used.

When performing the Cleaning and Maintenance operations, **follow these instructions:**

- Wear protection accident-proof gloves;
- Do not use solvents or inflammable materials;
- Do not use abrasive and/or metal sponges to clean the machine and its components;
- Take care to avoid dispersing liquids in the surrounding area;
- Do not wash machine components in a dishwasher;
- Do not dry parts of the machine in a conventional and/or microwave oven;
- Do not immerse the machine in water;
- Do not expose the machine to direct sprays of water;
- Clean only with warm water and a sanitizing product made from sodium hypochlorite diluted in water to obtain an active chloride concentration of 0.02%.
- On completing work, make sure that all protective covers and guards that have been removed or opened are set back in place and properly secured.

Cleaning and sanitization are operations that must be performed with utmost care and on a regular basis to guarantee the quality of the beverages dispensed and compliance with mandatory hygiene standards.



Each bowl must be cleaned and sanitized for a product change at least every 2 days and in any case in compliance with the current hygiene regulations in the user's country. These operations must be made more frequently if demanded by the characteristics of the product used; for further details, contact the product supplier.



The metal, plastic and rubber materials used to make these parts, combined with their specific shapes make cleaning easier but do not prevent the formation of bacteria and mould in the event of insufficient cleaning.



7.1 CLEANING AND SANITATION PROCEDURE

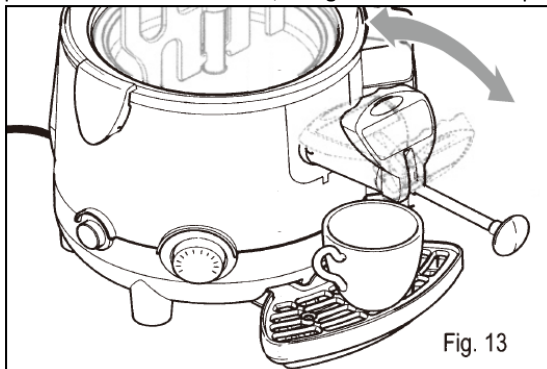
When performing cleaning and sanitation operations, proceed as described here below:

- Empty the product from the bowl (see paragraph 7.2)
- Remove the bowl from the machine (see paragraph 7.3)
- Remove the tap from the machine (see paragraph 7.4)
- Clean the pan (see paragraph 7.5)
- Disassemble the tap previously removed from the machine (see paragraph 7.6)
- Wash and sanitize the machine's component parts (see paragraph 7.7)
- Refit the bowl on the machine (see paragraph 7.8.1)
- Use a damp cloth and/or non-abrasive sponge soaked in sanitizing product to clean the tap coupling
- Re-assemble the tap (see paragraph 7.8.2)
- Fit the tap onto the machine (see paragraph 7.8.3)
- Perform the sanitizing procedure for the inside of the machine (see paragraph 7.9)
- Clean the drip tray (see paragraph 7.10)
- Clean the bowl lid using a damp cloth and/or a non-abrasive sponge (see paragraph 7.11)
- Empty out the boiler tank (see paragraph 7.12)
- Clean and de-scale the boiler tank (see paragraph 7.13)

7.2 EMPTYING THE BOWL

Before cleaning out the bowl, it is first necessary to empty out any product from inside it.

With the machine switched on, empty out all of the product still inside the bowl, using the lever on the tap.



Fill the bowl with water and set the thermostat to 50°C (122°F). Operate the appliance for at least 15-20 minutes; increasing this amount of time will release any product residues that may be stuck to the sides of the bowl. Empty out the entire contents of the bowl, using the lever on the tap.



Warning: the product dispensed from the machine has a very high temperature; risk of scalding.



7.3 REMOVING THE BOWL



Warning: before removing the bowl, make sure that the main switch is off and that the machine is unplugged from the mains electricity and sufficiently cooled down.



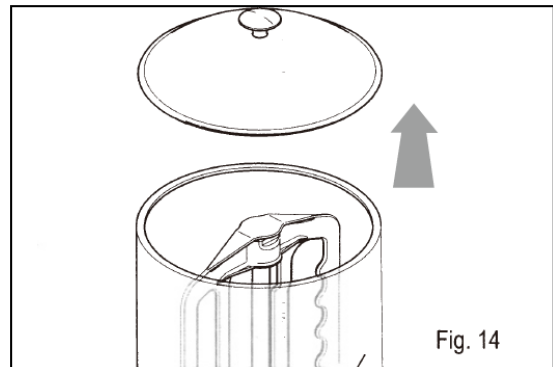
Removing the bowl is prohibited if it contains the product or any other liquid.



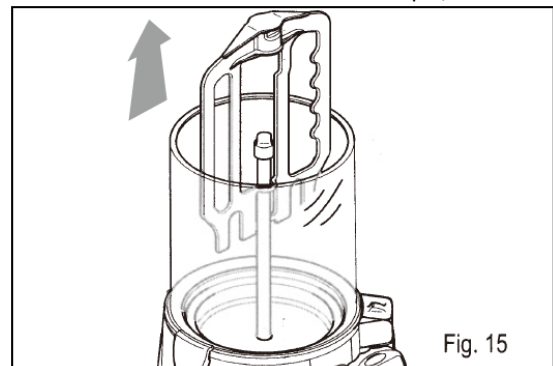
It is fundamentally important to remove the bowl and its component parts if the machine is to be correctly cleaned and sanitized.

To remove the bowl correctly, proceed as follows:

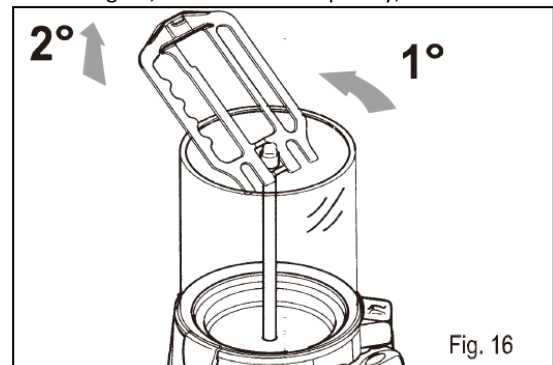
- Take off the lid;



- Slide the mixer upwards to remove it, keeping it in line with the central rod until the bottom slot of the mixer itself is level with the rotation pin;

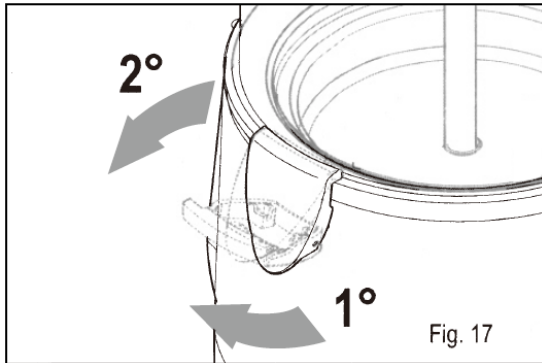


- Tilt the mixer and slide it upwards, as illustrated in the figure, to remove it completely;

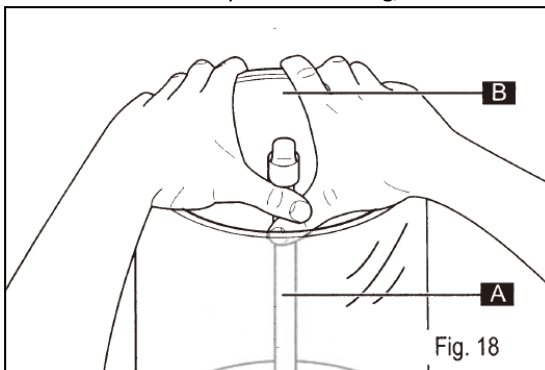




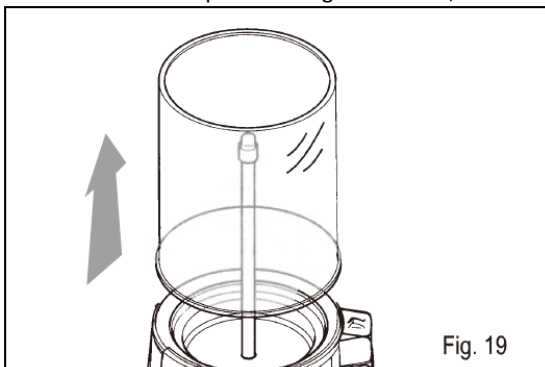
- Unhook the bowl hook-on handles, as illustrated in the figure, to free the bowl from the machine body;



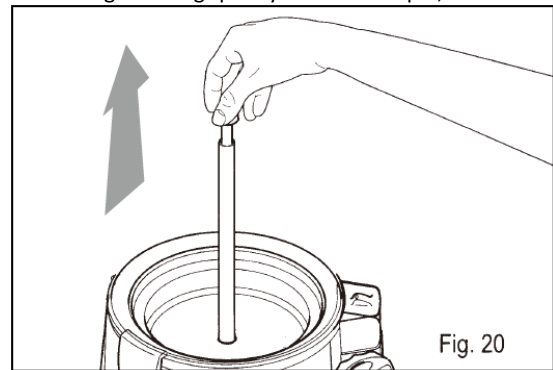
- Release the bowl from the machine body, using two fingers to prise it away from the fixed steel part of the mixer auger (A) and the others to grip the outer edge of the bowl (B): gradually pull the bowl harder until it comes away from its seating;



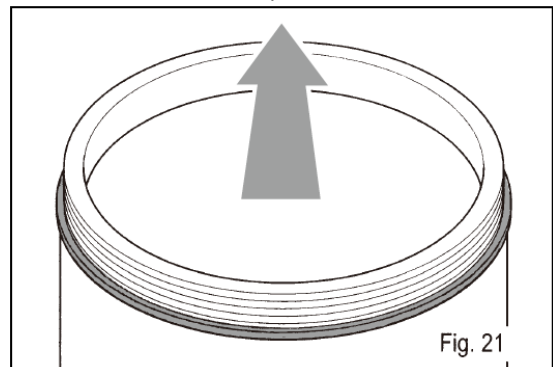
- Slide the bowl upwards using both hands;



- Slide the mixing auger upwards with one hand, taking care to grip it by the rotation pin;



- Place the bowl on a flat surface and using both hands, remove the gasket by sliding it upwards in the direction shown by the arrow.



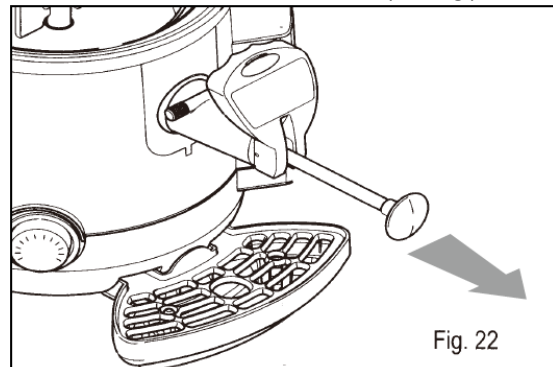
7.4 REMOVING THE TAP



Removing the tap as prohibited if the bowl contains the product or any other liquid.

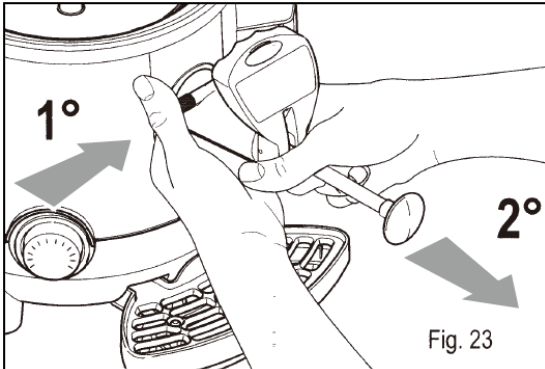
To remove the tap, proceed as follows:

- Move the rod to the maximum dispensing position;





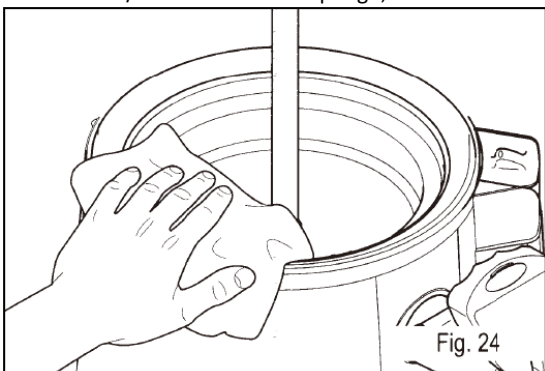
- Press the button (A) securing the tap to the machine and then remove the tap (B) with both hands, as illustrated in the figure;



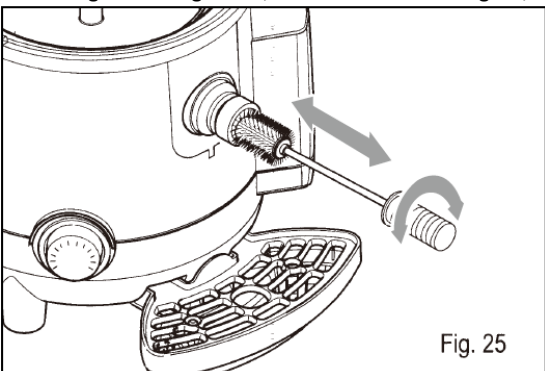
7.5 CLEANING THE PAN

It is necessary to remove all parts fitted to the pan.

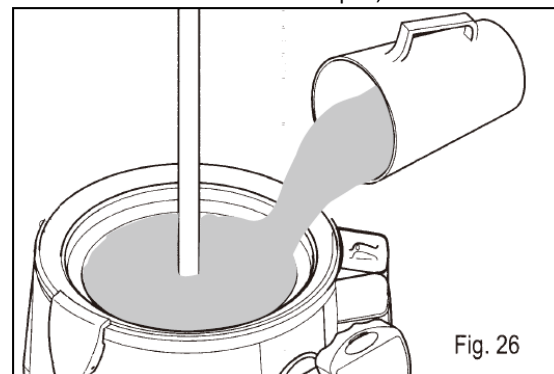
- Remove any product left in the bowl, see paragraph 7.2;
- Remove the bowl from the machine, see paragraph 7.3;
- Remove the tap from the machine, see paragraph 7.4;
- Clean the entire surface of the pan using a damp cloth an/or a non-abrasive sponge;



- Clean the channel connecting the bowl and the tap, using a cleaning brush, as illustrated in the figure;



- Refit the tap;
- Pour a little water inside the pan;

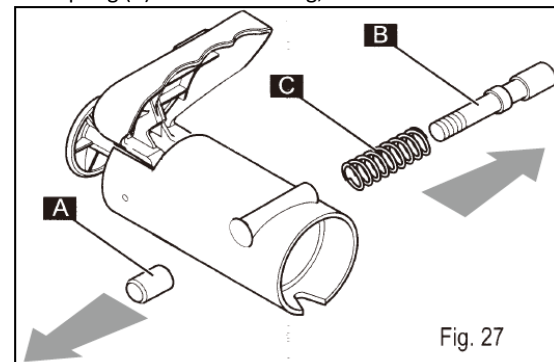


- Use the tap to drain out all of the water from the pan so as to eliminate any small product residues inside the dispensing channel.

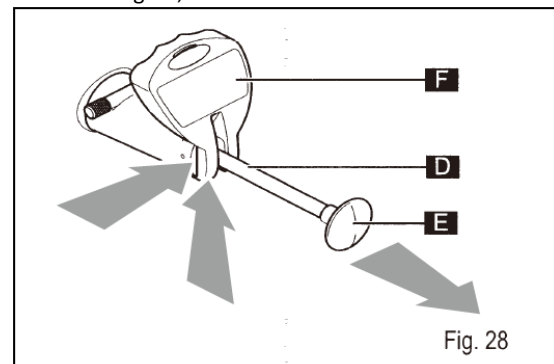
7.6 DISASSEMBLING THE TAP

To clean the inside of the tap more thoroughly, disassemble it as follows:

- Remove the tap, following the steps listed in paragraph 7.4;
- Place tap on a clean, flat surface, then loosen and remove the screw (A) fastening the button to the machine, then slide out the pin (B) and relevant spring (C) from the seating;

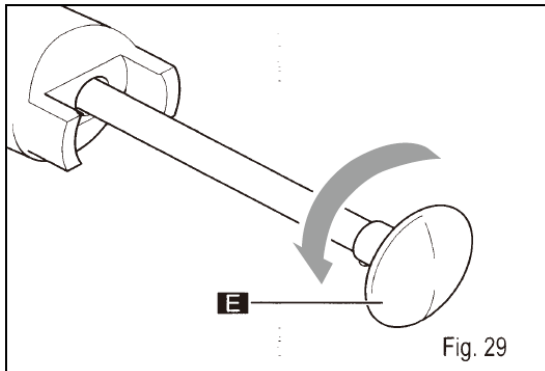


- Pull the rod (D) all the way out from the knob (E), then push the lever (F) upwards from the bottom until it comes out from the pin guide, as illustrated in the figure;

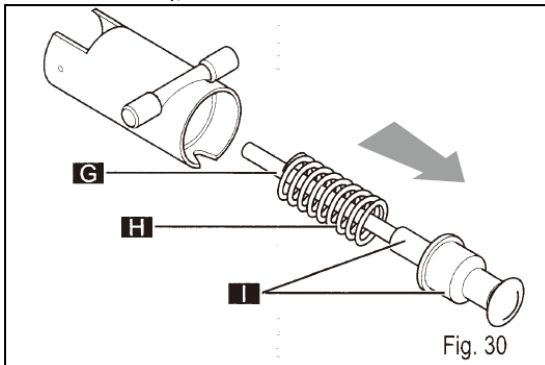




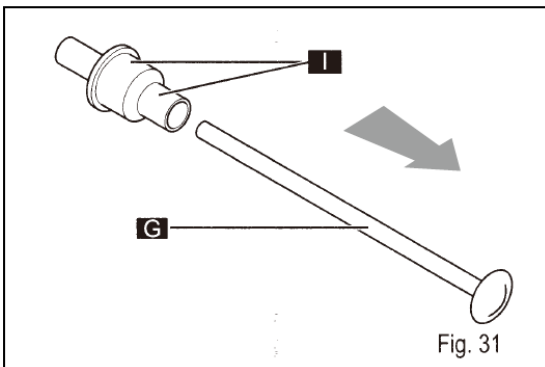
- Unscrew the knob (E) by turning it anti-clockwise while holding the rode in place;



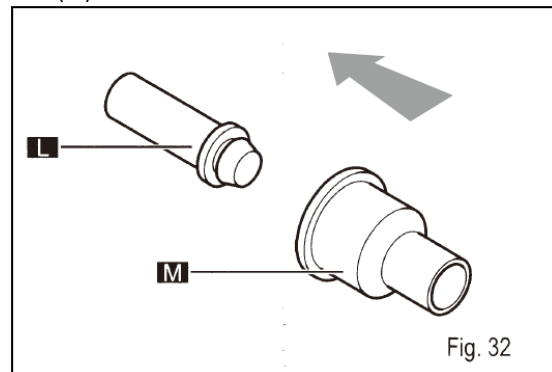
- Pull out the rod (G) and spring (H) from the tap body (the pin/gasket assembly (I) will slide out together with the rod);



- Detach the rod (G) from the pin/gasket assembly (I);



- Disassemble (by pulling) the pin (L) from the gasket (M).



7.7 WASHING AND SANITIZING THE COMPONENTS

All of the component parts previously disassembled (tap, mixer, mixing auger, gasket and bowl) must be carefully washed and sanitized.

To carry out this procedure correctly, proceed as follows:

- Fill a container with detergent and hot water with a temperature of 50-60°C (122-140°F);
- Wash the disassembled components with the detergent solution;
- Rinse with hot water;
- Clean only with warm water and a sanitizing product made from sodium hypochlorite diluted in water to obtain an active chloride concentration of 0.02%;
- Immerse the disassembled component parts in the sanitizing solution;
- Leave the components inside the container of sanitizing solution for about 30 minutes;
- Rinse with clean water;
- Clean the bowl lid (see paragraph 7.11);
- Place the components on a clean surface and dry them.

7.8 ASSEMBLING THE WASHED COMPONENTS

All washed and sanitized component parts must be re-assembled with care and then subsequently refitted to the machine, following the relevant steps.

7.8.1 ASSEMBLING THE BOWL

Warning: make sure that the gasket is correctly fitted; an incorrectly fitted gasket will cause the product to leak out; risk of scalding!

Before assembling the bowl in the machine, check that the seal is correctly assembled.



Fig. 33 shows a seal correctly assembled; here the seal perfectly adheres to the bowl edge.

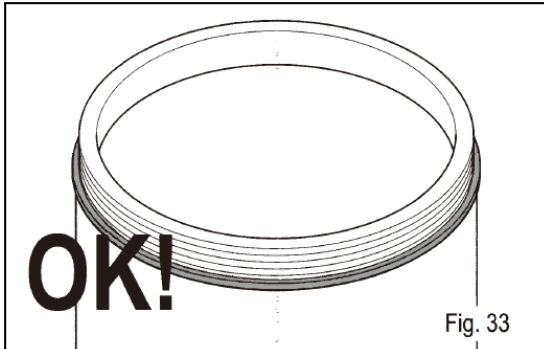
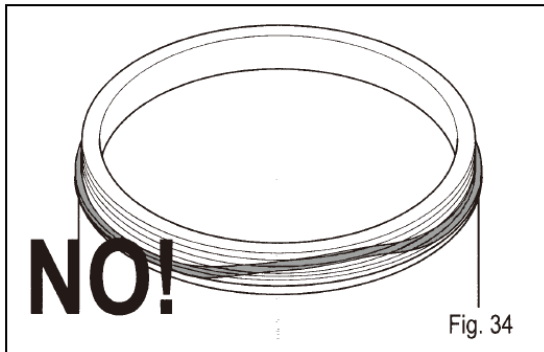
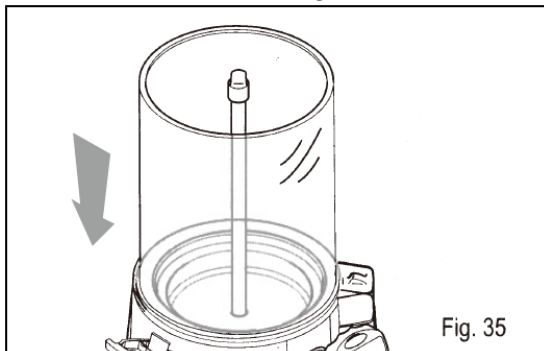


Fig. 34 shows a seal which is not correctly assembled; here the seal does NOT perfectly adhere to the bowl edge.



5-liter and 10-liter models:

- Fit the bowl back into place, pushing firmly downward, after moistening the seal with water;



DO NOT USE GREASE OR VASELINE.



Warning: make sure that the bowl is correctly fitted to the machine; an incorrectly fitted bowl will cause the product to leak out; risk of scalding!

Fig. 36 shows a bowl correctly assembled; here the bowl perfectly adheres to the machine edge.

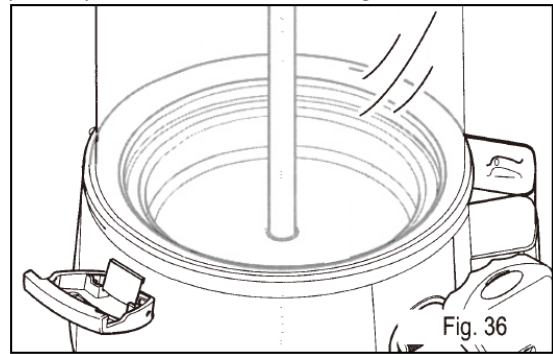
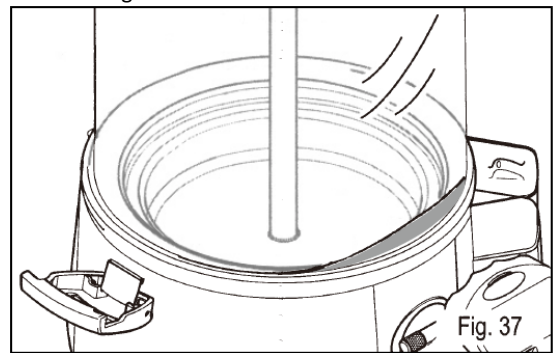
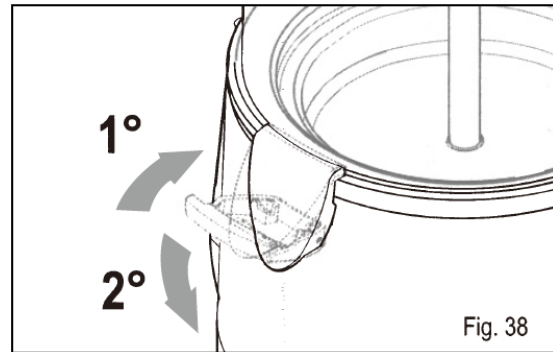


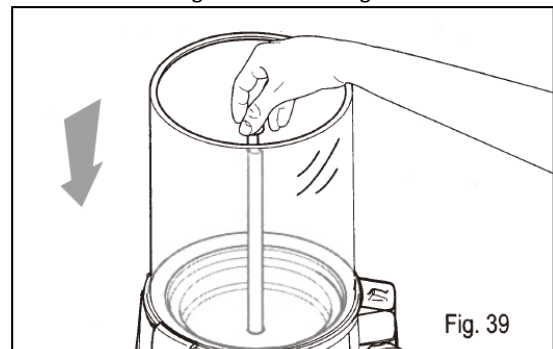
Fig. 37 shows a bowl which is not correctly assembled; here the bowl does NOT perfectly adhere to the machine edge.



Fix the bowl to the machine body using the relevant hook-on handles, as illustrated in the figure.



Insert the mixer auger into its seating.





Insert the mixer into its seating following the steps described in paragraph 7.3 in reverse order.

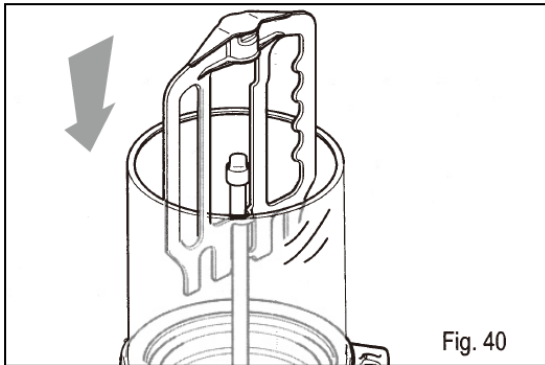


Fig. 40

7.8.2 ASSEMBLING THE TAP

To reassemble the tap, carry out in reverse all of the disassembly steps illustrated previously (Fig. 32 to Fig. 27).

To fit the lever (F), push the rod (D) from the inside until the guides protrude; then insert the lever and slowly release the rod.

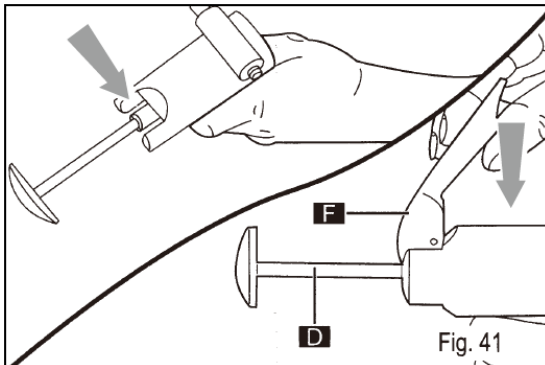


Fig. 41

7.8.3 FITTING THE TAP

To fit the tap correctly back in place, proceed as follows:

- Hold down the button, making sure that the rod is completely extracted;
- Introduce the tap into the seat provided and push until the push button returns to its initial position.

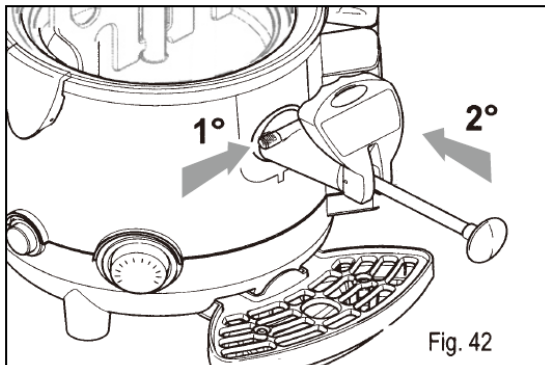


Fig. 42

7.9 INTERNAL SANITIZATION

Warning! The thermostat must be set to -OFF-.

Carry out the following steps:

- Prepare the sanitizing solution (see paragraph 7.7);
- Fill the bowl with the sanitizing solution;
- Leave the solution to act for about 30 minutes;
- Empty out the sanitizing solution from the bowl;
- Then rinse out the bowl and inside surfaces thoroughly to eliminate all residues of sanitizing solution.

7.10 CLEANING THE DRIP TRAY



The drip tray should be emptied and cleaned daily.



Note: the tray needs to be emptied out and cleaned every time that the red float fitted to the grid rises; this is to stop liquid from leaking out.

- Lift the tray with grid and pull it outwards to remove it from its seating;

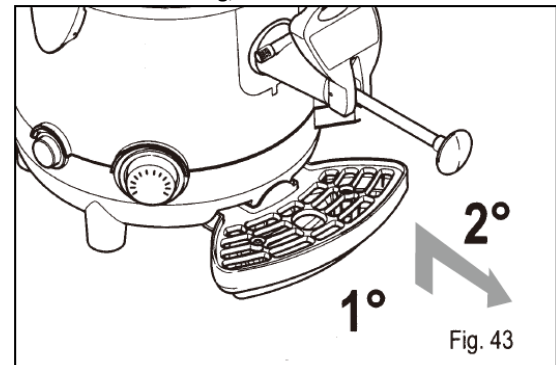


Fig. 43

- Wash the tray and grid separately with lukewarm water;
- Dry all of the components;
- Reposition the grid on top of the tray;
- Fit the tray back in place and press down to secure it to the machine.

7.11 CLEANING THE BOWL LID

- Remove the bowl lid from the machine;
- Clean the surface using a damp cloth and/or non-abrasive sponge soaked in sanitizing product;
- Rinse thoroughly using clean water.

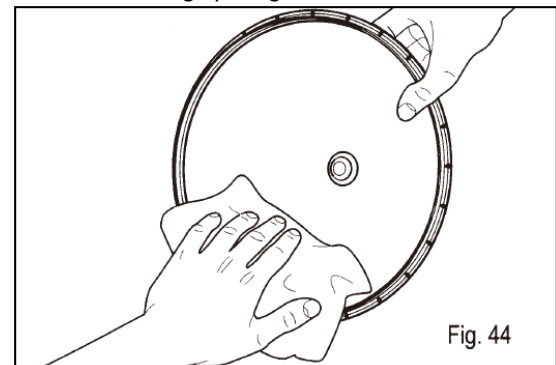


Fig. 44



7.12 EMPTYING THE BOILER



Warning: while the boiler is being emptied, the machine must be unplugged.



Warning: the boiler may be emptied only when the bowl is empty and the machine has cooled down sufficiently.



The use of water from the boiler tank for food purposes is strictly prohibited.

To empty the boiler, proceed as follows:

- Unplug the machine;
- Remove the drip tray, as described in the relevant paragraph 7.8;
- Remove the cap (A);

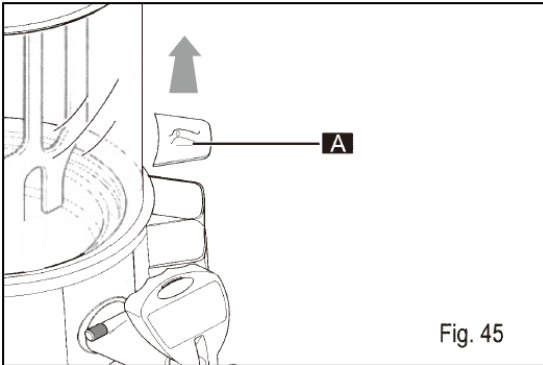


Fig. 45

- Place the machine on a flat surface and with the boiler tank water level indicator tray turned towards to the outer edge of the support surface;
- Place a container (B) with a capacity of more than 3 liters underneath the bleeder cap (C);
- Use a coin or Allen wrench to unscrew the bleeder cap;

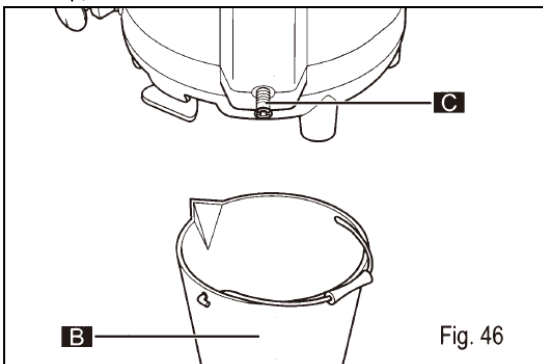


Fig. 46

- Pull out the cap (C) with a firm movement and wait for all the water to empty out from the boiler tank.

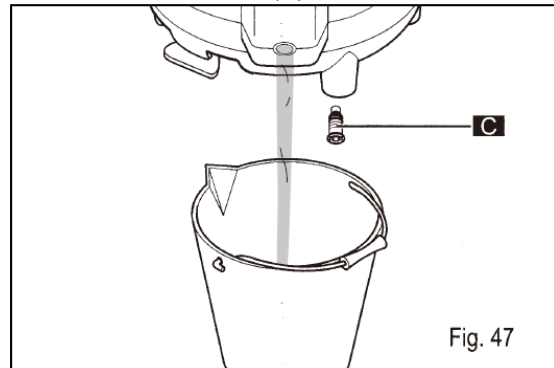


Fig. 47

7.13 CLEANING AND DESCALING THE BOILER TANK



The boiler tank needs to be descaled on a regular basis; this operation is recommended at least once every 3 months.

- Follow the steps for draining out the boiler tank, see paragraph 7.11;
- Insert and secure the boiler tank bleeder cap;
- Insert water plus scale remover for coffee machines into the tank (follow the instructions on the scale remover package);
- Leave the solution to act for the time indicated in the instructions of the solution itself;
- Empty out the solution from inside the boiler tank, see paragraph 7.11;
- Rinse out the tank with plenty of water, by filling and emptying it, see paragraphs 6.1 and 7.11.

7.14 RESETTING THE TEMPERATURE SENSOR



The temperature sensor can only be reset by a specialized technician, who must organize all of the operating sequences and the use of the correct equipment to operate in strict compliance with the current laws to this regard.



Warning: after the temperature sensor has intervened to shut down the machine, it is indispensable to drain out any product contained inside the bowl and to clean all components before restoring the machine functions.



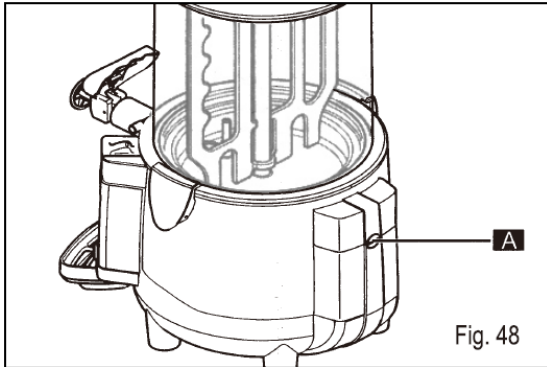
Warning: before resetting the temperature sensor, switch off the machine using the relevant switch and unplug it from the electricity mains, then wait for the machine to cool down.



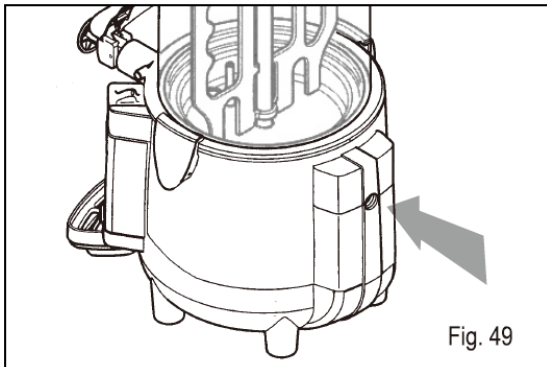
The operator is strictly prohibited from resetting the boiler tank minimum water level temperature sensor.



- Use a suitable tool to loosen and remove the protective screw (A);



- Use a suitable tool to press the button inside to restore normal machine operation.



7.15 PERIODIC MAINTENANCE



The machine must be periodically checked (at least once a year) by a specialized technician. This periodic check serves to ensure that all the components installed and the machine itself are maintained at a high level of safety.



Any worn components must be replaced by an original spare part.



It is forbidden to use the machine when even only one of its components is faulty or worn. Users are forbidden to perform periodic maintenance.

8. SCRAPPING



Electrical and electronic equipment needs to be disposed of according to the European Directive 2002/96/CE and in compliance with the standards and regulations in force to the country in which the machine is used. Such equipment may not be disposed of as normal municipal solid waste but must rather be separately collected to optimize recovery and recycling of the materials used to manufacture them.



All products are marked with the crossed out wheeled bin symbol are a reminder of separate collection obligations. Correct observance of all of the provisions for the disposal of end-of-life products will contribute to safeguarding the environment.

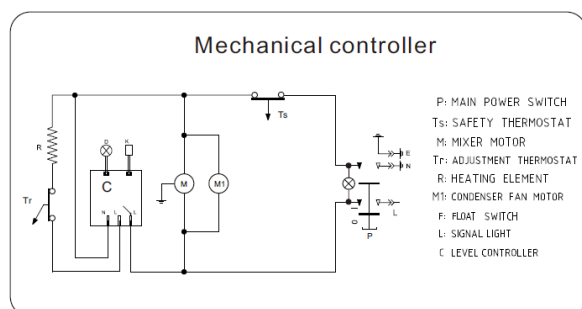
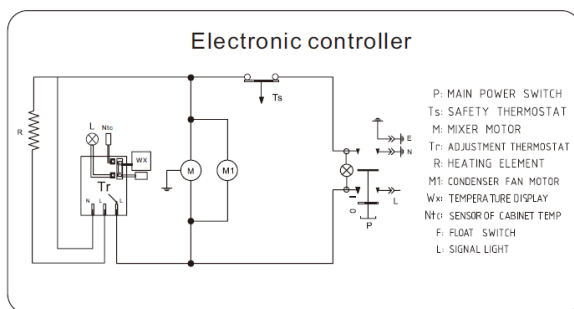


9. TROUBLESHOOTING

PROBLEM	CAUSE	REMEDY
Does not heat	No power	Make sure that the machine is plugged in properly.
	Switch set to -OFF-	Set the switch to -ON-
	Thermoprobe intervention	Reset the thermal protector as directed in section 7.14
	Thermostat on "O"	Adjust the thermostat
	The water level in the boiler tank has fallen below the minimum level, resulting the alarm system was on.	Top up the boiler tank
Alarm light is on with buzzing sounds	The water level in the boiler tank has fallen below te minimum level	Top up the boiler tank
Mixing paddle does not turn	No power	Make sure that the machine is plugged in properly
	The driving shaft is not properly in place	Remove the shaft and then insert it correctly as directed in section 7.8.1
	Thermoprobe intervention	Reset the thermal protector as directed in section 7.14
	Motor fault	Contact service personnel
	On/off switch on (0)	Press the switch on
Tap leaks	It has not been fit correctly	Empty the machine and fit the tap as directed in section 7.8.3
	The outlet and rubber are dirty	Empty the machine and clean the entire tap thoroughly; fit it back on the machine as directed in section 7.8.3
	The sealing gasket of the level tube needs replacing	Contact service personnel
Products leak from the bottom of the bowl	The bowl has not been fit correctly in place	Empty the machine, remove the bowl and fit in place according to the instructions provided in section 7.8.1
	The seal needs replacing	Contact service personnel
Machine shutdown	No water in the boiler tank	Top up the boiler tank

If the machine malfunctions due to causes other than those listed in this table or the proposed remedies do not solve the problem, contact a specialized technician

10. WIRING DIAGRAM





1. ALGEMENE INFORMATIE

1.1 FABRIKANT

De gegevens van de fabrikant staan op het identificatieplaatje, afgebeeld op de eerste en/of laatste pagina van de handleiding.

1.2 BEVOEGDE PERSONEN

Twee soorten personen mogen de machine voor verschillende doeleinden gebruiken.

Gebruiker

Een persoon die voldoende technische training heeft om de machine voor te bereiden om warme chocolademelk te schenken, met inachtneming van de huidige hygiënenormen.

Na het lezen van deze handleiding is hij in staat om:

- Normale productlaad- en/of vervangings-handelingen uit te voeren;
- Het product op de juiste manier te schenken;
- De machine te reinigen en te ontsmetten.

Gespecialiseerde technicus

Een persoon die deze handleiding heeft bestudeerd en een specifieke opleiding heeft gevolgd in de installatie, het gebruik en het onderhoud van de machine:

- Hij moet in staat zijn om reparaties uit te voeren in het geval van ernstige storingen en goed bekend zijn met deze handleiding en alle informatie met betrekking tot veiligheid;
- Hij moet de inhoud van de handleiding kunnen begrijpen en tekeningen en diagrammen correct kunnen interpreteren;
- Hij moet bekend zijn met de belangrijkste sanitaire, ongevallenpreventie-, technologische en veiligheidsnormen;
- Hij moet specifieke ervaring hebben in het onderhouden van machines voor het uitgeven van warme chocolademelk;
- Hij moet weten hoe hij zich moet gedragen in geval van nood, waar hij individuele veiligheidsuitrusting kan vinden en hoe hij deze op de juiste manier moet gebruiken.



Personen die niet aan de bovenstaande vereisten voldoen, mogen de machine niet gebruiken.

1.3 INDELING VAN DE HANDLEIDING

De Koper moet de informatie in deze handleiding zeer zorgvuldig lezen.

1.3.1 DOEL EN INHOUD

Het doel van deze handleiding is om de Koper te voorzien van alle benodigde informatie met betrekking tot de installatie, het onderhoud en het gebruik van de warme chocolademelkmachine.

Er zijn twee versies van de chocolademachine: 5L en 10L kom, maar de cijfers verwijzen altijd naar de 10-liter versie, omdat ze ook van toepassing zijn op de 5-liter versie.



Voordat u een handeling uitvoert aan de machine, moeten gebruikers en gespecialiseerde technici de instructies in dit document zorgvuldig lezen.

Mocht u twijfels hebben over de juiste interpretatie van deze instructies, neem dan contact op met de fabrikant om de nodige uitleg te vragen.



U mag geen enkele handeling uitvoeren voordat u de inhoud van deze handleiding hebt gelezen en grondig hebt begrepen.

1.3.2 WIE MOET DE HANDLEIDING LEZEN

Deze handleiding is bedoeld voor gebruikers en gespecialiseerde technici. **Gebruikers mogen geen handelingen uitvoeren die alleen door gekwalificeerde technici mogen worden uitgevoerd.**

De fabrikant is niet aansprakelijk voor schade of letsel als gevolg van het niet naleven van deze regel. De handleiding is een integraal onderdeel van het gekochte product en moet daarom worden overhandigd aan eventuele volgende eigenaren.

1.3.3 HOE DE HANDLEIDING TE BEWAREN

Deze handleiding moet in de directe omgeving van de machine worden bewaard. Er moeten passende voorzorgsmaatregelen worden genomen om ervoor te zorgen dat de handleiding intact en leesbaar blijft in de loop van de tijd:

- Gebruik de handleiding op een manier die voorkomt dat de inhoud ervan wordt beschadigd;
- Verwijder, scheur of herschrijf om welke reden dan ook geen delen van de handleiding;
- Bewaar de handleiding op een plaats die is beschermd tegen vochtigheid en hitte om de kwaliteit van de afdruk en de leesbaarheid van alle onderdelen te behouden.



Als de huidige handleiding beschadigd of verloren is, moet onmiddellijk een ander exemplaar worden aangevraagd bij de fabrikant of geautoriseerde distributeur in het land van de gebruiker.



1.3.4 GEBRUIKTE SYMBOLEN

ALGEMENE WAARSCHUWING VOOR GEVAREN



Dit geeft een gevaar aan dat de gebruiker ook in levensgevaar kan brengen. In dergelijke gevallen is uiterste voorzichtigheid geboden en moeten alle voorzorgsmaatregelen worden genomen om veilig te kunnen werken.

GEVAAR VOOR ELEKTROCUTIE



Hiermee wordt het betrokken personeel gewaarschuwd dat de beschreven handeling kan leiden tot een elektrische schok, tenzij alle noodzakelijke veiligheidsmaatregelen worden genomen.

BELANGRIJK



Dit geeft een waarschuwing, een opmerking over belangrijke functies of nuttige informatie aan. Er moet zeer goed worden opgelet op de tekstgedeelten die met dit symbool zijn gemarkeerd.

VERBODEN



Dit symbool wordt gebruikt om handelingen aan te geven die absoluut moeten worden vermeden, omdat ze gevaren opleveren voor de gebruiker en andere personen die zich in de buurt bevinden.

BRAND NIET MET WATER BLUSSEN



De aanwezigheid van dit symbool waarschuwt tegen het proberen om branden te blussen met water of een substantie die water bevat.

PERSOONLIJKE BESCHERMING



Wanneer dit symbool naast een beschrijving verschijnt, betekent dit dat persoonlijke veiligheidsuitrusting moet worden gebruikt, omdat er een impliciet risico op ongelukken bestaat.

GESPECIALISEERD TECHNICUS



Het identificeert handelingen die alleen door gekwalificeerd technisch personeel mogen worden uitgevoerd.

BEWEGENDE MACHINEONDERDELEN



Het identificeert het gevaar als gevolg van bewegende onderdelen die zich in de machine bevinden. Schakel de machine uit voordat u een handeling uitvoert.

2. BESCHRIJVING VAN DE MACHINE

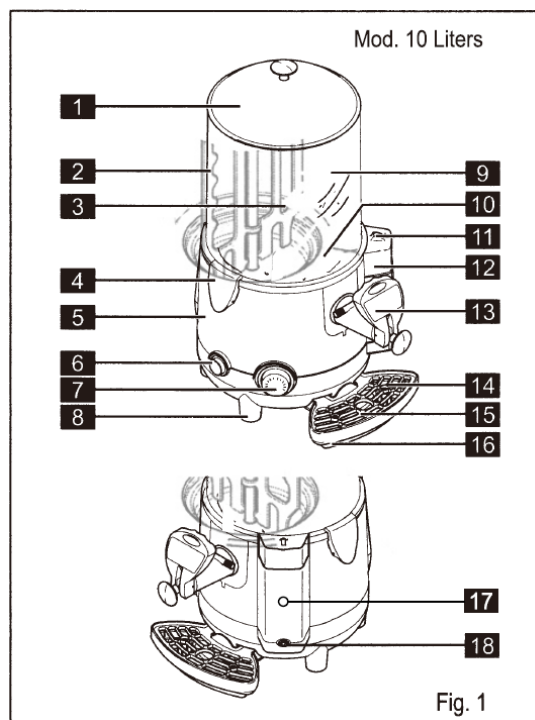
2.1 GEBRUIK VAN DE MACHINE

De machine voor professioneel gebruik die u hebt gekocht, is bedoeld om warme chocolademelk te produceren.

2.2 HOOFDONDERDELEN

De belangrijkste onderdelen van de machine zijn:

1. Deksel van de kom
2. Kom (5 of 10 liter)
3. Mengvijzel
4. Handgrepen voor het ophangen van de kom
5. Machinebehuizing
6. Hoofdschakelaar
7. Chocolade, temperatuurregelaar (°C/°F)
8. Onderste behuizing
9. Mixer
10. Pan
11. Deksel voor de waterniveau-indicatorbak van de boilertank
12. Waterniveau-indicatorbak van de boilertank
13. Productdispenser (kraan)
14. Indicator voor maximaal niveau van de lekbak
15. Rooster van de lekbak
16. Lekbak
17. Oververhittingsbeveiliging
18. Afvoerdop van de boilertank

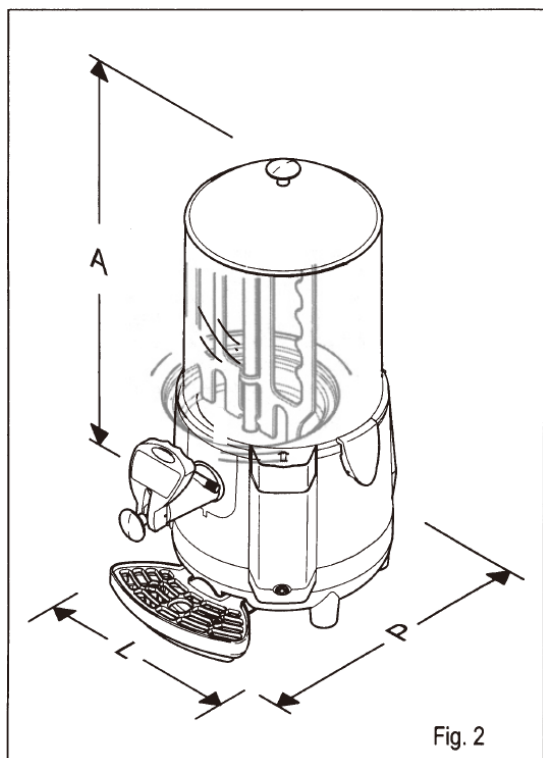




2.3 TECHNISCHE GEGEVENS

De technische gegevens en functies staan hieronder vermeld.

Model	7537.0020	7537.0025
Afmetingen van de machine (BxDxH)	280x410x56 4 mm	280x410x58 0 mm
Gewicht (kom leeg)	7.3 kg	8 kg
Maximale elektrische invoer (W)	Zie typeplaatje aan de zijkant van de machine	
Bedrijfsspanning (V)		
Omgevingstemperatuur	Min. 10°C (50°F) Max. 32°C (89.6°F)	
Aantal kommen	1	1
Capaciteit van elke kom	5 liter	10 liter
Geluidsniveau	<< 70 dB	
Klasse	N	



Let op: de fabrikant behoudt zich het recht voor om zonder voorafgaande kennisgeving wijzigingen aan de machine aan te brengen.



Belangrijk: alle wijzigingen en/of toevoegingen van accessoires moeten expliciet door de fabrikant worden goedgekeurd en geïmplementeerd.

3. VEILIGHEID



3.1 ALGEMENE VEILIGHEIDSREGELS

- Lees de volledige gebruiksaanwijzing zorgvuldig door.
- De aansluiting op het elektriciteitsnet moet voldoen aan de huidige veiligheidsnormen in het land van de gebruiker.
- De machine moet worden aangesloten op een stopcontact dat:
 - compatibel is met de stekker die bij de machine is geleverd;
 - afmetingen heeft die overeenkomen met de gegevens op het typeplaatje aan de zijkant van de machine;
 - goed geaard is;
 - is aangesloten op een systeem dat is voorzien van een differentieelschakelaar en stroomonderbreker;
 - is aangesloten op een systeem dat is gecertificeerd volgens de huidige normen en voorschriften in het land van gebruik.
- Het netsnoer mag niet:
 - in contact komen met welke vloeistof dan ook: gevaar voor elektrische schokken en/of brand;
 - worden geplet en/of in contact worden gebracht met scherpe oppervlakken;
 - worden gebruikt om de machine te verplaatsen;
 - worden gebruikt als er schade is;
 - worden gehanteerd met vochtige of natte handen;
 - worden opgerold als de machine aan staat;
 - ermee wordt geknoeid.
- NIET DOEN:
 - Installeer de machine op een andere manier dan beschreven in Hoofdstuk 5.
 - Installeer de machine op een plaats waar deze kan worden blootgesteld aan waterstralen.
 - Gebruik de machine in de buurt van ontvlambare en/of explosieve stoffen.
 - Laat plastic zakken, piepschuim, spijkers, enz. binnen het bereik van kinderen, aangezien ze een potentiële bron van gevaar vormen.
 - Laat kinderen spelen en blijf in de buurt van de machine.
 - Gebruik andere reserveonderdelen dan die welke door de fabrikant worden aanbevolen.
 - Breng technische wijzigingen aan de machine aan.
 - Dompel de machine onder in welke vloeistof dan ook.
 - Spuit water op de machine om deze te wassen.
 - Gebruik de machine op een andere manier dan zoals aangegeven in deze handleiding.



- Gebruik de machine wanneer u niet volledig in het bezit bent van uw mentale en fysieke vermogens: onder invloed van drugs, alcohol, enz.
- Installeer de machine bovenop andere apparatuur.
- Gebruik de machine in een explosieve of agressieve atmosfeer of in de aanwezigheid van een hoge concentratie stof of olieachtige stoffen in de lucht.
- Gebruik de machine op een plaats waar brandgevaar bestaat.
- Gebruik de machine om stoffen te doseren die niet compatibel zijn met de specificaties van de machine.
- Reinig of onderhoud de machine wanneer de hoofdschakelaar op AAN staat of wanneer de stekker in het stopcontact zit.
- Dit apparaat is niet bedoeld voor gebruik door personen (inclusief kinderen) met verminderde fysieke, sensorische of mentale vermogens, of gebrek aan ervaring en kennis, tenzij zij toezicht of instructies hebben gekregen over het gebruik van het apparaat door een persoon die verantwoordelijk is voor hun veiligheid.
- Kinderen moeten onder toezicht staan om ervoor te zorgen dat ze niet met het apparaat spelen.
- Voordat u het apparaat schoonmaakt, moet u ervoor zorgen dat de stekker uit het stopcontact is; wacht tot het apparaat voldoende is afgekoeld.
- Maak het apparaat niet schoon met benzine en/of oplosmiddelen van welke aard dan ook.
- Reparatiwerkzaamheden mogen alleen worden uitgevoerd door een door de fabrikant geautoriseerd servicecentrum en/of gespecialiseerd, opgeleid personeel.
- Plaats het apparaat niet in de buurt van verwarmingsapparatuur, zoals fornuizen of radiatoren.
- Gebruik in geval van brand kooldioxide (CO₂)-blussers. Gebruik geen water- of poederblussers.



Bij oneigenlijk gebruik vervalt het recht op garantie en aanvaardt de fabrikant geen enkele aansprakelijkheid voor letsel of schade aan personen en/of goederen.

Het volgende wordt beschouwd als onjuist gebruik:

- Elk ander gebruik dan het beoogde gebruik en/of met andere methoden dan hierin beschreven;
- Elke handeling aan de machine die in strijd is met de hierin verstrekte instructies;
- Gebruik van de machine nadat er met componenten is geknoeid en/of veiligheidsvoorzieningen zijn gewijzigd;
- Gebruik van de machine nadat deze is gerepareerd met componenten die niet door de fabrikant zijn geautoriseerd;
- Buiteninstallatie van de machine.

3.2 STOPFUNCTIES

De machine wordt uitgeschakeld door de aan/uitschakelaar uit te zetten.

3.3 PLATES

GEEN VAN DE PLATEN OF LABELS DIE OP DE MACHINE ZIJN MEEGELEVERD, MOET WORDEN VERWIJDERD, AFGEDEKT OF BESCHADIGD, MET NAME DIE MET BETREKKING TOT VEILIGHEID. IN GEVAL VAN SCHADE AAN EEN VAN DE BEOORDELINGSPLATEN OP DE MACHINE, NEEM DAN CONTACT OP MET DE FABRIKANT VOOR EEN VERVANGING.

3.4 NOODSITUATIES



Waarschuwing: om de machine in een noodsituatie te stoppen, drukt u stevig op de hoofdschakelaar zodat deze op -UIT- staat.



In geval van brand is het noodzakelijk om het gebied vrij te maken zodat getraind personeel met de juiste beschermingsmiddelen kan ingrijpen. Gebruik altijd goedgekeurde blusmiddelen en gebruik nooit water of stoffen van onzekere aard.

4. BEHANDELING EN OPSLAG



Alle handelingen die in Hoofdstuk 4 worden beschreven, mogen uitsluitend worden uitgevoerd door technici die ook gespecialiseerd zijn in het tillen en hanteren van verpakte of onverpakte machines. Zij moeten alle operationele sequenties organiseren en geschikte apparatuur gebruiken, afhankelijk van de kenmerken en het gewicht van het te hanteren object en in strikte overeenstemming met de geldende regelgeving.

4.1 VERPAKKING

De machine wordt gebruiksklaar en in een kartonnen doos verzonden. De kartonnen doos bestaat uit een basis en een deksel, die met twee nylon banden aan elkaar zijn vastgemaakt.

Afmetingen en gewicht van de verpakingscontainer

MODEL	BREEDTE	DIEPTE	HOOGTE	GEWICHT
7537.0020	385 mm	385 mm	525 mm	9.2 kg
7537.0025	385 mm	385 mm	645 mm	10.2 kg

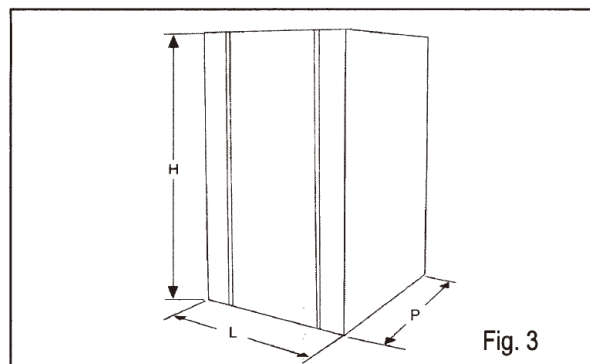


Fig. 3



Let op: de afmetingen en het gewicht van de verpakking zijn bij benadering.

4.2 TRANSPORT EN BEHANDELING



Zorg ervoor dat er niemand binnen het bereik van de hef- en hanteringswerkzaamheden staat. In moeilijke omstandigheden moet er gespecialiseerd personeel worden aangesteld om toezicht te houden op de bewegingen van de machine. Voor het handmatig hanteren van de machine is ten minste één persoon nodig.

Til de doos op en vervoer deze voorzichtig, waarbij u routes met obstakels vermijdt. Let op de totale afmetingen en eventuele uitstekende onderdelen.



Waarschuwing: maak geen extra sneden in de verpakkingcontainer.

De garantie dekt geen schade die aan de machine is toegebracht tijdens het transport en de behandeling ervan.

De koper draagt de kosten voor het repareren of vervangen van beschadigde onderdelen. In gebruiksomstandigheden mag de machine alleen recht op worden verplaatst nadat:

- De inhoud van de kom is geleegd (zie paragraaf 7.2);
- De boiler is leeggemaakt van water (zie paragraaf 7.12).



Waarschuwing! De machine mag alleen worden verplaatst als deze voldoende is afgekoeld.

4.3 OPSLAG



Voordat de machine wordt opgeslagen en wanneer de machine na een periode van opslag weer wordt opgestart, moet deze grondig worden gereinigd en ontsmet.

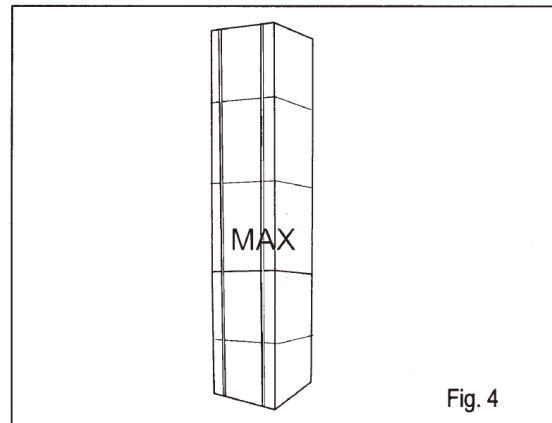


Maak de boilertank leeg voordat u de machine opslaat.

Waarschuwing: plaats niet meer dan 5 machines op elkaar.

Als de machine gedurende een langere periode niet wordt gebruikt, moeten de nodige voorzorgsmaatregelen worden genomen met betrekking tot de plaats en de duur van de opslag:

- Sla de machine op in een afgesloten ruimte;
- Bescherm de machine tegen schokken en spanningen;
- Bescherm de machine tegen vochtigheid en grote temperatuurschommelingen;
- Voorkom dat de machine in contact komt met bijtende stoffen.



5. INSTALLATIE

Alle handelingen die in Hoofdstuk 5 worden beschreven, mogen uitsluitend worden uitgevoerd door gespecialiseerde technici, die alle operationele sequenties moeten organiseren en geschikte apparatuur moeten gebruiken, in strikte overeenstemming met de geldende regelgeving.

De machine moet binnenshuis worden geïnstalleerd in een goed verlichte en goed geventileerde ruimte met een stevige, solide, vlakke vloer (helling minder dan 2°); plaats de machine tijdens de installatie buiten bereik van kinderen en onbevoegde personen.



De machine is van het type met toezicht en moet worden geïnstalleerd op plaatsen waar deze kan worden bewaakt door getraind personeel.



Waarschuwing: het is verboden om de machine te installeren op een plaats waar deze kan worden bereikt, aangeraakt en/of bediend door andere personen dan die gespecificeerd in sectie "1.2 - Geautoriseerde personen".

De machine mag alleen worden gebruikt op plaatsen met een omgevingstemperatuur tussen 10°C en 32°C (50°F en 89,6°F).

5.1 MEEGELEVERDE ACCESSOIRES

Pijpenrager: voor het correct reinigen van het kanaal voor de uitgifte van warme chocolademelk.

5.2 INSTALLATIE-POSITIONERING

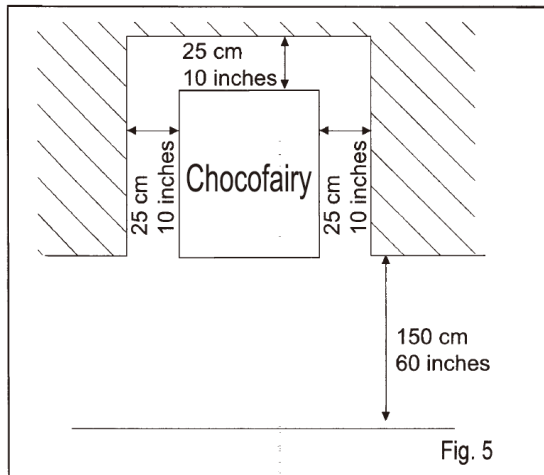
Het is noodzakelijk om het volgende te controleren:

- De locatie is naar behoren voorbereid voor de installatie van de machine;
- Dat de ruimte voldoende verlicht, geventileerd, schoon en hygiënisch is en dat het stopcontact gemakkelijk bereikbaar is;
- Het oppervlak waarop de machine wordt geïnstalleerd, stevig, vlak en solide is;
- Dat de machine ten minste 20 cm van de rand van de gebruikte bovenkant wordt geplaatst.



Er moet voldoende ruimte rond de machine worden gelaten, zodat personeel zonder beperkingen kan werken en het werkgebied in geval van nood onmiddellijk kan verlaten.

Afb. 5 toont de minimale ruimte voor installatie. Let op: laat 25 cm ruimte over in het bovenste gedeelte.



Afb. 5 toont de benodigde speling voor toegang:

- De bedieningselementen bevinden zich aan de linkerkant;
- Onderdelen van de machine, zodat deze in geval van een storing kunnen worden onderhouden.



Belangrijke opmerking: gebruik bij het optillen van de machine niet de productdispenser (kraan), afvoerpijp, waterniveau-indicatorbak, komhaak op handgrepen of de kom zelf; pak de onderkant van de machine vast. Schade aan de machine die voortvloeit uit het niet naleven van deze regels, valt niet onder de garantie.

Ga na het plaatsen van de verpakkingcontainer in de buurt van de installatieplaats als volgt te werk:

- Open het voorste deel van de verpakkingcontainer;
- Til de machine op en haal deze uit de verpakking;
- Plaats deze vervolgens op de voorbereide locatie.



Voordat de machine voor het eerst wordt gebruikt, moeten de onderdelen grondig worden gereinigd. Voor meer informatie, zie de relevante sectie hierin.

5.3 AFVOER VAN VERPAKKINGSMATERIALEN

Zorg ervoor dat u na het openen van de doos de verpakkingmaterialen scheidt op type en gooi ze weg in overeenstemming met de huidige regelgeving in het land van de gebruiker. Wij raden aan de doos te bewaren voor toekomstig transport.

5.4 ELEKTRISCHE AANSLUITING



Deze taak mag alleen worden uitgevoerd door gespecialiseerd technisch personeel.

Voordat u de stekker in het stopcontact steekt, moet u ervoor zorgen dat:

- De gebruikte netspanning overeenkomt met de waarde die op het typeplaatje van de fabrikant staat;
- De hoofdschakelaar op -UIT- staat.

Als de machine voor het eerst op het elektriciteitsnet wordt aangesloten, moet deze handeling worden uitgevoerd door een gespecialiseerde technicus, terwijl de klant verantwoordelijk is voor en moet zorgen voor eventuele latere aansluitingen.

De machine moet worden aangesloten op het elektriciteitsnet met behulp van de stekker die op het netsnoer is bevestigd. Zorg ervoor dat u voldoet aan:

- De technische voorschriften en normen die van kracht zijn op het moment van installatie;
- De gegevens die op het typeplaatje aan de zijkant van de machine staan.



Waarschuwing: het stopcontact moet zich op een plaats bevinden die gemakkelijk bereikbaar is voor de gebruiker, zodat u de machine indien nodig zonder moeite van het stroomnet kunt loskoppelen.

Als het netsnoer beschadigd is, moet u het laten vervangen door de fabrikant of een gespecialiseerde technicus.

Het is verboden:



- verlengsnoeren van welk type dan ook te gebruiken;
- de originele stekker te vervangen;
- adapters te gebruiken.

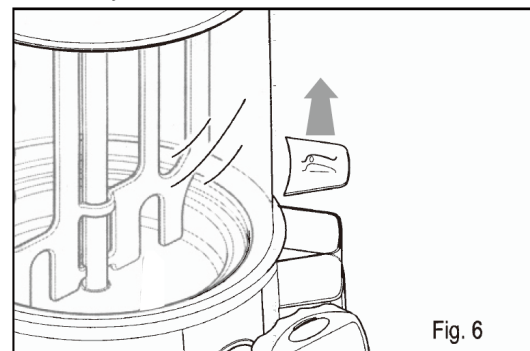
6. BEDIENING

Voordat de machine voor de eerste keer wordt opgestart, moet gespecialiseerd technisch personeel controleren of deze goed functioneert.

6.1 OPSTARTEN

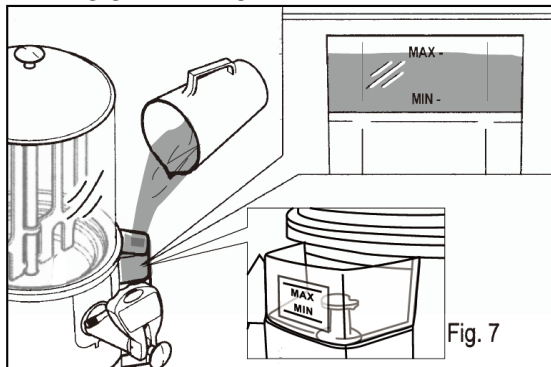
Om de machine op te starten, voert u de volgende stappen uit:

- Zorg ervoor dat de hoofdschakelaar op UIT staat.
- Verwijder het deksel.





- Vul de boiler tank met water met behulp van de boiler tankniveau-indicatorbak, totdat het de maximale waarde bereikt die op de bak zelf is aangegeven, die is gemarkeerd met -MAX-.



Waarschuwing: vul de boiler tank door er langzaam water in te gieten en controleer een paar seconden of het waterniveau het -MAX-niveau heeft bereikt en stabiel is.

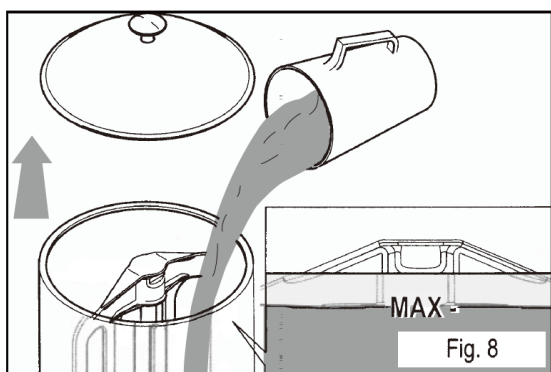


Wanneer u een lege boiler tank voor de eerste keer vult, is de hoeveelheid water die nodig is om de tank volledig te vullen ongeveer 3,25 liter.



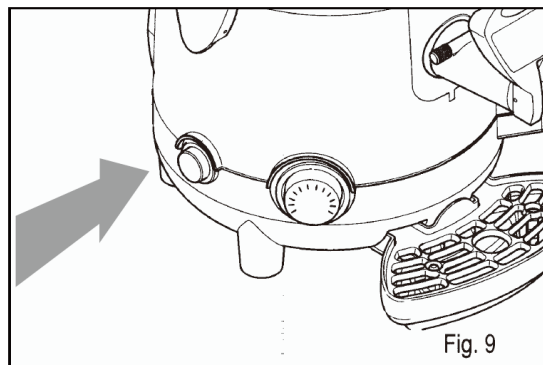
Zodra het alarmlampje brandt met een zoemend geluid, vult u de boiler tank opnieuw met water, om oververhitting en schade aan de machine te voorkomen.

- Verwijder het deksel en giet de drank die volgens de instructies van de fabrikant is bereid in de kom.
- Overschrijd nooit het maximumniveau, dat op de schaal zelf is gemarkeerd met -MAX-.

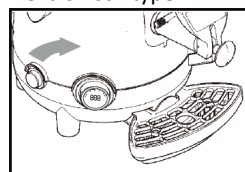


- Plaats het deksel terug nadat u het product in de kom hebt gegoten.
- Zorg ervoor dat de stekker in het stopcontact zit.
- Druk op de hoofdschakelaar om de machine te starten, het product in de kom wordt gemengd.

LED: -MACHINE AAN-
LED uit: -MACHINE UIT-

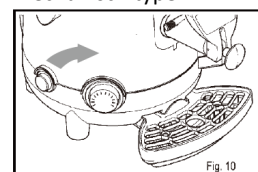


Elektronisch type



Stel de temperatuur in met de draaiknop, dan zal de thermostaat de huidige temperatuur weergeven.

Mechanisch type



Stel de thermostaat in op de gewenste temperatuur om het product in de kom te verwarmen.



Waarschuwing: schakel de machine uit met de hoofdschakelaar (LED uit) tijdens de kom en/of boiler.



Waarschuwing: controleer of het waterniveau nooit onder het minimumniveau komt, dat is gemarkeerd met -MIN-; dit voorkomt dat de machine wordt uitgeschakeld.



Waarschuwing: laat de machine nooit werken zonder water in de boiler, omdat dit het verwarmingselement zou beschadigen.

Een temperatuursensor schakelt in ieder geval de stroom naar het verwarmingselement uit als er geen water in de boiler zit. Om de machine weer normaal te laten werken, drukt u op de drukknop onder de basis.



Waarschuwing: er wordt nog steeds stroom naar de machine geleverd, zelfs tijdens het uitschakelen.



Waarschuwing: voor een correcte werking van de machine, gebruikt u alleen gedemineraliseerd water in de boiler tank.



6.2 PRODUCT AFGIFTE



Waarschuwing: het product dat uit de machine komt, heeft een zeer hoge temperatuur; risico op verbranding.

Ga als volgt te werk om warme chocolademelk af te geven:



Het is raadzaam om de staaf in de maximale afgiftepositie te houden om het product met de vereiste snelheid te laten stromen.

- Plaats een kopje onder de kraan;
- Gebruik de hendel op de kraan (het product wordt afgegeven wanneer de hendel wordt ingedrukt of getrokken) totdat de vereiste hoeveelheid product in het kopje is gegoten;
- Laat de kraanhendel geleidelijk los zodat deze terugkeert naar de stand-bypositie (kraan uit).

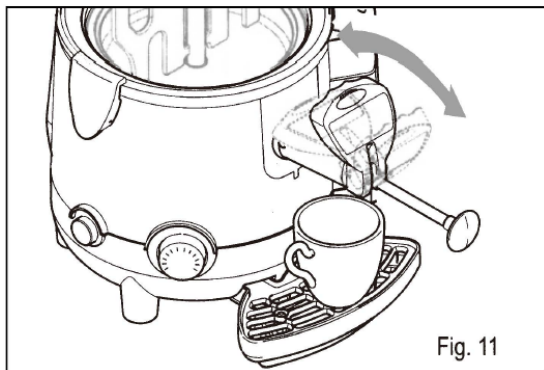


Fig. 11

Als het product bijzonder dik is, is het raadzaam om de staaf in de maximale stand uitgetrokken te houden; verstoppingen in de afgifteleiding kunnen worden verwijderd door de staaf heen en weer te schuiven terwijl u de machine vasthoudt, zoals afgebeeld in Afb. 12.

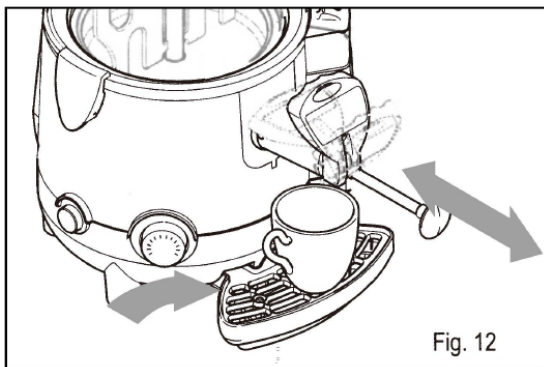


Fig. 12



Waarschuwing: raak de kom of het deksel nooit aan terwijl de machine in werking is, omdat deze erg heet zijn. Gebruik altijd de knop om het deksel van de kom te verplaatsen.

7. REINIGING EN ONDERHOUD



De reiniging en het onderhoud van de machine moeten worden uitgevoerd met de hoofdschakelaar op -UIT- en de stekker van de machine uit het stopcontact.



Waarschuwing: controleer elke keer dat de kom wordt gevuld met een product (voedsel of ontsmettingsmiddel) of de mengstaaf aanwezig is.



Waarschuwing: wacht tot de machine voldoende is afgekoeld voordat u met een reinigingsklus begint.



Waarschuwing: het gebruik van schurende en/of metalen sponzen om de machine of de onderdelen ervan te reinigen is ten strengste verboden; gebruik alleen een vochtige doek en/of een niet-schurende spons voor het reinigen.



Waarschuwing: gebruik alleen de meegeleverde reinigingsborstel om het kanaal tussen de tank en de kraan te reinigen (zie paragraaf 7.5, afbeelding 25); gebruik deze borstel nooit om andere onderdelen te reinigen.



Draag de persoonlijke beschermingsmiddelen (handschoenen, bril, enz.) die worden aanbevolen door de veiligheidsnormen die van kracht zijn in het land waar de machine wordt gebruikt, voordat u reinigings- en onderhoudswerkzaamheden aan de machine uitvoert.

Volg deze instructies bij het uitvoeren van de reinigings- en onderhoudswerkzaamheden:

- Draag beschermende handschoenen die bestand zijn tegen ongevallen;
- Gebruik geen oplosmiddelen of ontvlambare materialen;
- Gebruik geen schurende en/of metalen sponzen om de machine en de onderdelen ervan te reinigen;
- Zorg ervoor dat er geen vloeistoffen in de omgeving worden verspreid;
- Was de onderdelen van de machine niet in een vaatwasser;
- Droog onderdelen van de machine niet in een conventionele oven en/of magnetron;
- Dompel de machine niet onder in water;
- Stel de machine niet bloot aan directe waterstralen;
- Reinig alleen met warm water en een ontsmettingsmiddel gemaakt van natriumhypochloriet verdund in water om een actieve chlorideconcentratie van 0,02% te verkrijgen.
- Zorg er na voltooiing van de werkzaamheden voor dat alle beschermkappen en kappen die zijn verwijderd of geopend, weer op hun plaats zijn gezet en goed zijn vastgezet.



Reiniging en ontsmetting zijn werkzaamheden die met de grootste zorg en op regelmatige basis moeten worden uitgevoerd om de kwaliteit van de verstrekte dranken en de naleving van de verplichte hygiënenormen te garanderen.



Elke kom moet minstens om de 2 dagen worden gereinigd en ontsmet voor een productwissel en in ieder geval in overeenstemming met de huidige hygiënevoorschriften in het land van de gebruiker. Deze handelingen moeten vaker worden uitgevoerd als de kenmerken van het gebruikte product dit vereisen; neem voor meer informatie contact op met de leverancier van het product.



De metalen, plastic en rubberen materialen die worden gebruikt om deze onderdelen te maken, in combinatie met hun specifieke vormen, maken het schoonmaken gemakkelijker, maar voorkomen niet de vorming van bacteriën en schimmels in het geval van onvoldoende reiniging.

7.1 REINIGINGS- EN ONTSMETTINGS-PROCEDURE

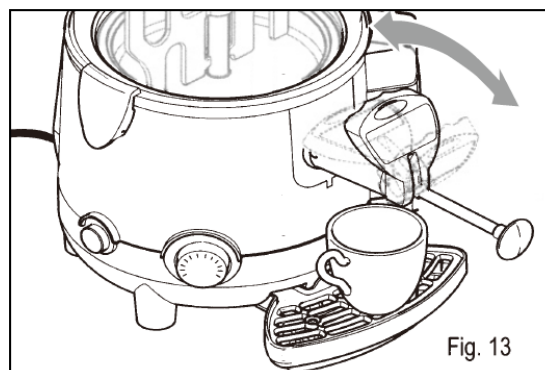
Ga bij het uitvoeren van reinigings- en ontsmettingswerkzaamheden te werk zoals hieronder beschreven:

- Leeg het product uit de kom (zie paragraaf 7.2)
- Haal de kom uit de machine (zie paragraaf 7.3)
- Haal de kraan uit de machine (zie paragraaf 7.4)
- Maak de pan schoon (zie paragraaf 7.5)
- Demonteer de kraan die eerder van de machine is verwijderd (zie paragraaf 7.6)
- Was en ontsmet de onderdelen van de machine (zie paragraaf 7.7)
- Plaats de kom terug op de machine (zie paragraaf 7.8.1)
- Gebruik een vochtige doek en/of een niet-schurende spons gedrenkt in ontsmettingsmiddel om de kraankoppeling te reinigen
- Monteer de kraan weer (zie paragraaf 7.8.2)
- Plaats de kraan op de machine (zie paragraaf 7.8.3)
- Voer de ontsmettingsprocedure uit voor de binnenkant van de machine (zie paragraaf 7.9)
- Reinig de lekbak (zie paragraaf 7.10)
- Reinig het deksel van de kom met een vochtige doek en/of een niet-schurende spons (zie paragraaf 7.11)
- Leeg de boilertank (zie paragraaf 7.12)
- Reinig en ontkalk de boilertank (zie paragraaf 7.13)

7.2 DE KOM LEGEN

Voordat u de kom schoonmaakt, moet u eerst alle producten eruit halen.

Terwijl de machine aan staat, gooit u alle producten die nog in de kom zitten eruit met behulp van de hendel op de kraan.



Vul de kom met water en stel de thermostaat in op 50°C (122°F). Laat het apparaat ten minste 15-20 minuten werken; als u deze tijd verlengt, komen alle productresten die aan de zijkanten van de kom vastzitten los. Giet de hele inhoud van de kom eruit met behulp van de hendel op de kraan.



Let op: het product dat uit de machine komt, heeft een zeer hoge temperatuur; risico op verbranding.

7.3 DE KOM VERWIJDEREN



Let op: voordat u de kom verwijdert, moet u ervoor zorgen dat de hoofdschakelaar is uitgeschakeld en dat de machine is losgekoppeld van het elektriciteitsnet en voldoende is afgekoeld.



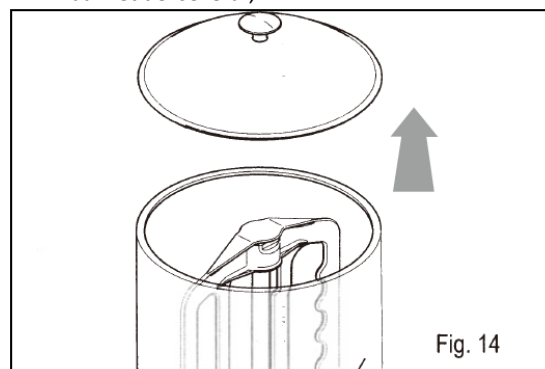
Het is verboden de kom te verwijderen als deze product of een andere vloeistof bevat.



Het is van fundamenteel belang om de kom en de onderdelen ervan te verwijderen als de machine correct moet worden gereinigd en ontsmet.

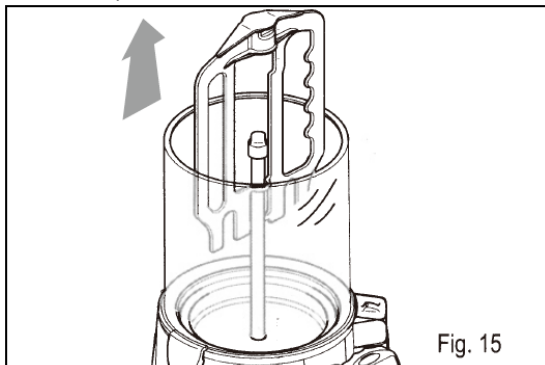
Om de kom correct te verwijderen, gaat u als volgt te werk:

- Haal het deksel eraf;

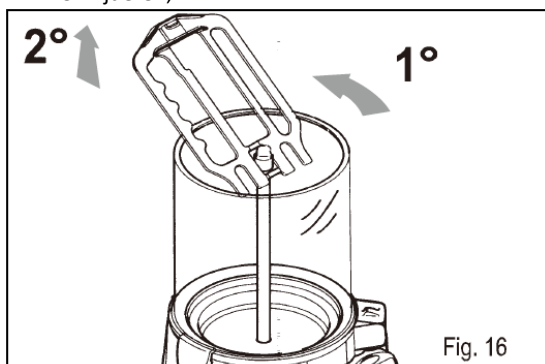




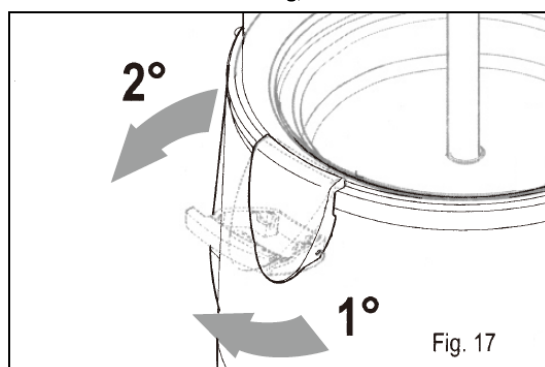
- Schuif de mixer omhoog om hem te verwijderen, houd hem in lijn met de centrale stang totdat de onderste gleuf van de mixer zelf gelijk is met de rotatiepen;



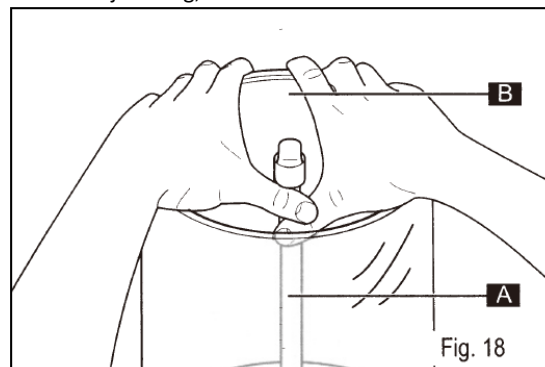
- Kantel de mixer en schuif hem omhoog, zoals afgebeeld in de afbeelding, om hem volledig te verwijderen;



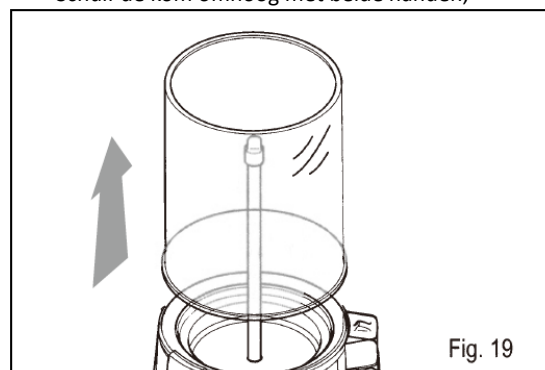
- Maak de haakhandgrepen van de kom los, zoals afgebeeld in de afbeelding, om de kom los te maken van de machinebehuizing;



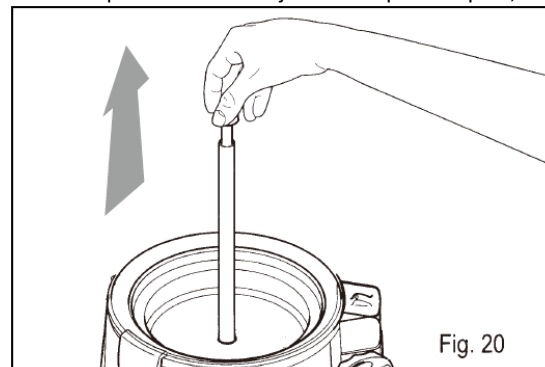
- Maak de kom los van de machinebehuizing door hem met twee vingers los te wrikken van het vaste stalen deel van de mengvijzel (A) en de andere vingers om de buitenrand van de kom vast te pakken (B): trek de kom geleidelijk harder totdat hij loskomt van zijn zitting;



- Schuif de kom omhoog met beide handen;

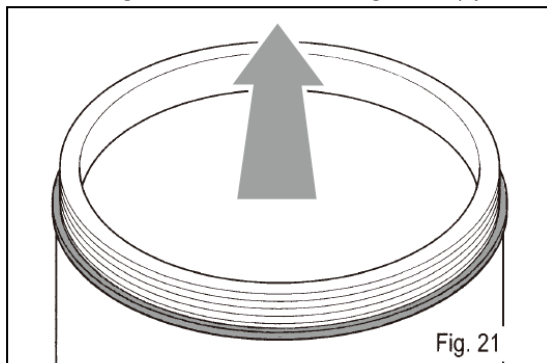


- Schuif de mengvijzel met één hand omhoog, waarbij u erop let dat u deze bij de rotatiepen vastpakt;





- Plaats de kom op een vlakke ondergrond en verwijder de pakking met beide handen door deze omhoog te schuiven in de richting van de pijl.



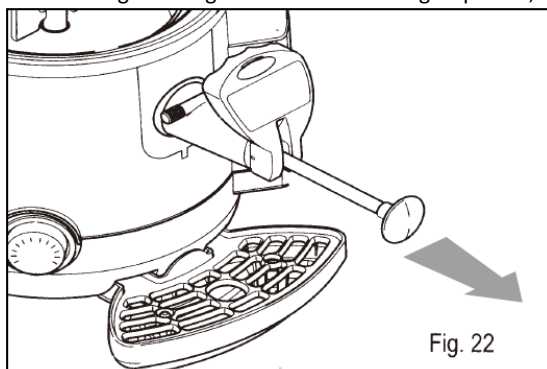
7.4 DE KRAAN VERWIJDEREN



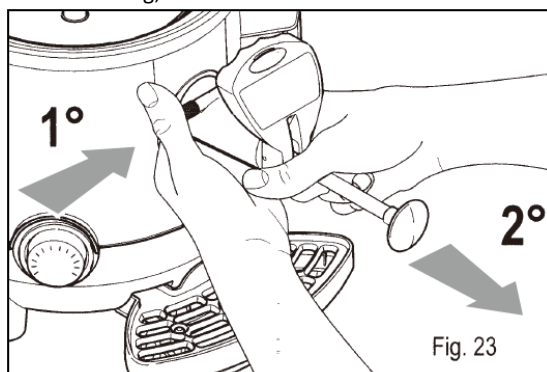
De kraan verwijderen is verboden als de kom het product of een andere vloeistof bevat.

Ga als volgt te werk om de kraan te verwijderen:

- Beweeg de stang naar de maximale afgiftepositie;



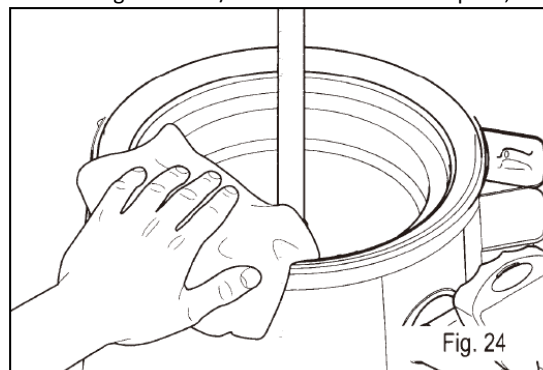
- Druk op de knop (A) waarmee de kraan aan de machine is bevestigd en verwijder vervolgens de kraan (B) met beide handen, zoals afgebeeld in de afbeelding;



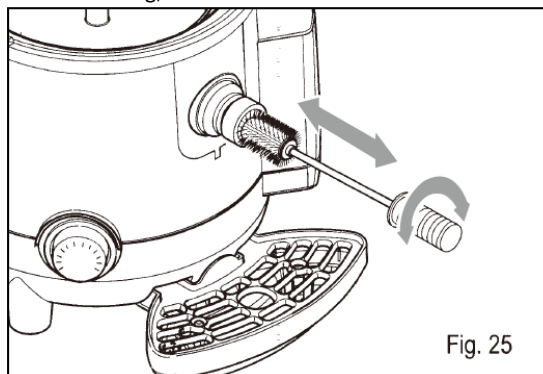
7.5 DE PAN SCHOONMAKEN

Het is noodzakelijk om alle onderdelen die aan de pan zijn bevestigd te verwijderen.

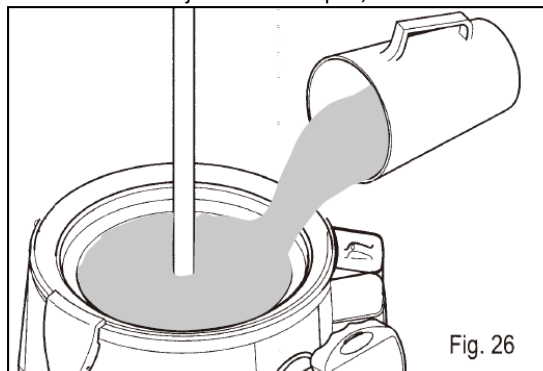
- Verwijder alle in de kom achtergebleven producten, zie paragraaf 7.2;
- Haal de kom uit de machine, zie paragraaf 7.3;
- Haal de kraan uit de machine, zie paragraaf 7.4;
- Reinig het hele oppervlak van de pan met een vochtige doek en/of een niet-schurende spons;



- Reinig het kanaal dat de kom met de kraan verbindt met een reinigingsborstel, zoals afgebeeld in de afbeelding;



- Plaats de kraan terug;
- Giet een beetje water in de pan;



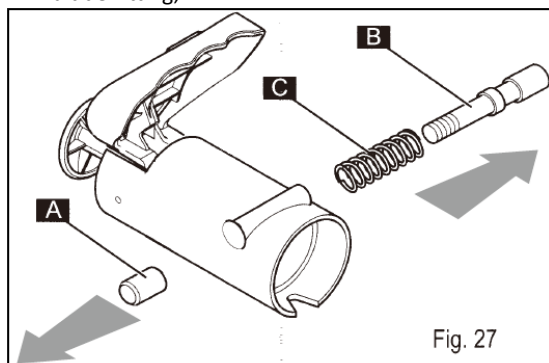
- Gebruik de kraan om al het water uit de pan te laten lopen om eventuele kleine productresten in het afgiftekanaal te verwijderen.



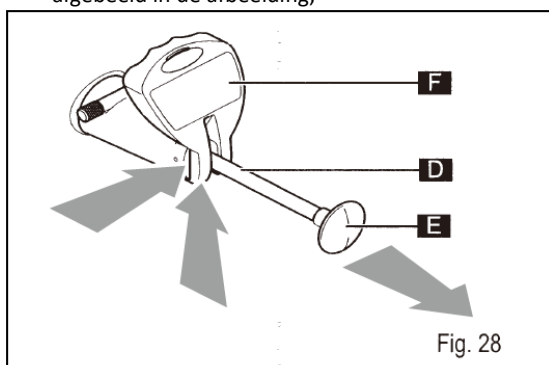
7.6 DE KRAAN DEMONTEREN

Om de binnenkant van de kraan grondiger te reinigen, demonteert u deze als volgt:

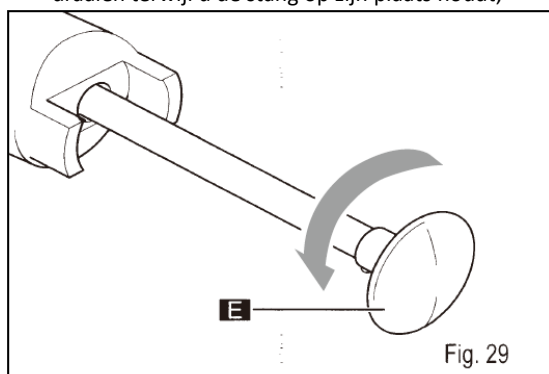
- Verwijder de kraan, volg de stappen die in paragraaf 7.4 staan;
- Plaats de kraan op een schoon, vlak oppervlak, draai vervolgens de schroef (A) los die de knop aan de machine bevestigt en verwijder deze, schuif vervolgens de pen (B) en de bijbehorende veer (C) uit de zitting;



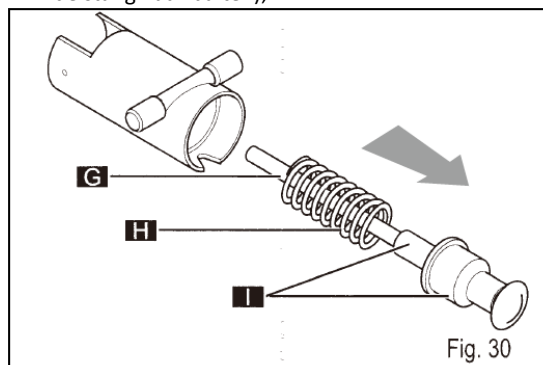
- Trek de stang (D) helemaal uit de knop (E) en duw vervolgens de hendel (F) vanaf de onderkant omhoog totdat deze uit de pengeleider komt, zoals afgebeeld in de afbeelding;



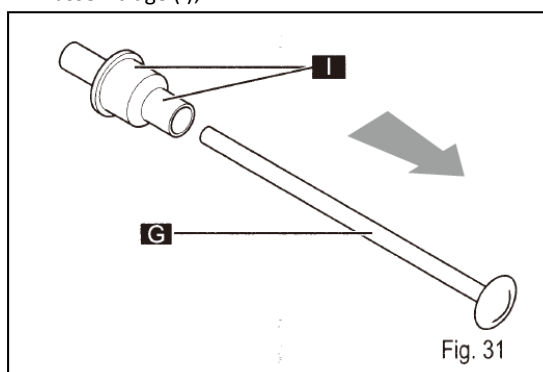
- Draai de knop (E) los door deze tegen de klok in te draaien terwijl u de stang op zijn plaats houdt;



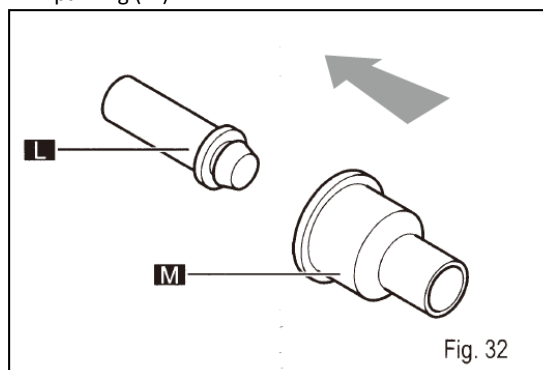
- Trek de stang (G) en de veer (H) uit het kraanlichaam (de pen/pakking-assemblage (I) schuift samen met de stang naar buiten);



- Maak de stang (G) los van de pen/pakking-assemblage (I);



- Demonteer (door te trekken) de pen (L) van de pakking (M).





7.7 WASSEN EN DESINFECTEREN VAN DE COMPONENTEN

Alle eerder gedemonteerde componenten (kraan, mixer, mengvijzel, pakking en kom) moeten zorgvuldig worden gewassen en gedesinfecteerd.

Om deze procedure correct uit te voeren, gaat u als volgt te werk:

- Vul een bak met reinigingsmiddel en heet water met een temperatuur van 50-60°C (122-140°F);
- Was de gedemonteerde componenten met de reinigingsoplossing;
- Spoel af met heet water;
- Reinig alleen met warm water en een desinfecterend product gemaakt van natriumhypochloriet verdund in water om een actieve chlorideconcentratie van 0,02% te verkrijgen;
- Dompel de gedemonteerde componenten onder in de desinfecterende oplossing;
- Laat de componenten ongeveer 30 minuten in de bak met desinfecterende oplossing;
- Spoel af met schoon water;
- Maak het deksel van de kom schoon (zie paragraaf 7.11);
- Leg de componenten op een schoon oppervlak en droog ze af.

7.8 MONTAGE VAN DE GEWASSEN COMPONENTEN

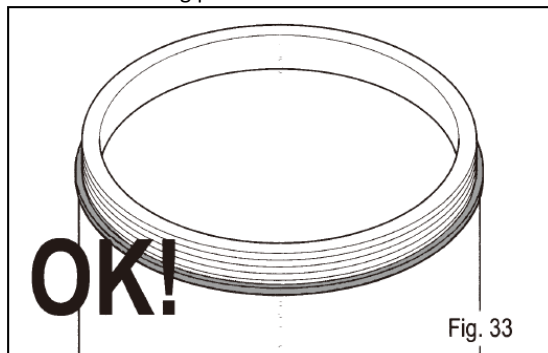
Alle gewassen en ontsmette componenten moeten met zorg worden gemonteerd en vervolgens weer in de machine worden geplaatst, volgens de relevante stappen.

7.8.1 MONTAGE VAN DE KOM

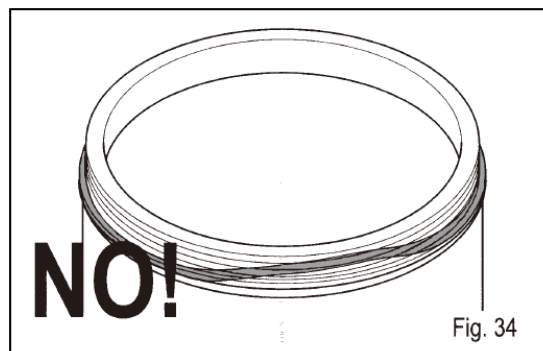
Waarschuwing: zorg ervoor dat de pakking correct is gemonteerd; een onjuist gemonteerde pakking zorgt ervoor dat het product lekt; risico op verbranding!

Controleer voordat u de kom in de machine monteert of de afdichting correct is gemonteerd.

Afb. 33 toont een correct gemonteerde afdichting; hier hecht de afdichting perfect aan de rand van de kom.

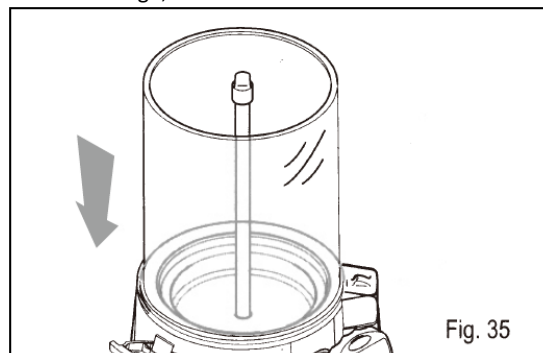


Afb. 34 toont een niet correct gemonteerde afdichting; hier hecht de afdichting NIET perfect aan de rand van de kom.



Modellen van 5 liter en 10 liter:

- Plaats de kom terug op zijn plaats, druk stevig naar beneden, nadat u de afdichting met water hebt bevochtigd;

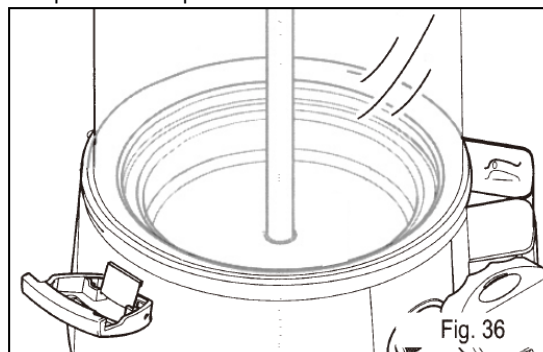


GEBRUIK GEEN VET OF VASELINE.



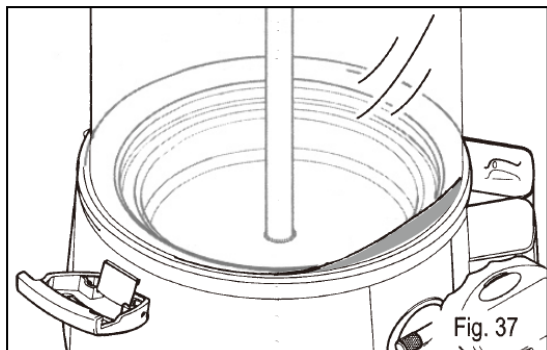
Waarschuwing: zorg ervoor dat de kom correct in de machine is gemonteerd; een verkeerd gemonteerde kom zorgt ervoor dat het product eruit lekt; risico op verbranding!

Afb. 36 toont een correct gemonteerde kom; hier sluit de kom perfect aan op de rand van de machine.

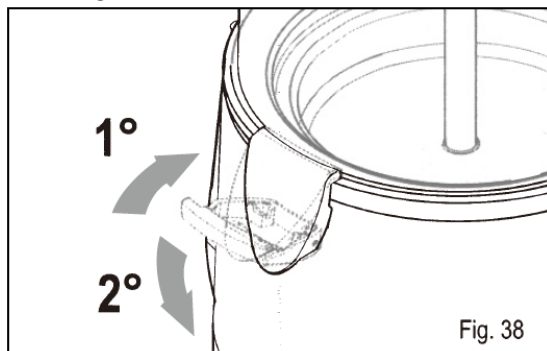




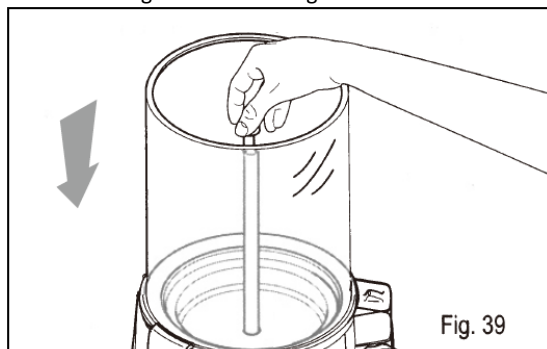
Afb. 37 toont een kom die niet correct is gemonteerd; hier sluit de kom NIET perfect aan op de rand van de machine.



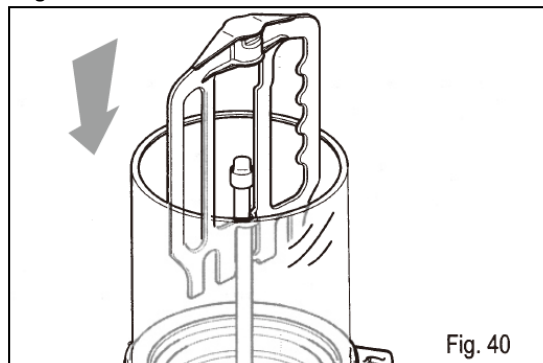
Bevestig de kom aan de machinebehuizing met behulp van de bijbehorende haakgrepen, zoals afgebeeld in de afbeelding.



Plaats de mengboor in de zitting.



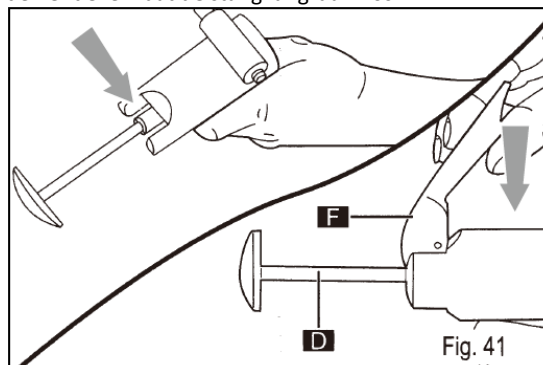
Plaats de menger in de zitting door de stappen beschreven in paragraaf 7.3 in omgekeerde volgorde te volgen.



7.8.2 MONTAGE VAN DE KRAAN

Om de kraan weer in elkaar te zetten, voert u alle eerder afgebeelde demontagestappen (Fig. 32 tot Fig. 27) in omgekeerde volgorde uit.

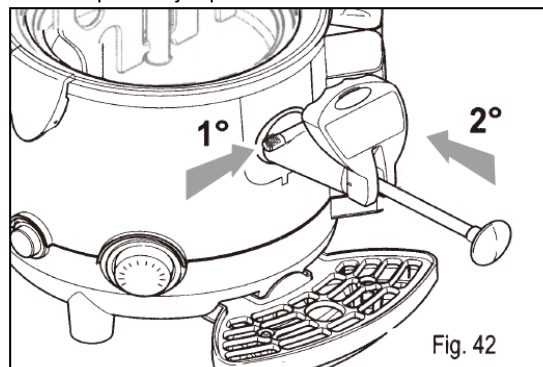
Om de hendel (F) te monteren, duwt u de stang (D) van binnenuit totdat de geleiders uitsteken; plaats vervolgens de hendel en laat de stang langzaam los.



7.8.3 MONTAGE VAN DE KRAAN

Om de kraan correct terug op zijn plaats te monteren, gaat u als volgt te werk:

- Houd de knop ingedrukt en zorg ervoor dat de stang volledig is uitgetrokken;
- Plaats de kraan in de daarvoor bestemde zitting en duw totdat de drukknop terugkeert naar de oorspronkelijke positie.





7.9 INTERNE DESINFECTIE

Waarschuwing! De thermostaat moet op -UIT- staan.

Voer de volgende stappen uit:

- Bereid de desinfecterende oplossing voor (zie paragraaf 7.7);
- Vul de kom met de desinfecterende oplossing;
- Laat de oplossing ongeveer 30 minuten inwerken;
- Giet de desinfecterende oplossing uit de kom;
- Spoel vervolgens de kom en de binnenoppervlakken grondig af om alle resten van de desinfecterende oplossing te verwijderen.

7.10 DE LEKBAK REINIGEN

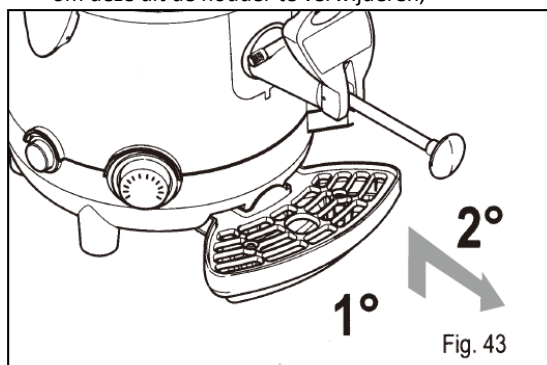


De lekbak moet dagelijks worden geleegd en gereinigd.



Let op: de bak moet worden geleegd en gereinigd telkens wanneer de rode vlotter die op het rooster is gemonteerd omhoog komt; dit is om te voorkomen dat er vloeistof uitlekt.

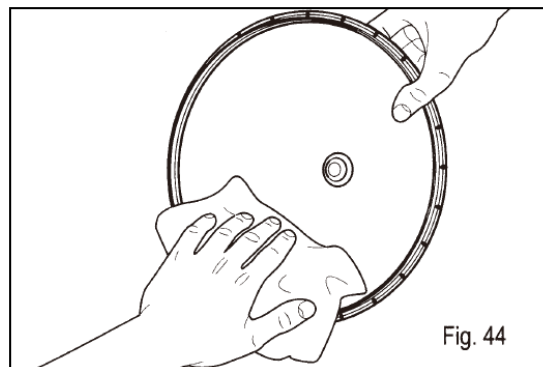
- Til de bak met rooster op en trek deze naar buiten om deze uit de houder te verwijderen;



- Was de bak en het rooster apart met lauw water;
- Droog alle componenten;
- Plaats het rooster terug op de bak;
- Plaats de lade terug en druk deze naar beneden om deze aan de machine te bevestigen.

7.11 HET DEKSEL VAN DE KOM SCHOONMAKEN

- Verwijder het deksel van de kom van de machine;
- Reinig het oppervlak met een vochtige doek en/of een niet-schurende spons gedrenkt in een ontsmettingsmiddel;
- Spoel grondig af met schoon water.



7.12 DE BOILER LEGEN



Waarschuwing: tijdens het legen van de boiler moet de stekker van de machine uit het stopcontact worden gehaald.



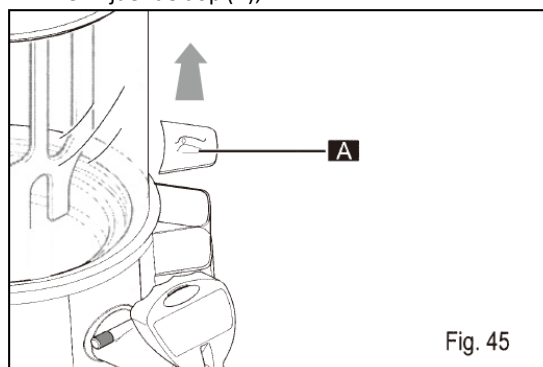
Waarschuwing: de boiler mag alleen worden geleegd als de kom leeg is en de machine voldoende is afgekoeld.



Het gebruik van water uit de boilertank voor voedingsdoeleinden is ten strengste verboden.

Ga als volgt te werk om de boiler te legen:

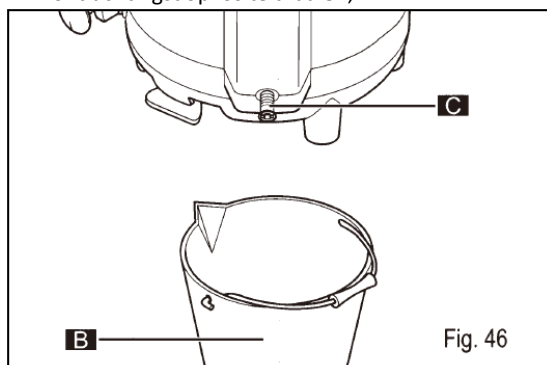
- Haal de stekker van de machine uit het stopcontact;
- Verwijder de lekbak, zoals beschreven in de relevante paragraaf 7.8;
- Verwijder de dop (A);



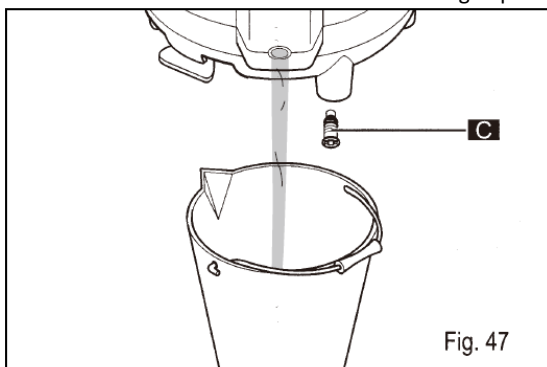
- Plaats de machine op een vlakke ondergrond en met de waterniveau-indicatorbak van de boilertank naar de buitenrand van het steunoppervlak gericht;
- Plaats een bak (B) met een inhoud van meer dan 3 liter onder de ontluchtingsdop (C);



- Gebruik een munt of inbussleutel om de ontluuchtingsdop los te draaien;



- Trek de dop (C) er met een stevige beweging uit en wacht tot al het water uit de boilertank is gelopen.



7.13 REINIGING EN ONTKALKING VAN DE BOILER TANK



De boilertank moet regelmatig worden ontkalkt; deze handeling wordt ten minste eenmaal per 3 maanden aanbevolen.

- Volg de stappen voor het leegmaken van de boilertank, zie paragraaf 7.11;
- Plaats en bevestig de ontluuchtingsdop van de boilertank;
- Doe water plus kalkverwijderaar voor koffiezetapparaten in de tank (volg de instructies op de verpakking van de kalkverwijderaar);
- Laat de oplossing inwerken gedurende de tijd die in de instructies van de oplossing zelf staat aangegeven;
- Leeg de oplossing uit de boilertank, zie paragraaf 7.11;
- Spoel de tank uit met veel water door deze te vullen en leeg te maken, zie paragrafen 6.1 en 7.11.

7.14 DE TEMPERATUURSENSOR RESETTEN



De temperatuursensor kan alleen worden gereset door een gespecialiseerde technicus, die alle bedieningssequenties en het gebruik van de juiste apparatuur moet organiseren om te werken in strikte overeenstemming met de huidige wetgeving op dit gebied.



Waarschuwing: nadat de temperatuursensor is tussengekomen om de machine uit te schakelen, is het onmisbaar om alle producten in de kom af te tappen en alle componenten te reinigen voordat de machinefuncties worden hersteld.

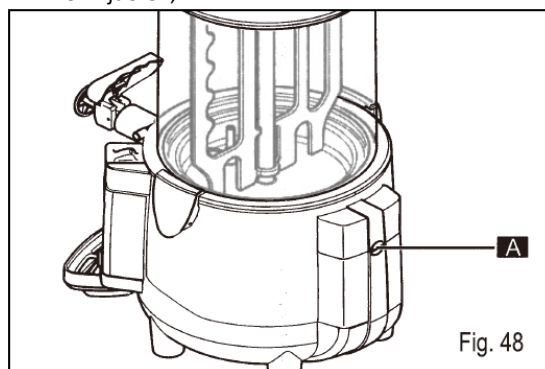


Waarschuwing: voordat u de temperatuursensor reset, schakelt u de machine uit met de relevante schakelaar en trekt u de stekker uit het stopcontact. Wacht vervolgens tot de machine is afgekoeld.

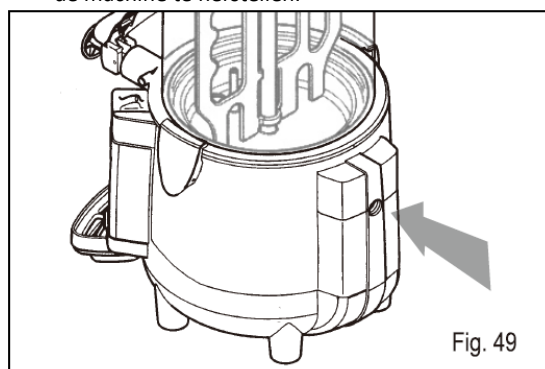


Het is de gebruiker ten strengste verboden om de minimum waterniveau temperatuursensor van de boilertank te resetten.

- Gebruik een geschikt gereedschap om de beschermende schroef (A) los te draaien en te verwijderen;



- Gebruik een geschikt gereedschap om de knop binnenin in te drukken om de normale werking van de machine te herstellen.





7.15 PERIODIEK ONDERHOUD



De machine moet periodiek (minstens eenmaal per jaar) worden gecontroleerd door een gespecialiseerde technicus. Deze periodieke controle dient om ervoor te zorgen dat alle geïnstalleerde componenten en de machine zelf op een hoog veiligheidsniveau worden onderhouden.



Alle versleten componenten moeten worden vervangen door een origineel reserveonderdeel.



Het is verboden om de machine te gebruiken als zelfs maar één van de componenten defect of versleten is. Gebruikers mogen geen periodiek onderhoud uitvoeren.

8. AFVALVERWERKING



Elektrische en elektronische apparatuur moet worden afgevoerd volgens de Europese richtlijn 2002/96/CE en in overeenstemming met de normen en voorschriften die van kracht zijn in het land waar de machine wordt gebruikt.



Dergelijke apparatuur mag niet worden afgevoerd als normaal vast gemeentelijk afval, maar moet apart worden ingezameld om de terugwinning en recycling van de materialen die zijn gebruikt om ze te produceren, te optimaliseren.



Alle producten zijn gemarkeerd met het doorgekruiste symbool van de afvalbak op wieltjes, als herinnering aan de verplichtingen tot gescheiden inzameling. Correcte naleving van alle bepalingen voor de afvoer van producten aan het einde van hun levensduur draagt bij aan de bescherming van het milieu.

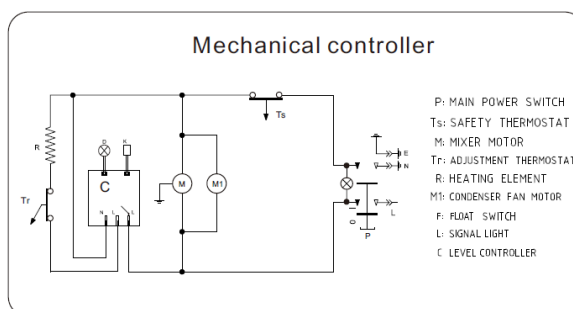
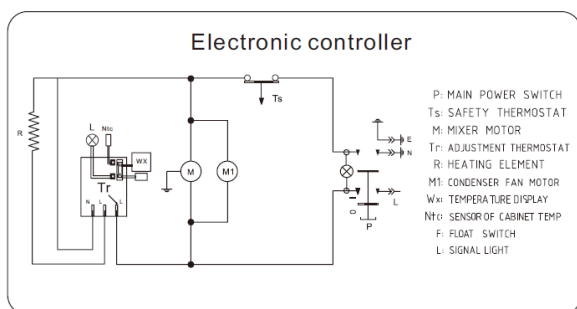


9. PROBLEEMOPLOSSING

PROBLEEM	OORZAAK	OPLOSSING
Warmt niet	Geen stroom	Controleer of de machine goed is aangesloten
	Schakelaar op -UIT-	Zet de schakelaar op -AAN-
	Interventie thermosonde	Reset de thermische beveiliging zoals aangegeven in sectie 7.14
	Thermostaat op "O"	Pas de thermostaat aan
	Het waterniveau in de boiler tank is gedaald tot onder het minimumniveau, waardoor het alarmsysteem is ingeschakeld.	Vul de boiler tank bij
Alarmlampje brandt met zoemgeluiden	Het waterniveau in de boiler tank is gedaald tot onder het minimumniveau	Vul de boiler tank bij
Mengschop draait niet	Geen stroom	Controleer of de machine goed is aangesloten
	De aandrijfas zit niet goed op zijn plaats	Verwijder de as en plaats deze vervolgens correct zoals aangegeven in sectie 7.8.1
	Thermosonde-interventie	Reset de thermische beveiliging zoals aangegeven in sectie 7.14
	Motorstoring	Neem contact op met servicepersoneel
	Aan/uit-schakelaar aan (0)	Druk op de schakelaar aan
Kraan lekt	Het is niet correct gemonteerd	Leeg de machine en monteer de kraan zoals aangegeven in sectie 7.8.3
	De uitlaat en het rubber zijn vuil	Leeg de machine en reinig de hele kraan grondig; monteer deze terug op de machine zoals aangegeven in sectie 7.8.3
	De afdichtingspakking van de niveaubuis moet worden vervangen	Neem contact op met servicepersoneel
Producten lekken uit de bodem van de kom	De kom is niet goed op zijn plaats gezet	Leeg de machine, verwijder de kom en zet hem op zijn plaats volgens de instructies in sectie 7.8.1
	De afdichting moet worden vervangen	Neem contact op met servicepersoneel
Machine is uitgevallen	Geen water in de boiler tank	Vul de boiler tank bij

Als de machine defect raakt door andere oorzaken dan die in deze tabel staan vermeld of als de voorgestelde oplossingen het probleem niet oplossen, neem dan contact op met een gespecialiseerde technicus

10. BEDRADINGSSCHEMA





1. ALLGEMEINE INFORMATIONEN

1.1 HERSTELLER

Die Angaben zum Hersteller sind auf dem Typenschild auf der ersten und/oder letzten Seite des Handbuchs aufgeführt.

1.2 AUTORISIERTE PERSONEN

Zwei Arten von Personen können zu unterschiedlichen Zwecken auf die Maschine zugreifen.

Benutzer

Eine Person, die über eine angemessene technische Ausbildung verfügt, um die Maschine für die Ausgabe von Heißschokoladengetränken unter Einhaltung der geltenden Hygienestandards vorzubereiten.

Nach dem Lesen dieses Handbuchs ist sie in der Lage:

- Normale Produktlade- und/oder - austauschvorgänge durchzuführen;
- Das Produkt ordnungsgemäß auszugeben;
- Die Maschine zu reinigen und zu desinfizieren.

Fachtechniker

Eine Person, die dieses Handbuch gelesen hat und über eine spezielle Ausbildung in der Installation, Verwendung und Wartung der Maschine verfügt:

- Sie muss in der Lage sein, bei schwerwiegenden Störungen Reparaturen durchzuführen und mit diesem Handbuch und allen Sicherheitsinformationen gut vertraut zu sein;
- Sie muss in der Lage sein, den Inhalt des Handbuchs zu verstehen und Zeichnungen und Diagramme richtig zu interpretieren;
- Er muss mit den wichtigsten Hygiene-, Unfallverhütungs-, Technologie- und Sicherheitsnormen vertraut sein;
- Er muss über spezifische Erfahrung in der Wartung von Heißschokoladenautomaten verfügen;
- Er muss wissen, wie er sich im Notfall zu verhalten hat, wo sich die persönliche Sicherheitsausrüstung befindet und wie sie richtig verwendet wird.



Personen, die die oben genannten Anforderungen nicht erfüllen, dürfen die Maschine nicht benutzen.

1.3 AUFBAU DES HANDBUCHS

Der Käufer muss die in diesem Handbuch enthaltenen Informationen sehr sorgfältig lesen.

1.3.1 ZWECK UND INHALT

Dieses Handbuch soll dem Käufer alle notwendigen Informationen zur Installation, Wartung und Verwendung der Heißschokoladenmaschine liefern.

Es gibt zwei Versionen der Schokoladenmaschine: 5-Liter- und 10-Liter-Behälter, aber die Zahlen beziehen sich immer auf die 10-Liter-Version, da sie auch für die 5-Liter-Version gelten.



Bevor Benutzer und Fachtechniker Arbeiten an der Maschine durchführen, müssen sie die hierin enthaltenen Anweisungen sorgfältig lesen.

Wenn Sie Zweifel hinsichtlich der korrekten Interpretation dieser Anweisungen haben, wenden Sie sich an den Hersteller, um die erforderlichen Erklärungen anzufordern.



Sie sollten keine Arbeiten durchführen, bevor Sie den Inhalt dieses Handbuchs gelesen und vollständig verstanden haben.

1.3.2 WER DAS HANDBUCH LESEN MUSS

Dieses Handbuch richtet sich an Benutzer und Fachtechniker. **Benutzer dürfen nicht versuchen, Arbeiten durchzuführen, die qualifizierten Technikern vorbehalten sind.**

Der Hersteller haftet nicht für Schäden oder Verletzungen, die durch die Nichteinhaltung dieser Regel entstehen. Die Bedienungsanleitung ist integraler Bestandteil des erworbenen Produkts und muss daher an alle nachfolgenden Besitzer weitergegeben werden.

1.3.3 AUFBEWAHRUNG DER BEDIENUNGSANLEITUNG

Diese Bedienungsanleitung muss in unmittelbarer Nähe der Maschine aufbewahrt werden. Es sind die erforderlichen Vorkehrungen zu treffen, um sicherzustellen, dass die Anleitung im Laufe der Zeit intakt und lesbar bleibt:

- Verwenden Sie die Anleitung so, dass keine Beschädigung des Inhalts erfolgt;
- Entfernen, zerreißen oder überschreiben Sie unter keinen Umständen Teile der Anleitung;
- Bewahren Sie die Anleitung an einem vor Feuchtigkeit und Hitze geschützten Ort auf, um die Druckqualität und die Lesbarkeit aller Teile zu erhalten.



Wenn die vorliegende Bedienungsanleitung beschädigt wird oder verloren geht, muss umgehend ein weiteres Exemplar beim Hersteller oder einem autorisierten Händler im Land des Benutzers angefordert werden.



1.3.4 VERWENDETE SYMBOLE

ALLGEMEINE GEFAHRENHINWEIS



Es weist auf eine Gefahr hin, die auch für den Benutzer tödlich sein kann. In solchen Fällen ist äußerste Vorsicht geboten und es müssen alle Vorsichtsmaßnahmen getroffen werden, um einen sicheren Betrieb zu gewährleisten.

STROMSCHLAGEFAHR



Es warnt das betroffene Personal, dass der beschriebene Vorgang zu einem Stromschlag führen kann, wenn nicht alle erforderlichen Sicherheitsvorkehrungen getroffen werden.

WICHTIG



Es weist auf einen Warnhinweis, einen Hinweis auf wichtige Funktionen oder nützliche Informationen hin. Die mit diesem Symbol gekennzeichneten Textteile sollten sehr aufmerksam gelesen werden.

VERBOTEN



Dieses Symbol wird verwendet, um Vorgänge anzuzeigen, die unbedingt vermieden werden müssen, da sie Gefahren für den Benutzer und alle anderen in der Nähe anwesenden Personen darstellen.



FEUER NICHT MIT WASSER LÖSCHEN

Dieses Symbol warnt vor Löschversuchen mit Wasser oder wasserhaltigen Substanzen.



PERSÖNLICHER SCHUTZ

Wenn dieses Symbol neben einer Beschreibung erscheint, bedeutet dies, dass persönliche Schutzausrüstung verwendet werden muss, da eine implizite Unfallgefahr besteht.



FACHTECHNIKER

Es kennzeichnet Vorgänge, die nur von qualifiziertem Fachpersonal durchgeführt werden dürfen.



BEWEGLICHE MASCHINENTEILE

Es kennzeichnet die Gefahr durch bewegliche Teile in der Maschine. Schalten Sie die Maschine aus, bevor Sie einen Vorgang durchführen.

2. MASCHINENBESCHREIBUNG

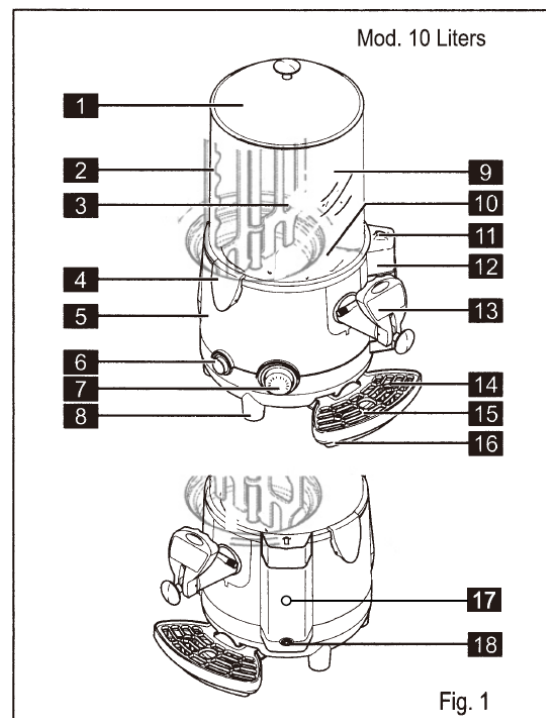
2.1 VERWENDUNG DER MASCHINE

Die von Ihnen erworbene Maschine für den professionellen Einsatz ist für die Herstellung von heißen Schokoladengetränken bestimmt.

2.2 HAUPTKOMPONENTEN

Die Hauptkomponenten der Maschine sind:

1. Schüsseldeckel
2. Schüssel (5 oder 10 Liter)
3. Mischschnecke
4. Schüssel-Einhängegriffe
5. Maschinenkörper
6. Hauptschalter
7. Schokolade, Temperaturregelungsthermostat (°C/°F)
8. Unterkörper
9. Mixer
10. Pfanne
11. Deckel für Wasserstandsanzeigeschale des Kesseltanks
12. Wasserstandsanzeigeschale des Kesseltanks
13. Produktpendereinheit (Hahn)
14. Anzeige für maximalen Füllstand der Tropfschale
15. Tropfschalengitter
16. Tropfschale
17. Übertemperaturschutz
18. Entleerungsdeckel des Kesseltanks

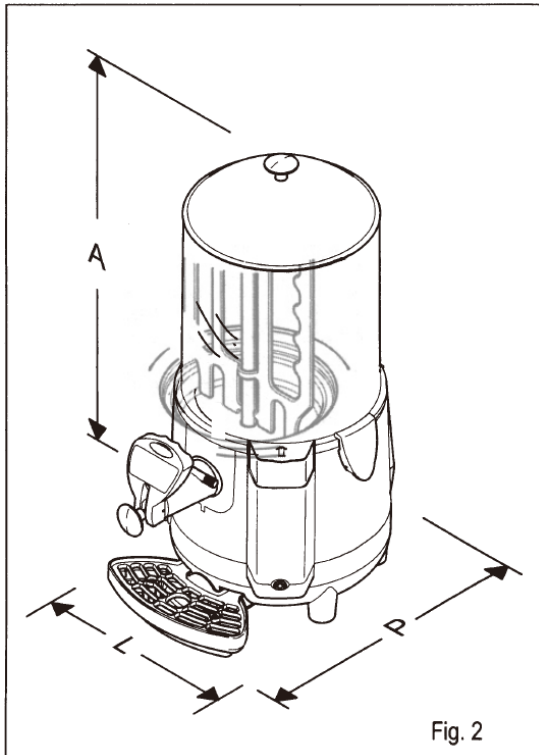




2.3 TECHNISCHE DATEN

Die technischen Daten und Merkmale sind unten aufgeführt.

Modell	7537.0020	7537.0025
Maschinenabmessungen (BxTxH)	280x410x564 mm	280x410x580 mm
Gewicht (Schüssel leer)	7.3 kg	8 kg
Maximale elektrische Aufnahme (W)	Siehe Typenschild an der Seite der Maschine	
Betriebsspannung (V)		
Umgebungsbetriebstemperatur	Min. 10°C (50°F) Max. 32°C (89.6°F)	
Anzahl der Schüsseln	1	1
Fassungsvermögen jeder Schüssel	5 liter	10 liter
Schalldruckpegel	<< 70 dB	
Klasse	N	



Hinweis: Der Hersteller behält sich das Recht vor, ohne Vorankündigung Änderungen an der Maschine vorzunehmen.



Wichtig: Jegliche Änderungen und/oder Ergänzungen von Zubehör müssen ausdrücklich vom Hersteller genehmigt und umgesetzt werden.

3. SICHERHEIT



3.1 ALLGEMEINE SICHERHEITSVORSCHRIFTEN

- Lesen Sie die gesamte Bedienungsanleitung sorgfältig durch.
- Der Anschluss an das Stromnetz muss den geltenden Sicherheitsnormen im Land des Benutzers entsprechen.
- Die Maschine muss an eine Steckdose angeschlossen werden, die:
 - mit dem mit der Maschine mitgelieferten Stecker kompatibel ist;
 - Abmessungen aufweist, die den auf dem Typenschild an der Seite der Maschine angegebenen Daten entsprechen;
 - ordnungsgemäß geerdet ist;
 - an ein System angeschlossen ist, das mit einem Differenzialschalter und einem Leistungsschalter ausgestattet ist;
 - an ein System angeschlossen ist, das gemäß den geltenden Normen und Vorschriften im Verwendungsland zertifiziert wurde.
- Das Netzkabel darf nicht:
 - mit Flüssigkeiten jeglicher Art in Kontakt kommen: Gefahr eines Stromschlags und/oder Brandes;
 - gequetscht und/oder mit scharfen Oberflächen in Berührung gebracht werden;
 - zum Bewegen der Maschine verwendet werden;
 - verwendet werden, wenn es Schäden aufweist;
 - mit feuchten oder nassen Händen angefasst werden;
 - bei eingeschalteter Maschine aufgerollt werden;
 - manipuliert werden.
- NICHT:
 - Die Maschine anders als in Kapitel 5 beschrieben installieren.
 - Die Maschine an einem Ort installieren, an dem sie Wasserspritzern ausgesetzt sein kann.
 - Die Maschine in der Nähe von brennbaren und/oder explosiven Stoffen verwenden.
 - Plastiktüten, Styropor, Nägel usw. in Reichweite von Kindern lassen, da sie potenzielle Gefahrenquellen darstellen.
 - Kinder in der Nähe der Maschine spielen und sich aufhalten lassen.
 - Andere als die vom Hersteller empfohlenen Ersatzteile verwenden.
 - Technische Änderungen an der Maschine vornehmen.
 - Die Maschine in Flüssigkeiten jeglicher Art eintauchen.
 - Die Maschine mit Wasser abspritzen, um sie zu reinigen.



- Die Maschine anders als in diesem Handbuch beschrieben verwenden.
- Die Maschine verwenden, wenn Sie nicht im Vollbesitz Ihrer geistigen und körperlichen Fähigkeiten sind: unter Einfluss von Drogen, Alkohol usw.
- Die Maschine auf anderen Geräten installieren.
- Die Maschine in einer explosiven oder aggressiven Atmosphäre oder bei Vorhandensein einer hohen Konzentration von Staub oder öligen Substanzen in der Luft verwenden.
- Verwenden Sie die Maschine an Orten, an denen Brandgefahr besteht.
- Verwenden Sie die Maschine zum Dosieren von Substanzen, die nicht mit den Spezifikationen der Maschine kompatibel sind.
- Reinigen oder warten Sie die Maschine, wenn der Hauptschalter auf ON steht oder der Stecker in die Steckdose eingesteckt ist.
- Dieses Gerät ist nicht für die Verwendung durch Personen (einschließlich Kinder) mit eingeschränkten physischen, sensorischen oder geistigen Fähigkeiten oder mangelnder Erfahrung und Kenntnissen vorgesehen, es sei denn, sie werden von einer für ihre Sicherheit verantwortlichen Person beaufsichtigt oder in die Verwendung des Geräts eingewiesen.
- Kinder sollten beaufsichtigt werden, um sicherzustellen, dass sie nicht mit dem Gerät spielen.
- Stellen Sie vor dem Reinigen sicher, dass die Maschine vom Stromnetz getrennt ist; warten Sie, bis die Maschine ausreichend abgekühlt ist.
- Reinigen Sie die Maschine nicht mit Benzin und/oder Lösungsmitteln jeglicher Art.
- Reparaturarbeiten dürfen nur von einem vom Hersteller autorisierten Servicecenter und/oder spezialisiertem, geschultem Personal durchgeführt werden.
- Stellen Sie die Maschine nicht in der Nähe von Heizgeräten wie Öfen oder Heizkörpern auf.
- Verwenden Sie im Brandfall Kohlendioxid-(CO₂)-Feuerlöscher. Keine Wasser- oder Pulverlöscher verwenden.



Bei unsachgemäßer Verwendung erlöschen sämtliche Garantieansprüche und der Hersteller übernimmt keine Haftung für Personen- und/oder Sachschäden.

Als unsachgemäße Verwendung gelten:

- Jede Verwendung, die nicht bestimmungsgemäß und/oder mit anderen als den hier beschriebenen Methoden erfolgt;
- Jede Operation an der Maschine, die im Widerspruch zu den hier bereitgestellten Anweisungen steht;
- Verwendung der Maschine, nachdem an Komponenten manipuliert und/oder Sicherheitsvorrichtungen verändert wurden;
- Verwendung der Maschine nach einer Reparatur mit vom Hersteller nicht autorisierten Komponenten;
- Aufstellung der Maschine im Freien.

3.2 STOP-FUNKTIONEN

Die Maschine wird durch Ausschalten des Ein-/Ausschalters abgeschaltet.

3.3 SCHILDER

KEIN DER AN DER MASCHINE VORHANDENEN SCHILDER ODER AUFKLEBER DARF ENTFERNT, ABDECKT ODER BESCHÄDIGT WERDEN, INSBESONDERE DIE SICHERHEITSHINWEISE. BEI BESCHÄDIGUNG EINES DER TYPENSCHILDER AN DER MASCHINE WENDEN SIE BITTE AN DEN HERSTELLER, UM EINEN ERSATZ ZU ERHALTEN.

3.4 NOTFALLSITUATIONEN



Achtung: Um die Maschine in einer Notfallsituation anzuhalten, drücken Sie den Hauptschalter fest, sodass er auf -OFF- steht.



Im Brandfall muss der Bereich geräumt werden, damit geschultes Personal mit der entsprechenden Schutzausrüstung eingreifen kann. Verwenden Sie immer zugelassene Feuerlöscher und niemals Wasser oder Substanzen unsicherer Natur.

4. HANDHABUNG UND LAGERUNG



Alle in Kapitel 4 beschriebenen Vorgänge dürfen ausschließlich von Technikern durchgeführt werden, die auch auf das Anheben und Handhaben verpackter oder unverpackter Maschinen spezialisiert sind. Sie müssen alle Arbeitsabläufe organisieren und geeignete Ausrüstung entsprechend den Eigenschaften und dem Gewicht des zu handhabenden Objekts und unter strikter Einhaltung der geltenden Vorschriften verwenden.

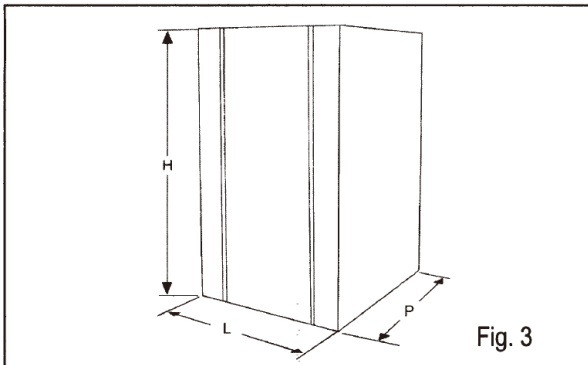


4.1 VERPACKUNG

Die Maschine wird gebrauchsfertig und in einem Karton geliefert. Der Karton besteht aus einem Boden und einem Deckel, die mit zwei Nylonbändern zusammengehalten werden.

Abmessungen und Gewicht des Verpackungsbehälters

MODELL	BREITE	TIEFE	HOHE	GEWICHT
7537.0020	385 mm	385 mm	525 mm	9.2 kg
7537.0025	385 mm	385 mm	645 mm	10.2 kg



Hinweis: Die Abmessungen und das Gewicht des Verpackungsbehälters sind ungefähre Angaben.

4.2 TRANSPORT UND HANDHABUNG



Stellen Sie sicher, dass sich niemand im Bereich der Hebe- und Handhabungsvorgänge befindet. Unter schwierigen Bedingungen sollte Fachpersonal beauftragt werden, die Bewegungen der Maschine zu überwachen.

Für die manuelle Handhabung der Maschine ist mindestens eine Person erforderlich.



Heben Sie die Kiste an und transportieren Sie sie vorsichtig, wobei Sie Wege mit Hindernissen vermeiden. Achten Sie auf die Gesamtabmessungen und alle hervorstehenden Teile.



Achtung: Machen Sie keine zusätzlichen Schnitte am Verpackungsbehälter.

Die Garantie deckt keine Schäden ab, die während des Transports und der Handhabung an der Maschine entstehen. Der Käufer trägt die Kosten für die Reparatur oder den Austausch beschädigter Teile. Unter Nutzungsbedingungen darf die Maschine erst dann in aufrechter Position bewegt werden, wenn:

- der Behälter entleert wurde (siehe Abschnitt 7.2);
- das Wasser aus dem Kessel entleert wurde (siehe Abschnitt 7.12).



Achtung! Die Maschine darf erst bewegt werden, wenn sie ausreichend abgekühlt ist.

4.3 LAGERUNG



Vor der Einlagerung und bei jeder Wiederinbetriebnahme nach einer Lagerzeit muss die Maschine gründlich gereinigt und desinfiziert werden.

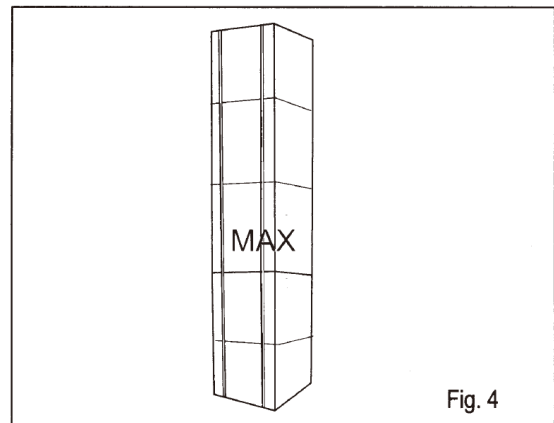


Vor der Einlagerung der Maschine den Kesselentleeren.

Achtung: Lagern Sie nicht mehr als 5 Maschinen übereinander gestapelt.

Wenn die Maschine längere Zeit unbenutzt bleibt, müssen hinsichtlich des Lagerorts und der Lagerdauer die entsprechenden Vorsichtsmaßnahmen getroffen werden:

- Lagern Sie die Maschine an einem geschlossenen Ort;
- Schützen Sie die Maschine vor Stößen und Belastungen;
- Schützen Sie die Maschine vor Feuchtigkeit und großen Temperaturschwankungen;
- Verhindern Sie, dass die Maschine mit korrosiven Stoffen in Kontakt kommt.



5. INSTALLATION

Alle in Kapitel 5 beschriebenen Vorgänge dürfen ausschließlich von Fachtechnikern durchgeführt werden, die alle Arbeitsabläufe organisieren und geeignete Geräte verwenden müssen, wobei die geltenden Vorschriften strikt eingehalten werden müssen.

Die Maschine muss in einem gut beleuchteten und gut belüfteten Raum mit festem, stabilem und ebenem Boden (Gefälle unter 2°) installiert werden. Stellen Sie die Maschine während der Installation außerhalb der Reichweite von Kindern und unbefugten Personen auf.



Die Maschine ist vom beaufsichtigten Typ und muss an Orten installiert werden, an denen sie von geschultem Personal überwacht werden kann.



Achtung: Es ist verboten, die Maschine an einem Ort zu installieren, an dem sie von anderen Personen als den in Abschnitt „1.2 – Autorisierte Personen“ genannten erreicht, berührt und/oder bedient werden kann.

Die Maschine darf nur an Orten mit einer Umgebungstemperatur zwischen 10°C (50°F) und 32°C (89,6°F) betrieben werden.

5.1 MITGELIEFERTES ZUBEHÖR

Pfeifenreiniger: zur korrekten Reinigung des Ausgabekanals für heiße Schokolade.

5.2 INSTALLATION-POSITIONIERUNG

Folgendes muss überprüft werden:

- Der Aufstellungsort wurde ordnungsgemäß für die Installation der Maschine vorbereitet;
- Dass die Räumlichkeiten ausreichend beleuchtet, belüftet, sauber und hygienisch sind und dass die Steckdose leicht erreichbar ist;
- Die Oberfläche, auf der die Maschine installiert wird, ist fest, eben und stabil;
- Dass die Maschine mindestens 20 cm vom Rand der verwendeten Arbeitsplatte entfernt platziert wird.



Um die Maschine herum muss ausreichend Platz gelassen werden, damit das Personal ungehindert arbeiten und den Arbeitsbereich bei Bedarf sofort verlassen kann.

Abb. 5 zeigt die Mindestabstände für die Installation.
Hinweis: Lassen Sie im oberen Teil 25 cm Platz.

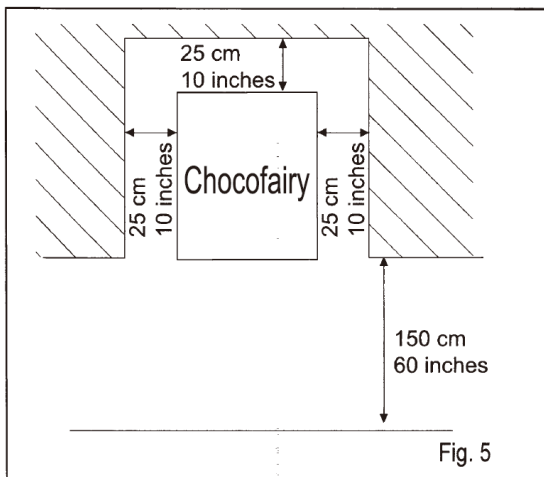


Abb. 5 zeigt die erforderlichen Abstände für den Zugang:

- Die Bedienelemente auf der linken Seite;
- Maschinenteile, damit diese im Fehlerfall gewartet werden können.



Wichtiger Hinweis: Verwenden Sie zum Anheben der Maschine nicht die Produktpendereinheit (Hahn), den Ablaufstutzen, die Wasserstandsanzeigeschale, den Schüsselhaken an den Griffen oder die Schüssel selbst; fassen Sie den unteren Maschinenkörper an. Schäden an der Maschine, die durch Nichtbeachtung dieser Regeln entstehen, werden nicht von der Garantie abgedeckt.

Nachdem Sie den Verpackungsbehälter in der Nähe des Aufstellungsorts aufgestellt haben, gehen Sie wie folgt vor:

- Öffnen Sie den vorderen Teil des Verpackungsbehälters;
- Heben Sie die Maschine an und nehmen Sie sie aus der Verpackung;
- Stellen Sie sie dann auf den vorbereiteten Platz.



Bevor die Maschine zum ersten Mal in Betrieb genommen wird, müssen ihre Komponenten gründlich gereinigt werden; weitere Einzelheiten finden Sie im entsprechenden Abschnitt.

5.3 ENTSORGUNG VON VERPACKUNGSMATERIALIEN

Nach dem Öffnen der Verpackung achten Sie darauf, die Verpackungsmaterialien nach Art zu trennen und gemäß den geltenden Vorschriften im Land des Benutzers zu entsorgen. Wir empfehlen, die Verpackung für künftige Beförderungen oder Transporte aufzubewahren.

5.4 ELEKTRISCHER ANSCHLUSS



Diese Arbeit darf nur von Fachpersonal durchgeführt werden.

Bevor Sie den Stecker in die Netzsteckdose stecken, vergewissern Sie sich, dass:

- die verwendete Netzspannung mit dem auf dem Typenschild des Herstellers angegebenen Wert übereinstimmt;
- der Hauptschalter auf -OFF- steht.

Wenn die Maschine zum ersten Mal an das Stromnetz angeschlossen wird, muss dieser Vorgang von einem Fachtechniker durchgeführt werden, während der Kunde für alle nachfolgenden Anschlüsse verantwortlich ist und sich um diese kümmern muss.

Die Maschine muss über den am Netzkabel angebrachten Stecker an das Stromnetz angeschlossen werden. Beachten Sie unbedingt:

- die zum Zeitpunkt der Installation geltenden technischen Vorschriften und Normen;
- die auf dem Typenschild an der Seite der Maschine angegebenen Daten.



Achtung: Die Steckdose muss sich an einem für den Benutzer leicht erreichbaren Ort befinden, sodass die Maschine bei Bedarf ohne Kraftaufwand vom Stromnetz getrennt werden kann.



Wenn das Netzkabel beschädigt ist, muss es entweder vom Hersteller oder einem Fachtechniker ausgetauscht werden.

Es ist verboten:



- Verlängerungskabel jeglicher Art zu verwenden;
- den Originalstecker zu ersetzen;
- Adapter zu verwenden.

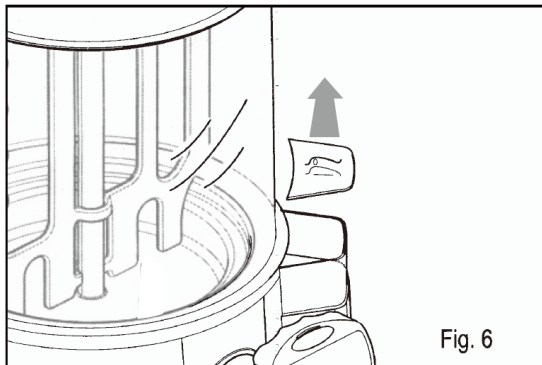
6. BETRIEB

Bevor die Maschine zum ersten Mal in Betrieb genommen werden kann, muss sie von Fachpersonal auf ihre ordnungsgemäße Funktion geprüft werden.

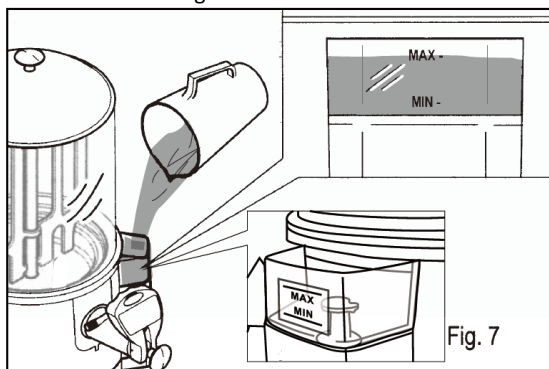
6.1 INBETRIEBNAHME

Um die Maschine in Betrieb zu nehmen, führen Sie die folgenden Schritte aus:

- Stellen Sie sicher, dass der Hauptschalter auf OFF steht.
- Nehmen Sie den Deckel ab.



- Füllen Sie den Kesseltank mithilfe der Kesseltank-Füllstandsanzeigeschale mit Wasser, bis der auf der Schale selbst angegebene Höchstwert erreicht ist, der mit -MAX- gekennzeichnet ist.



Achtung: Füllen Sie den Kesseltank, indem Sie langsam Wasser einfüllen und einige Sekunden lang prüfen, ob der Wasserstand das -MAX--Niveau erreicht hat und stabil ist.

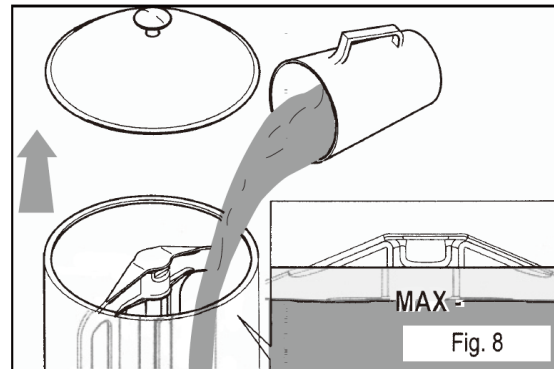


Wenn Sie einen leeren Kesseltank zum ersten Mal füllen, beträgt die Wassermenge, die zum vollständigen Füllen des Tanks benötigt wird, ungefähr 3,25 Liter.



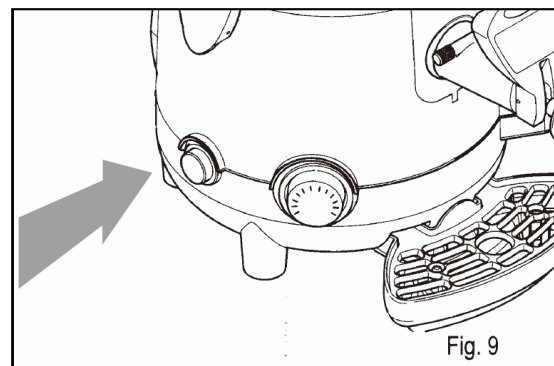
Sobald die Alarmleuchte aufleuchtet und ein Summton ertönt, füllen Sie den Kesseltank erneut mit Wasser, um eine Überhitzung und Beschädigung der Maschine zu vermeiden.

- Nehmen Sie den Deckel ab und gießen Sie das gemäß den Anweisungen des Herstellers zubereitete Getränk in die Schüssel.
- Überschreiten Sie niemals den Höchststand, der auf der Schale selbst mit -MAX- gekennzeichnet ist.



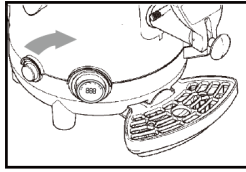
- Setzen Sie den Deckel wieder auf, nachdem Sie das Produkt in die Schüssel gegossen haben.
- Stellen Sie sicher, dass der Stecker in die Steckdose eingesteckt ist.
- Drücken Sie den Hauptschalter, um die Maschine zu starten. Das Produkt in der Schüssel beginnt zu mischen.

LED: -MASCHINE EIN-
LED aus: -MASCHINE AUS-



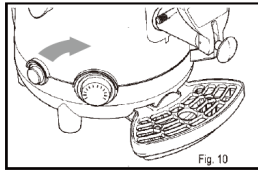


Elektronischer Typ



Stellen Sie die Temperatur mit dem Drehknopf ein, dann zeigt der Thermostat die aktuelle Temperatur an.

Mechanischer Typ



Stellen Sie den Thermostat auf die erforderliche Temperatur ein, um das Produkt in der Schüssel zu erhitzen.



Achtung: Schalten Sie die Maschine während des Kesselbetriebs mit dem Hauptschalter aus (LED aus).



Achtung: Stellen Sie sicher, dass der Wasserstand nie unter den mit -MIN- gekennzeichneten Mindeststand fällt. Dadurch wird ein Abschalten der Maschine verhindert.



Achtung: Betreiben Sie die Maschine niemals ohne Wasser im Kessel, da dies das Heizelement beschädigen würde.

Ein Temperatursensor unterbricht in jedem Fall die Stromzufuhr zum Heizelement, wenn kein Wasser im Kessel ist. Um die Maschine wieder in den Normalbetrieb zu versetzen, drücken Sie den Druckknopf unter dem Sockel.



Achtung: Die Maschine wird auch während der Abschaltung weiterhin mit Strom versorgt.



Achtung: Verwenden Sie für einen ordnungsgemäßen Maschinenbetrieb nur demineralisiertes Wasser im Kessel.

6.2 PRODUKTAUSGABE



Warnung: Das aus der Maschine ausgegebene Produkt hat eine sehr hohe Temperatur; Verbrühungsgefahr.

Gehen Sie zum Ausgeben von heißer Schokolade wie folgt vor:



Es ist ratsam, den Stab in der maximalen Ausgabeposition zu halten, damit das Produkt mit der erforderlichen Geschwindigkeit fließt.

- Stellen Sie eine Tasse unter den Hahn;
- Verwenden Sie den Hebel am Hahn (das Produkt wird ausgegeben, wenn der Hebel gedrückt oder gezogen wird), bis die erforderliche Produktmenge in die Tasse gegossen wurde;
- Lassen Sie den Hahnhebel allmählich los, sodass er in die Standby-Position zurückkehrt (Hahn geschlossen).

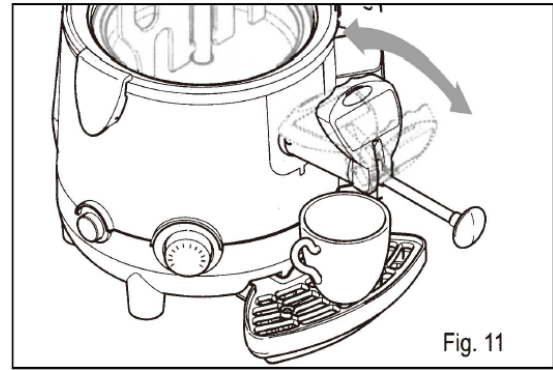


Fig. 11

Wenn das Produkt besonders dick ist, ist es ratsam, den Stab in der maximalen Position herausgezogen zu lassen; eventuelle Verstopfungen in der Ausgabeleitung können durch Hin- und Herschieben des Stabs bei gehaltener Maschine entfernt werden, wie in Abb. 12 gezeigt.

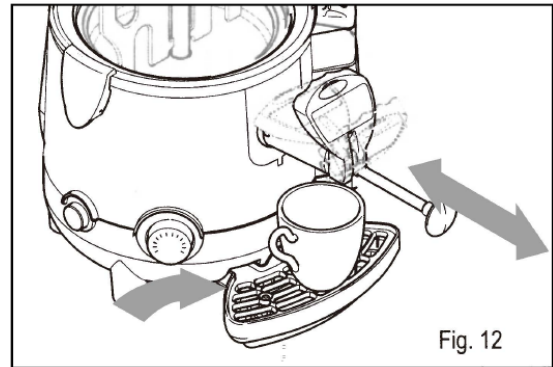


Fig. 12



Warnung: Berühren Sie niemals die Schüssel oder den Deckel, während die Maschine in Betrieb ist, da diese sehr heiß sind. Verwenden Sie beim Bewegen des Schüsseldeckels immer den Knopf.

7. REINIGUNG UND WARTUNG



Die Reinigung und Wartung der Maschine muss bei ausgeschaltetem Hauptschalter und getrennt vom Stromnetz durchgeführt werden.



Achtung: Stellen Sie jedes Mal, wenn die Schüssel mit einem Produkt (Lebensmittel oder Desinfektionsmittel) gefüllt wird, sicher, dass der Mixstab vorhanden ist.



Achtung: Warten Sie vor jeder Reinigungsarbeit, bis die Maschine ausreichend abgekühlt ist.



Achtung: Die Verwendung von Scheuer- und/oder Metallschwämmen zur Reinigung der Maschine oder ihrer Komponenten ist strengstens verboten; verwenden Sie zum Reinigen nur ein feuchtes Tuch und/oder einen nicht scheuernden Schwamm.



Achtung: Verwenden Sie die mitgelieferte Reinigungsbürste nur zum Reinigen des Kanals zwischen Tank und Hahn (siehe Abschnitt 7.5, Abbildung 25); verwenden Sie diese Bürste niemals zum Reinigen anderer Teile.

Tragen Sie vor jeder Reinigungs- und Wartungsarbeit an der Maschine die persönlichen Schutzausrüstungen (Handschuhe, Schutzbrille usw.), die von den geltenden Sicherheitsnormen des Landes, in dem die Maschine verwendet wird, empfohlen werden.

Befolgen Sie bei der Durchführung der Reinigungs- und Wartungsarbeiten diese Anweisungen:

- Tragen Sie unfallsichere Schutzhandschuhe;
- Verwenden Sie keine Lösungsmittel oder entflammbaren Materialien;
- Verwenden Sie keine Scheuer- und/oder Metallschwämme, um die Maschine und ihre Komponenten zu reinigen;
- Achten Sie darauf, keine Flüssigkeiten in die Umgebung zu verteilen;
- Waschen Sie die Maschinenkomponenten nicht in der Spülmaschine;
- Trocknen Sie Teile der Maschine nicht in einem herkömmlichen Ofen und/oder in der Mikrowelle;
- Tauchen Sie die Maschine nicht in Wasser;
- Setzen Sie die Maschine keinem direkten Wasserstrahl aus;
- Reinigen Sie nur mit warmem Wasser und einem Desinfektionsmittel aus Natriumhypochlorit, das in Wasser verdünnt wurde, um eine aktive Chloridkonzentration von 0,02 % zu erreichen.
- Stellen Sie nach Abschluss der Arbeiten sicher, dass alle Schutzabdeckungen und -vorrichtungen, die entfernt oder geöffnet wurden, wieder angebracht und ordnungsgemäß gesichert sind.

Reinigung und Desinfektion sind Vorgänge, die mit größter Sorgfalt und regelmäßig durchgeführt werden müssen, um die Qualität der ausgegebenen Getränke und die Einhaltung der vorgeschriebenen Hygienestandards zu gewährleisten.



Jede Schüssel muss bei einem Produktwechsel mindestens alle 2 Tage und in jedem Fall unter Einhaltung der geltenden Hygienevorschriften im Land des Benutzers gereinigt und desinfiziert werden. Diese Vorgänge müssen häufiger durchgeführt werden, wenn die Eigenschaften des verwendeten Produkts dies erfordern. Weitere Einzelheiten erhalten Sie beim Produktlieferanten.



Die zur Herstellung dieser Teile verwendeten Metall-, Kunststoff- und Gummimaterialien sowie ihre spezifischen Formen erleichtern die Reinigung, verhindern jedoch nicht die Bildung von Bakterien und Schimmel bei unzureichender Reinigung.

7.1 REINIGUNGS- UND DESINFEKTIONSVORGEHENSWEISE

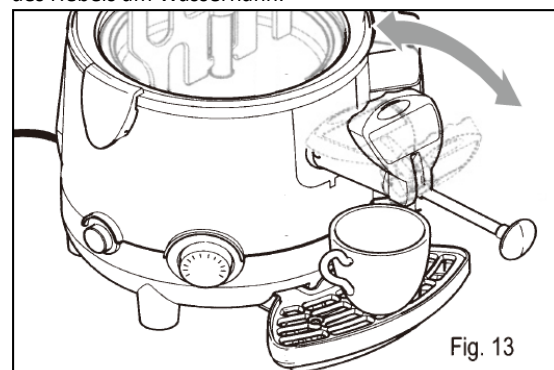
Gehen Sie bei Reinigungs- und Desinfektionsvorgängen wie folgt vor:

- Entleeren Sie das Produkt aus der Schüssel (siehe Abschnitt 7.2)
- Nehmen Sie die Schüssel aus der Maschine (siehe Abschnitt 7.3)
- Entfernen Sie den Hahn von der Maschine (siehe Abschnitt 7.4)
- Reinigen Sie die Schüssel (siehe Abschnitt 7.5)
- Demontieren Sie den zuvor aus der Maschine entfernten Hahn (siehe Abschnitt 7.6)
- Waschen und desinfizieren Sie die Einzelteile der Maschine (siehe Abschnitt 7.7)
- Setzen Sie die Schüssel wieder auf die Maschine (siehe Abschnitt 7.8.1)
- Reinigen Sie die Hahnkupplung mit einem feuchten Tuch und/oder einem nicht scheuernden Schwamm, der mit Desinfektionsmittel getränkt wurde
- Setzen Sie den Hahn wieder zusammen (siehe Abschnitt 7.8.2)
- Setzen Sie den Hahn auf die Maschine (siehe Abschnitt 7.8.3)
- Führen Sie das Desinfektionsverfahren für das Innere der Maschine durch (siehe Abschnitt 7.9)
- Reinigen Sie die Tropfschale (siehe Abschnitt 7.10)
- Reinigen Sie den Schüsseldeckel mit einem feuchten Tuch und/oder einem nicht scheuernden Schwamm (siehe Abschnitt 7.11)
- Leeren Sie den Kesseltank (siehe Abschnitt 7.12)
- Reinigen und entkalken Sie den Kesseltank (siehe Abschnitt 7.13)

7.2 LEEREN DER SCHÜSSEL

Bevor Sie die Schüssel reinigen, müssen Sie zunächst alle Produkte aus ihr entleeren.

Entleeren Sie bei eingeschalteter Maschine das gesamte Produkt, das sich noch in der Schüssel befindet, mithilfe des Hebels am Wasserhahn.



Füllen Sie die Schüssel mit Wasser und stellen Sie den Thermostat auf 50°C (122°F). Lassen Sie das Gerät mindestens 15 bis 20 Minuten laufen. Wenn Sie diese Zeit verlängern, werden alle Produktreste, die an den Seiten der Schüssel haften, freigesetzt. Entleeren Sie den gesamten Inhalt der Schüssel mithilfe des Hebels am Wasserhahn.



Warnung: Das aus der Maschine ausgegebene Produkt hat eine sehr hohe Temperatur. Verbrühungsgefahr.

7.3 ENTFERNEN DER SCHÜSSEL



Warnung: Stellen Sie vor dem Entnehmen der Schüssel sicher, dass der Hauptschalter ausgeschaltet ist und die Maschine vom Stromnetz getrennt und ausreichend abgekühlt ist.



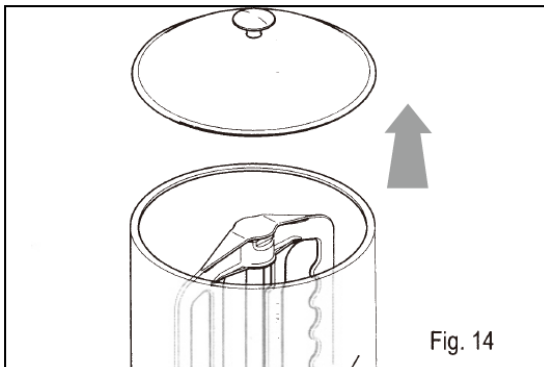
Das Entnehmen der Schüssel ist verboten, wenn sie das Produkt oder eine andere Flüssigkeit enthält.



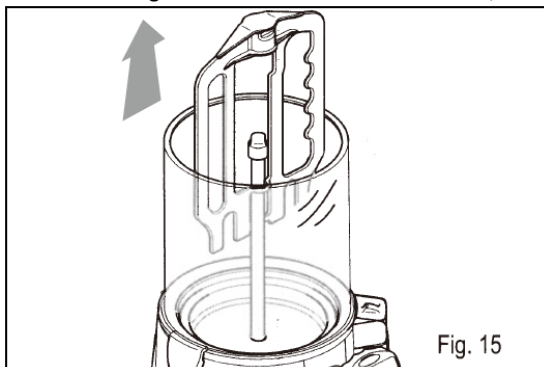
Das Entfernen der Schüssel und ihrer Einzelteile ist grundsätzlich wichtig, wenn die Maschine richtig gereinigt und desinfiziert werden soll.

Um die Schüssel richtig zu entfernen, gehen Sie wie folgt vor:

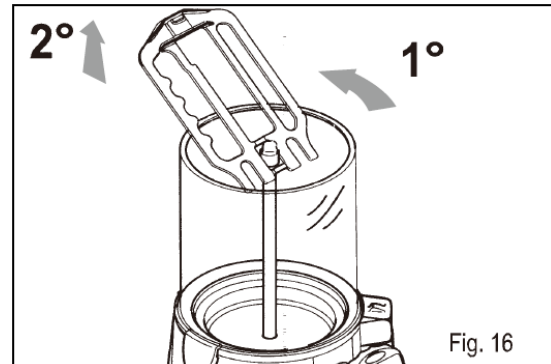
- Nehmen Sie den Deckel ab;



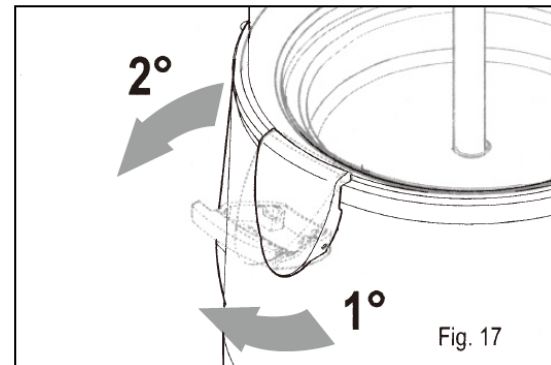
- Schieben Sie den Mixer nach oben, um ihn zu entfernen, und halten Sie ihn dabei in einer Linie mit der Mittelstange, bis der untere Schlitz des Mixers selbst auf gleicher Höhe mit dem Drehstift ist;



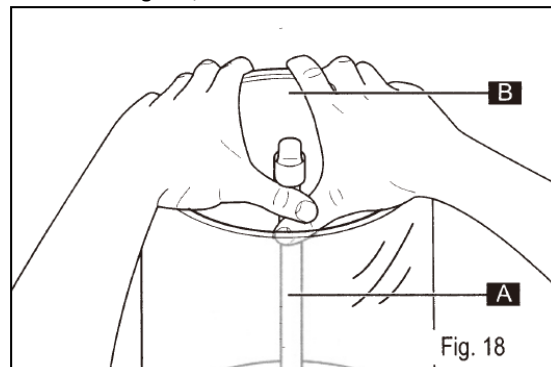
- Kippen Sie den Mixer und schieben Sie ihn nach oben, wie in der Abbildung dargestellt, um ihn vollständig zu entfernen;



- Haken Sie die Griffe zum Einhängen der Schüssel aus, wie in der Abbildung dargestellt, um die Schüssel vom Maschinenkörper zu lösen;

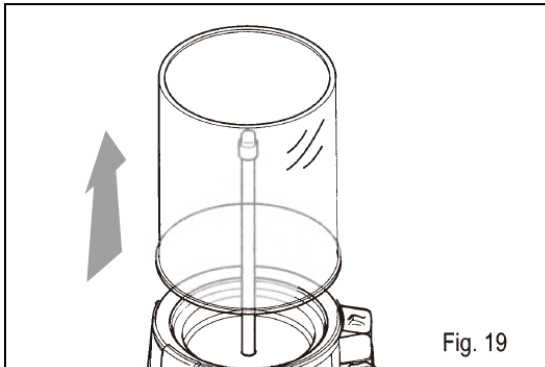


- Lösen Sie die Schüssel vom Maschinenkörper, indem Sie sie mit zwei Fingern vom festen Stahlteil der Mischschnecke (A) lösen und mit den anderen den äußeren Rand der Schüssel (B) greifen: Ziehen Sie die Schüssel allmählich stärker, bis sie sich aus ihrer Halterung löst;

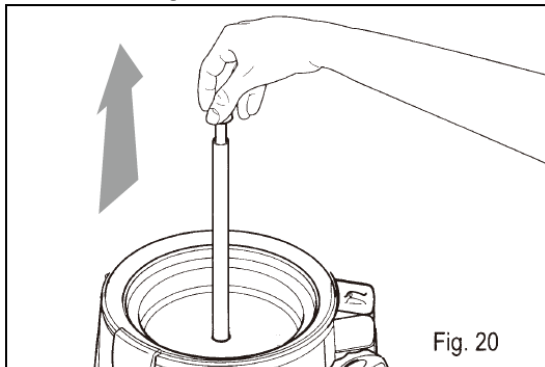




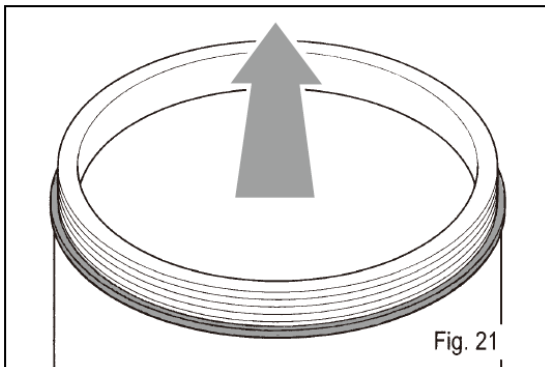
- Schieben Sie die Schüssel mit beiden Händen nach oben;



- Schieben Sie die Mischschnecke mit einer Hand nach oben, und achten Sie dabei darauf, sie am Drehstift zu greifen;



- Stellen Sie die Schüssel auf eine ebene Fläche und entfernen Sie die Dichtung mit beiden Händen, indem Sie sie in Pfeilrichtung nach oben schieben.



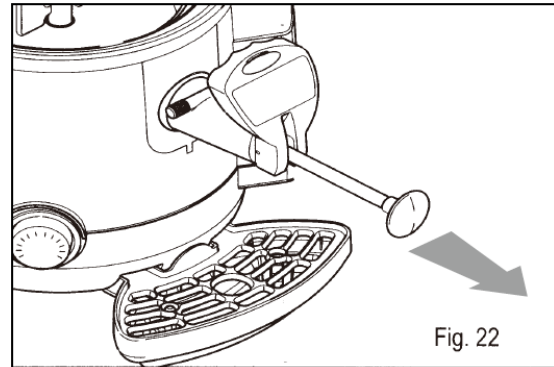
7.4 ENTFERNEN DES HAHNS



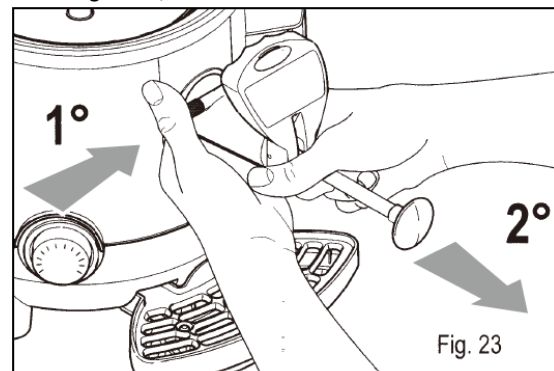
Das Entfernen des Hahns ist verboten, wenn sich in der Schüssel das Produkt oder eine andere Flüssigkeit befindet.

Um den Hahn zu entfernen, gehen Sie wie folgt vor:

- Bewegen Sie die Stange in die maximale Ausgabe-position;



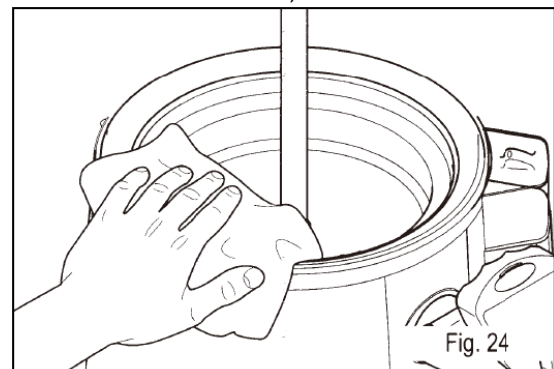
- Drücken Sie den Knopf (A), der den Hahn an der Maschine befestigt, und entfernen Sie dann den Hahn (B) mit beiden Händen, wie in der Abbildung dargestellt;



7.5 REINIGEN DER WANNE

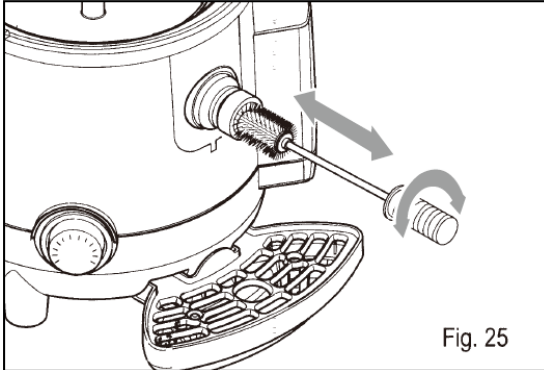
Es ist notwendig, alle an der Wanne angebrachten Teile zu entfernen.

- Entfernen Sie alle in der Schüssel verbliebenen Produkte, siehe Abschnitt 7.2;
- Nehmen Sie die Schüssel aus der Maschine, siehe Abschnitt 7.3;
- Entfernen Sie den Hahn aus der Maschine, siehe Abschnitt 7.4;
- Reinigen Sie die gesamte Oberfläche der Wanne mit einem feuchten Tuch und/oder einem nicht scheuernden Schwamm;

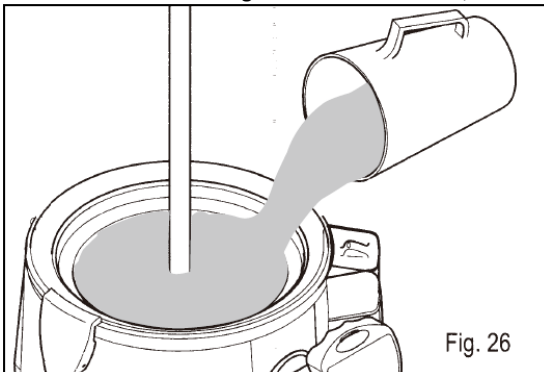




- Reinigen Sie den Kanal, der die Schüssel und den Hahn verbindet, mit einer Reinigungsbürste, wie in der Abbildung dargestellt;



- Bringen Sie den Hahn wieder an;
- Gießen Sie ein wenig Wasser in die Wanne;

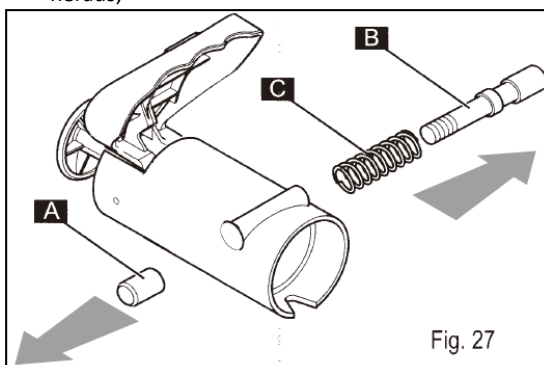


- Lassen Sie das gesamte Wasser über den Hahn aus der Wanne ab, um kleine Produktrückstände im Ausgabekanal zu entfernen.

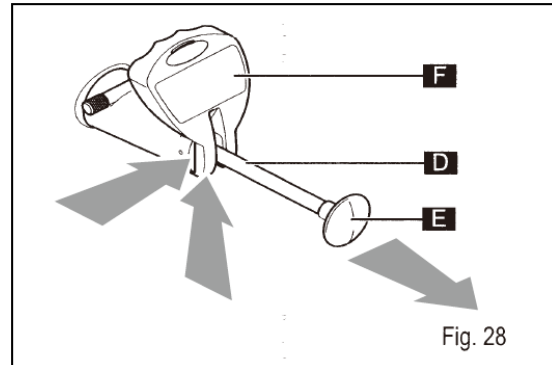
7.6 ZERLEGEN DES HAHNS

Um das Innere des Hahns gründlicher zu reinigen, zerlegen Sie ihn wie folgt:

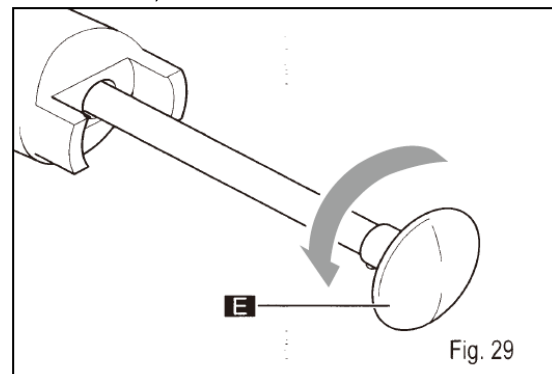
- Entfernen Sie den Hahn gemäß den in Abschnitt 7.4 aufgeführten Schritten;
- Stellen Sie den Hahn auf eine saubere, flache Oberfläche, lösen und entfernen Sie dann die Schraube (A), mit der der Knopf an der Maschine befestigt ist, und ziehen Sie dann den Stift (B) und die entsprechende Feder (C) aus der Halterung heraus;



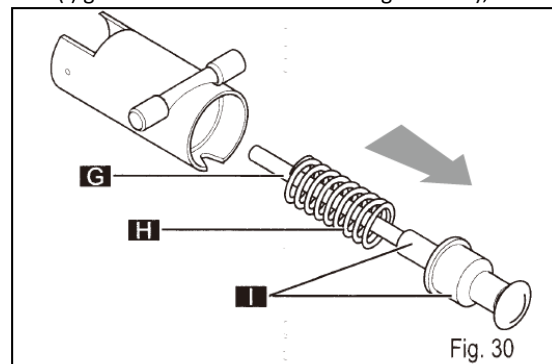
- Ziehen Sie die Stange (D) ganz aus dem Knopf (E) heraus und drücken Sie dann den Hebel (F) von unten nach oben, bis er aus der Stiftführung herauskommt, wie in der Abbildung dargestellt;



- Schrauben Sie den Knopf (E) ab, indem Sie ihn gegen den Uhrzeigersinn drehen, während Sie die Stange festhalten;

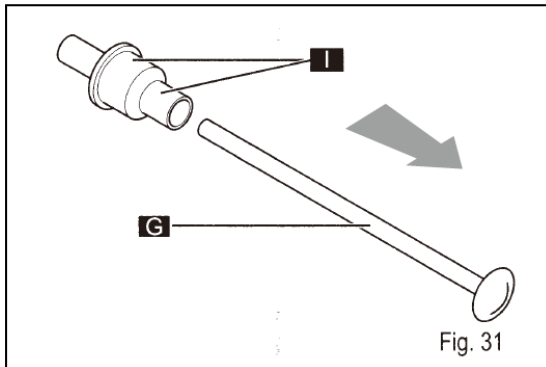


- Ziehen Sie die Stange (G) und die Feder (H) aus dem Hahnkörper heraus (die Stift-/Dichtungsbaugruppe (I) gleitet zusammen mit der Stange heraus);

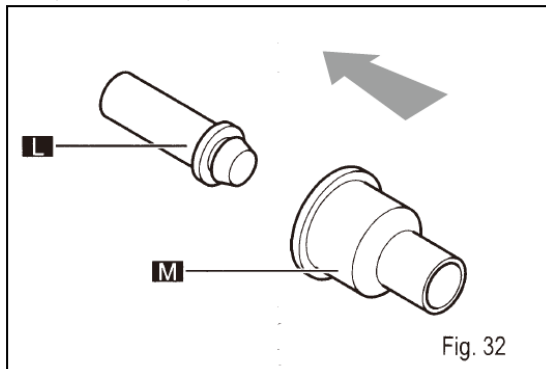




- Den Stab (G) von der Stift-/Dichtungsbaugruppe (I) lösen;



- Den Stift (L) von der Dichtung (M) abmontieren (durch Ziehen).



7.7 WASCHEN UND DESINFIZIEREN DER KOMPONENTEN

Alle zuvor zerlegten Komponententeile (Hahn, Mischer, Mischschnecke, Dichtung und Schüssel) müssen sorgfältig gewaschen und desinfiziert werden.

Um dieses Verfahren korrekt durchzuführen, gehen Sie wie folgt vor:

- Füllen Sie einen Behälter mit Reinigungsmittel und heißem Wasser mit einer Temperatur von 50-60 °C (122-140 °F);
- Waschen Sie die zerlegten Komponenten mit der Reinigungslösung;
- Spülen Sie mit heißem Wasser;
- Reinigen Sie nur mit warmem Wasser und einem Desinfektionsmittel aus Natriumhypochlorit, das in Wasser verdünnt ist, um eine aktive Chloridkonzentration von 0,02 % zu erreichen;
- Tauchen Sie die zerlegten Komponententeile in die Desinfektionslösung;
- Lassen Sie die Komponenten etwa 30 Minuten lang im Behälter mit der Desinfektionslösung;
- Mit klarem Wasser abspülen;
- Den Deckel der Schüssel reinigen (siehe Abschnitt 7.11);
- Die Komponenten auf eine saubere Oberfläche legen und trocknen.

7.8 MONTAGE DER GEWASCHENEN KOMPONENTEN

Alle gewaschenen und desinfizierten Komponenten müssen sorgfältig wieder zusammengebaut und anschließend unter Befolgung der entsprechenden Schritte wieder in die Maschine eingebaut werden.

7.8.1 MONTAGE DER SCHÜSSEL

Warnung: Stellen Sie sicher, dass die Dichtung richtig eingesetzt ist; eine falsch eingesetzte Dichtung führt zum Austreten des Produkts; Verbrühungsgefahr!

Überprüfen Sie vor dem Einbau der Schüssel in die Maschine, ob die Dichtung richtig eingesetzt ist.

Abb. 33 zeigt eine richtig eingesetzte Dichtung; hier haftet die Dichtung perfekt am Schüsselrand.

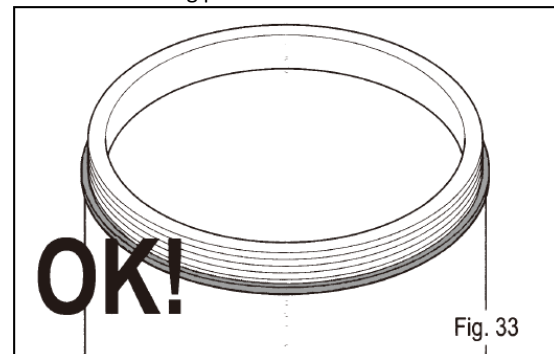
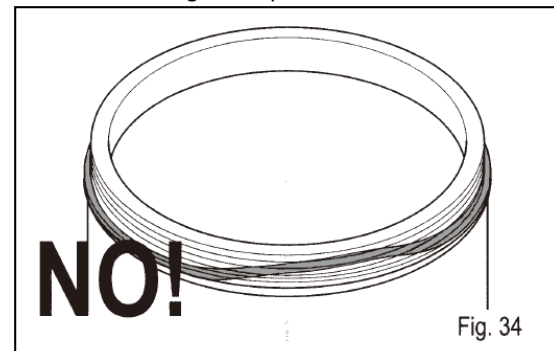
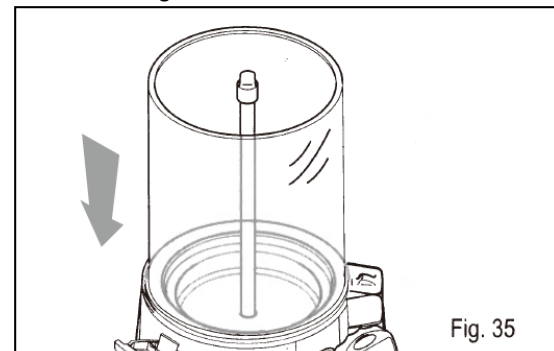


Abb. 34 zeigt eine nicht richtig eingesetzte Dichtung; hier haftet die Dichtung NICHT perfekt am Schüsselrand.



5-Liter- und 10-Liter-Modelle:

- Setzen Sie die Schüssel wieder ein, indem Sie sie fest nach unten drücken, nachdem Sie die Dichtung mit Wasser angefeuchtet haben.





VERWENDEN SIE KEIN FETT ODER VASELINE.



Achtung: Stellen Sie sicher, dass die Schüssel richtig in der Maschine sitzt. Eine falsch eingesetzte Schüssel führt dazu, dass das Produkt ausläuft. Es besteht Verbrühungsgefahr!

Abb. 36 zeigt eine richtig montierte Schüssel. Hier liegt die Schüssel perfekt am Rand der Maschine an.

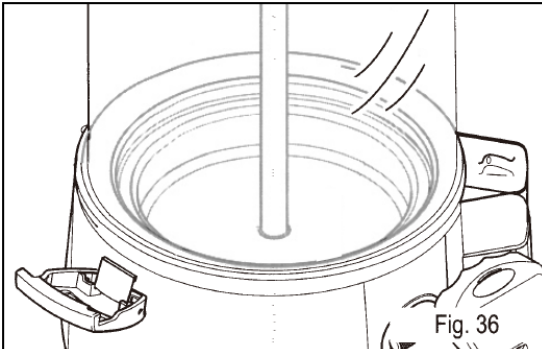
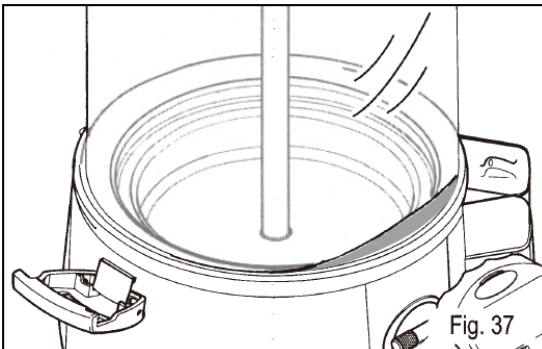
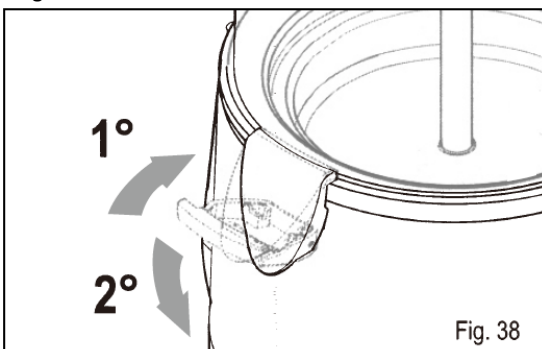


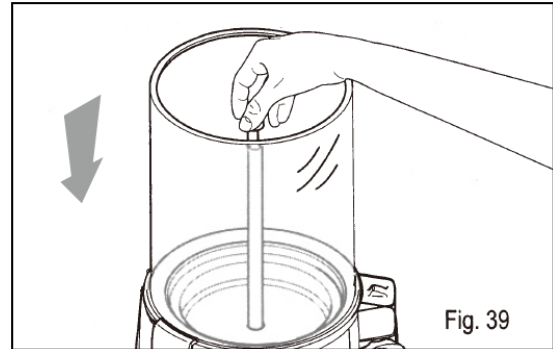
Abb. 37 zeigt eine nicht richtig montierte Schüssel. Hier liegt die Schüssel NICHT perfekt am Rand der Maschine an.



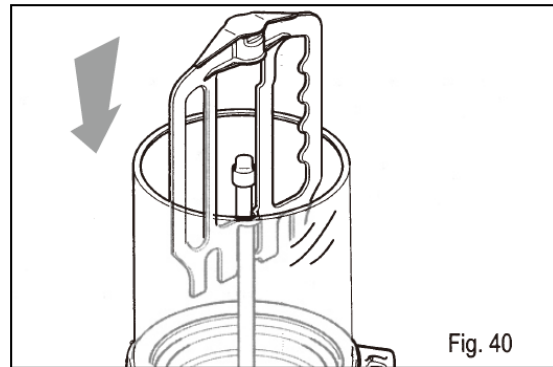
Befestigen Sie die Schüssel mit den entsprechenden Hakengriffen am Maschinenkörper, wie in der Abbildung dargestellt.



Setzen Sie die Mischschnecke in ihre Halterung ein.



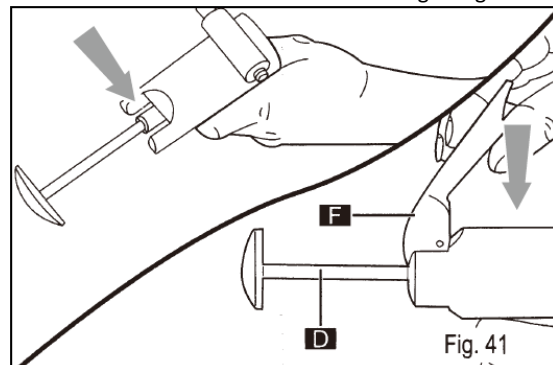
Setzen Sie den Mischer in umgekehrter Reihenfolge in seine Halterung ein, indem Sie die in Abschnitt 7.3 beschriebenen Schritte befolgen.



7.8.2 MONTAGE DES HAHNS

Um den Hahn wieder zusammensetzen, führen Sie alle zuvor dargestellten Demontageschritte in umgekehrter Reihenfolge aus (Abb. 32 bis Abb. 27).

Um den Hebel (F) zu montieren, drücken Sie die Stange (D) von innen, bis die Führungen hervorstehen; setzen Sie dann den Hebel ein und lassen Sie die Stange langsam los.





7.8.3 MONTAGE DES HAHNS

Um den Hahn wieder richtig anzubringen, gehen Sie wie folgt vor:

- Halten Sie den Knopf gedrückt und stellen Sie sicher, dass die Stange vollständig herausgezogen ist;
- Setzen Sie den Hahn in die dafür vorgesehene Aufnahme ein und drücken Sie, bis der Druckknopf in seine Ausgangsposition zurückkehrt.

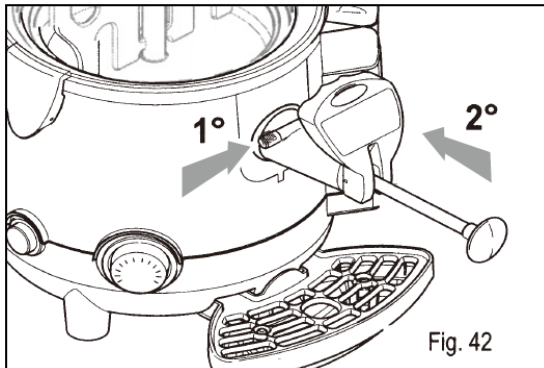


Fig. 42

7.9 INNENDESINFEKTIONSBEHANDLUNG

Warnung! Der Thermostat muss auf -OFF- eingestellt sein.

Führen Sie die folgenden Schritte aus:

- Bereiten Sie die Desinfektionslösung vor (siehe Abschnitt 7.7);
- Füllen Sie die Schüssel mit der Desinfektionslösung;
- Lassen Sie die Lösung etwa 30 Minuten einwirken;
- Leeren Sie die Desinfektionslösung aus der Schüssel;
- Spülen Sie dann die Schüssel und die Innenflächen gründlich aus, um alle Rückstände der Desinfektionslösung zu entfernen.

7.10 REINIGUNG DER TROPFSCHALE



Die Tropfschale muss täglich geleert und gereinigt werden.



Hinweis: Die Schale muss jedes Mal geleert und gereinigt werden, wenn der rote Schwimmer am Gitter nach oben steigt; so wird verhindert, dass Flüssigkeit austritt.

- Heben Sie die Schale mit Gitter an und ziehen Sie sie nach außen, um sie aus ihrer Halterung zu entfernen;

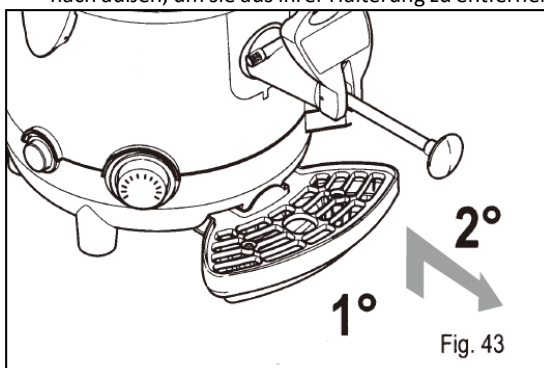


Fig. 43

- Waschen Sie Schale und Gitter separat mit lauwarmem Wasser;
- Trocknen Sie alle Komponenten;
- Positionieren Sie das Gitter wieder auf der Schale;
- Setzen Sie die Schale wieder ein und drücken Sie sie nach unten, um sie an der Maschine zu befestigen.

7.11 REINIGUNG DES SCHÜSSELDECKELS

- Nehmen Sie den Schüsseldeckel von der Maschine ab;
- Reinigen Sie die Oberfläche mit einem feuchten Tuch und/oder einem nicht scheuernden Schwamm, der mit einem Desinfektionsmittel getränkt ist;
- Spülen Sie gründlich mit klarem Wasser nach.

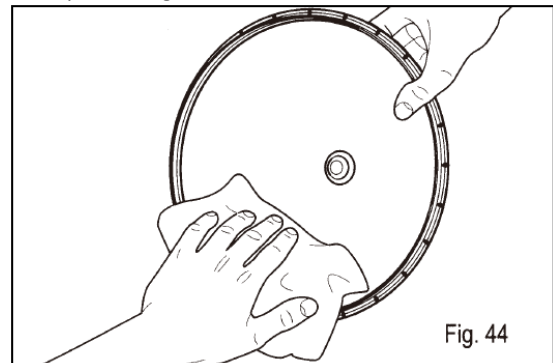


Fig. 44

7.12 ENTLEREEN DES KESSELS



Warnung: Während der Kessel entleert wird, muss die Maschine vom Stromnetz getrennt sein.



Warnung: Der Kessel darf nur entleert werden, wenn die Schüssel leer ist und die Maschine ausreichend abgekühlt ist.



Die Verwendung von Wasser aus dem Kessel tank für Lebensmittel ist strengstens untersagt.

Um den Kessel zu entleeren, gehen Sie wie folgt vor:

- Ziehen Sie den Stecker der Maschine;
- Entfernen Sie die Tropfschale, wie im entsprechenden Abschnitt 7.8 beschrieben;
- Entfernen Sie die Kappe (A);

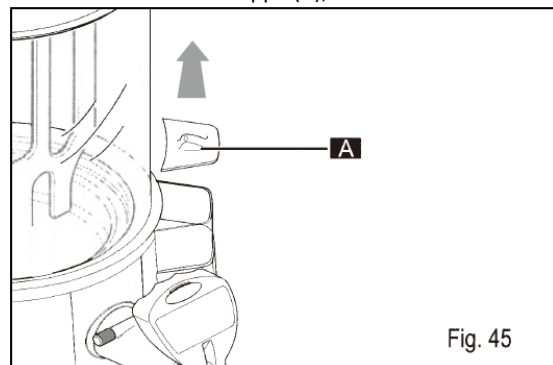
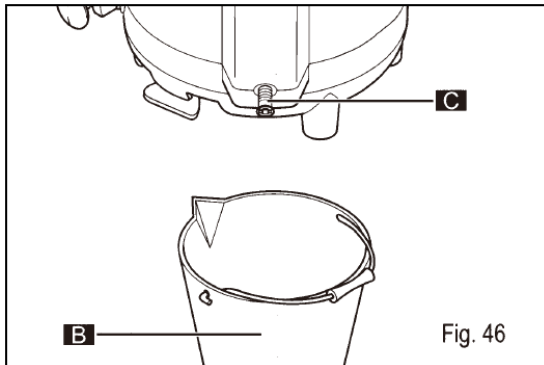


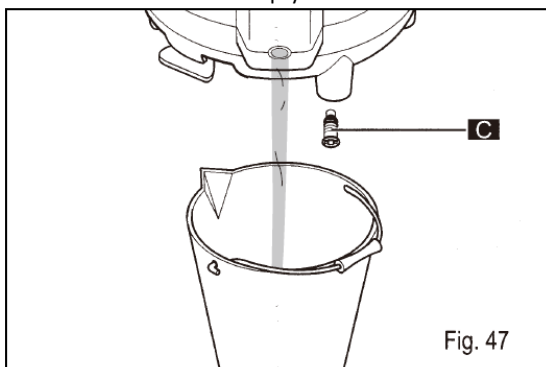
Fig. 45



- Stellen Sie die Maschine auf eine ebene Fläche und richten Sie die Wasserstandsanzeige des Kessel tanks zum äußeren Rand der Auflagefläche aus;
- Stellen Sie einen Behälter (B) mit einem Fassungsvermögen von mehr als 3 Litern unter die Entlüftungskappe (C);
- Schrauben Sie die Entlüftungskappe mit einer Münze oder einem Inbusschlüssel ab;



- Pull out the cap (C) with a firm movement and wait for all the water to empty out from the boiler tank.



7.13 CLEANING AND DESCALING THE BOILER TANK



The boiler tank needs to be descaled on a regular basis; this operation is recommended at least once every 3 months.

- Follow the steps for draining out the boiler tank, see paragraph 7.11;
- Insert and secure the boiler tank bleeder cap;
- Insert water plus scale remover for coffee machines into the tank (follow the instructions on the scale remover package);
- Leave the solution to act for the time indicated in the instructions of the solution itself;
- Empty out the solution from inside the boiler tank, see paragraph 7.11;
- Rinse out the tank with plenty of water, by filling and emptying it, see paragraphs 6.1 and 7.11.

7.14 RESETTING THE TEMPERATURE SENSOR



The temperature sensor can only be reset by a specialized technician, who must organize all of the operating sequences and the use of the correct equipment to operate in strict compliance with the current laws to this regard.



Warning: after the temperature sensor has intervened to shut down the machine, it is indispensable to drain out any product contained inside the bowl and to clean all components before restoring the machine functions.

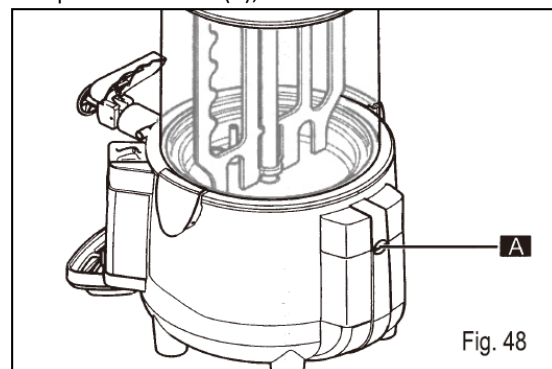


Warning: before resetting the temperature sensor, switch off the machine using the relevant switch and unplug it from the electricity mains, then wait for the machine to cool down.

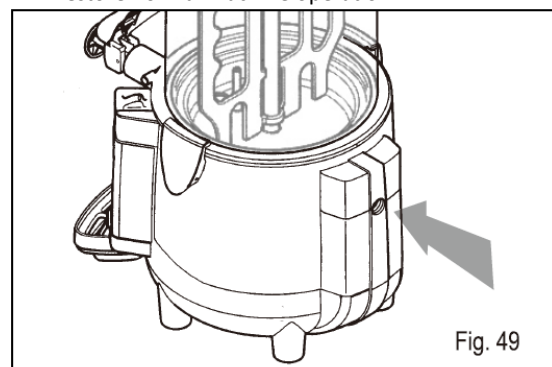


The operator is strictly prohibited from resetting the boiler tank minimum water level temperature sensor.

- Use a suitable tool to loosen and remove the protective screw (A);



- Use a suitable tool to press the button inside to restore normal machine operation.





7.15 PERIODIC MAINTENANCE



The machine must be periodically checked (at least once a year) by a specialized technician. This periodic check serves to ensure that all the components installed and the machine itself are maintained at a high level of safety.



Any worn components must be replaced by an original spare part.



It is forbidden to use the machine when even only one of its components is faulty or worn. Users are forbidden to perform periodic maintenance.

8. SCRAPPING



Electrical and electronic equipment needs to be disposed of according to the European Directive 2002/96/CE and in compliance with the standards and regulations in force to the country in which the machine is used.



Such equipment may not be disposed of as normal municipal solid waste but must rather be separately collected to optimize recovery and recycling of the materials used to manufacture them.



All products are marked with the crossed out wheeled bin symbol are a reminder of separate collection obligations. Correct observance of all of the provisions for the disposal of end-of-life products will contribute to safeguarding the environment.

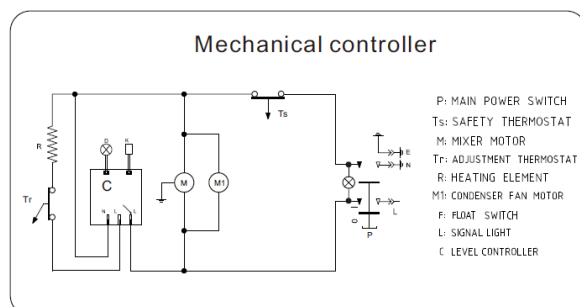
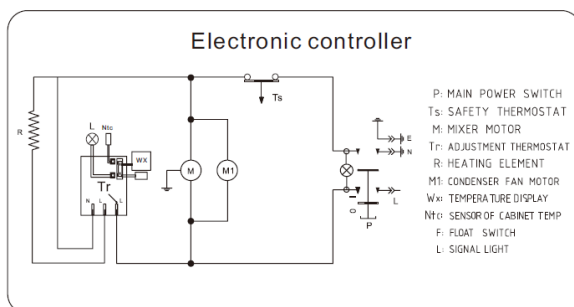


9. FEHLERSUCHE

PROBLEM	URSACHE	ABHILFE
Heizt nicht	Kein Strom	Stellen Sie sicher, dass die Maschine richtig eingesteckt ist.
	Schalter auf -OFF-	Stellen Sie den Schalter auf -ON-
	Thermosonde-Eingriff	Setzen Sie den Thermoschutz zurück, wie in Abschnitt 7.14 beschrieben
	Thermostat auf „O“	Thermostat einstellen
	Der Wasserstand im Kesseltank ist unter den Mindeststand gefallen, wodurch das Alarmsystem aktiviert wurde.	Kesseltank auffüllen
Alarmleuchte leuchtet und summt	Der Wasserstand im Kesseltank ist unter den Mindeststand gefallen	Kesseltank auffüllen
Rührflügel dreht sich nicht	Kein Strom	Stellen Sie sicher, dass die Maschine richtig eingesteckt ist.
	Die Antriebswelle ist nicht richtig eingesetzt	Entfernen Sie die Welle und setzen Sie sie dann richtig ein, wie in Abschnitt 7.8.1 beschrieben
	Thermosonde-Eingriff	Setzen Sie den Thermoschutz zurück, wie in Abschnitt 7.14 beschrieben
	Motorfehler	Wenden Sie sich an das Servicepersonal
	Ein-/Ausschalter ein (0)	Schalter einschalten
Wasserhahn leckt	Er wurde nicht richtig eingesetzt	Entleeren Sie die Maschine und setzen Sie den Wasserhahn gemäß den Anweisungen in Abschnitt 7.8.3 ein
	Auslauf und Gummi sind verschmutzt	Entleeren Sie die Maschine und reinigen Sie den gesamten Wasserhahn gründlich; setzen Sie ihn gemäß den Anweisungen in Abschnitt 7.8.3 wieder auf die Maschine ein
	Die Dichtung des Füllstandsrohrs muss ausgetauscht werden	Wenden Sie sich an das Servicepersonal
Produkte treten aus dem Boden der Schüssel aus	Die Schüssel wurde nicht richtig eingesetzt	Entleeren Sie die Maschine, entfernen Sie die Schüssel und setzen Sie sie gemäß den Anweisungen in Abschnitt 7.8.1 ein
	Die Dichtung muss ausgetauscht werden	Wenden Sie sich an das Servicepersonal
Maschinenabschaltung	Kein Wasser im Kesseltank	Kesseltank auffüllen

Wenn die Maschine aus anderen als den in dieser Tabelle aufgeführten Gründen nicht richtig funktioniert oder die vorgeschlagenen Abhilfemaßnahmen das Problem nicht lösen, wenden Sie sich an einen Fachtechniker.

10. SCHALTPLAN





1. INFORMATIONS GÉNÉRALES

1.1 FABRICANT

Les coordonnées du fabricant sont indiquées sur la plaque signalétique, illustrée sur la première et/ou la dernière page du manuel.

1.2 PERSONNES AUTORISÉES

Deux types de personnes peuvent accéder à la machine pour des finalités différentes.

Utilisateur

Une personne qui a une formation technique adéquate pour préparer la machine utilisée pour distribuer des boissons au chocolat chaud, dans le respect des normes d'hygiène en vigueur.

Après avoir lu ce manuel, elle sera capable de :

- Effectuer les opérations normales de chargement et/ou de remplacement du produit ;
- Distribuer correctement le produit ;
- Nettoyer et assainir la machine.

Technicien spécialisé

Une personne qui a lu ce manuel et qui a reçu une formation spécifique pour l'installation, l'utilisation et l'entretien de la machine :

- Elle doit être capable d'effectuer des réparations en cas de pannes graves et bien connaître ce manuel et toutes les informations concernant la sécurité ;
- Elle doit être capable de comprendre le contenu du manuel et d'interpréter correctement les dessins et les schémas ;
- Elle doit connaître les normes sanitaires, de prévention des accidents, technologiques et de sécurité les plus importantes ;
- Elle doit avoir une expérience spécifique dans l'entretien des machines de distribution de chocolat chaud ;
- Il doit savoir comment se comporter en cas d'urgence, où trouver les équipements de sécurité individuels et comment les utiliser correctement.



Les personnes qui ne répondent pas aux exigences ci-dessus ne doivent pas être autorisées à utiliser la machine.

1.3 PRESENTATION DU MANUEL

L'Acheteur doit lire très attentivement les informations contenues dans ce manuel.

1.3.1 OBJECTIF ET CONTENU

Le but de ce manuel est de fournir à l'Acheteur toutes les informations nécessaires concernant l'installation, l'entretien et l'utilisation de la machine à chocolat chaud.

Il existe deux versions de la machine à chocolat : cuve de 5 L et de 10 L, mais les chiffres se réfèrent toujours à la version de 10 litres, car ils s'appliquent également à la version de 5 litres.



Avant d'effectuer toute opération sur la machine, les utilisateurs et les techniciens spécialisés doivent lire attentivement les instructions qui y figurent.

En cas de doute sur l'interprétation correcte de ces instructions, contactez le fabricant pour demander les explications nécessaires.



Vous ne devez effectuer aucun type d'opération avant d'avoir lu et compris parfaitement le contenu de ce manuel.

1.3.2 À QUI S'ADRESSE LA LECTURE DU MANUEL

Ce manuel est destiné aux utilisateurs et aux techniciens spécialisés. **Les utilisateurs ne doivent pas tenter d'effectuer des opérations réservées aux techniciens qualifiés.**

Le fabricant ne sera pas responsable des dommages ou blessures causés par le non-respect de cette règle. Le manuel d'instructions fait partie intégrante du produit acheté et doit donc être remis à tout propriétaire ultérieur.

1.3.3 COMMENT CONSERVER LE MANUEL

Ce manuel d'instructions doit être conservé à proximité immédiate de la machine. Des précautions appropriées doivent être prises pour garantir que le manuel reste intact et lisible au fil du temps :

- Utilisez le manuel de manière à ne pas endommager son contenu ;
- Ne retirez, déchirez ou réécrivez en aucun cas des parties du manuel ;
- Conservez le manuel dans un endroit protégé de l'humidité et de la chaleur afin de préserver la qualité de l'impression et la lisibilité de toutes ses parties.



Si le présent manuel d'instructions est endommagé ou perdu, demandez immédiatement un autre exemplaire au fabricant ou au distributeur agréé du pays de l'utilisateur.



1.3.4 SYMBOLES UTILISÉS

AVERTISSEMENT GÉNÉRAL DE DANGER

Il indique un danger qui peut également mettre en danger la vie de l'utilisateur. Dans ce cas, il faut faire preuve de la plus grande prudence et prendre toutes les précautions nécessaires pour opérer en toute sécurité.



DANGER D'ÉLECTROCUTION

Il avertit le personnel concerné que l'opération décrite peut entraîner un choc électrique si toutes les précautions de sécurité nécessaires ne sont pas prises.



IMPORTANT

Il indique une mise en garde, une remarque sur les fonctions clés ou des informations utiles. Une attention particulière doit être portée aux parties de texte marquées par ce symbole.



INTERDIT

Ce symbole est utilisé pour indiquer des opérations qui doivent absolument être évitées car elles créent des dangers pour l'utilisateur et toute autre personne présente à proximité.



NE PAS ÉTEINDRE LES INCENDIES AVEC DE L'EAU

La présence de ce symbole met en garde contre toute tentative d'extinction d'incendie avec de l'eau ou toute substance contenant de l'eau.



PROTECTION INDIVIDUELLE

Lorsque ce symbole apparaît à côté d'une description, cela signifie que des équipements de sécurité individuelle doivent être utilisés, car il existe un risque implicite d'accident.



TECHNICIEN SPÉCIALISÉ

Il identifie les opérations qui ne peuvent être effectuées que par du personnel technique qualifié.



PIÈCES MOBILES DE LA MACHINE

Il identifie le danger dû aux pièces mobiles présentes dans la machine. Éteignez la machine avant d'effectuer toute opération.



2. DESCRIPTION DE LA MACHINE

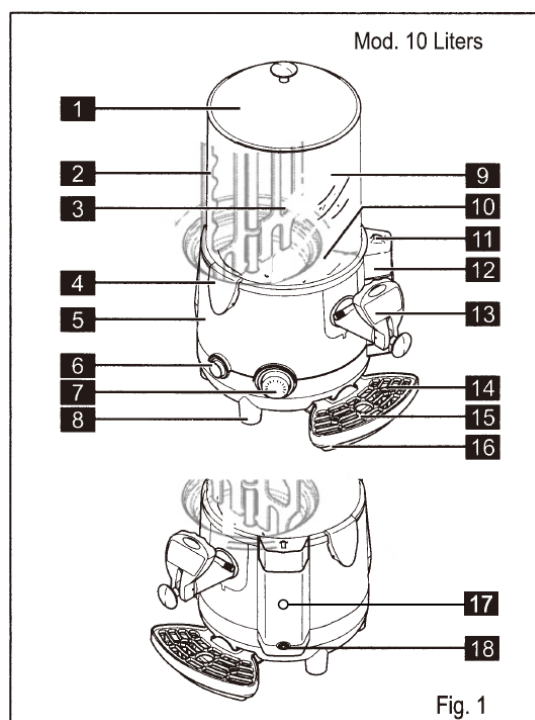
2.1 UTILISATION DE LA MACHINE

La machine à usage professionnel que vous avez achetée est destinée à produire des boissons au chocolat chaud.

2.2 COMPOSANTS PRINCIPAUX

Les principaux composants de la machine sont les suivants :

1. Couvercle de la cuve
2. Cuve (5 ou 10 litres)
3. Vis sans fin de mélange
4. Poignées d'accrochage de la cuve
5. Corps de la machine
6. Interrupteur général
7. Thermostat de réglage de la température du chocolat (°C/°F)
8. Corps inférieur
9. Mélangeur
10. Cuve
11. Couvercle du plateau indicateur de niveau d'eau de la cuve de la chaudière
12. Plateau indicateur de niveau d'eau de la cuve de la chaudière
13. Groupe de distribution du produit (robinet)
14. Indicateur de niveau maximum du bac de récupération
15. Grille du bac de récupération
16. Bac de récupération
17. Sécurité de surchauffe





2.3 DONNÉES TECHNIQUES

Les données techniques et les caractéristiques sont énumérées ci-dessous.

Modèle	7537.0020	7537.0025
Dimensions de la machine (L x P x H)	280x410x564 mm	280x410x580 mm
Poids (cuve vide)	7.3 kg	8 kg
Puissance électrique maximale (W)	Voir la plaque signalétique sur le côté de la machine	
Tension de service (V)		
Température ambiante de fonctionnement	Min. 10°C (50°F) Max. 32°C (89.6°F)	
Nombre de cuves	1	1
Capacité de chaque cuve	5 litres	10 litres
Niveau de pression acoustique	<< 70 dB	
Classe	N	

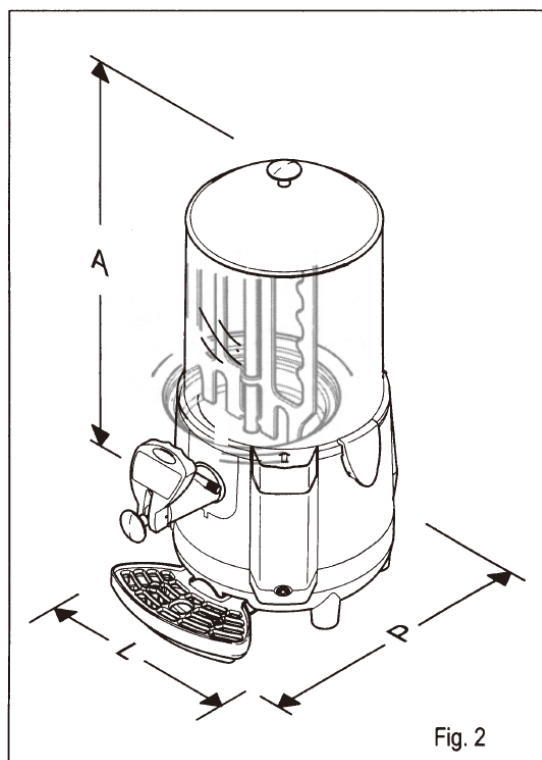


Fig. 2



Remarque : le fabricant se réserve le droit d'apporter des modifications à la machine sans préavis.



Important : toute modification et/ou ajout d'accessoires doit être explicitement approuvé et mis en œuvre par le fabricant.



3. SÉCURITÉ



3.1 RÈGLES GÉNÉRALES DE SÉCURITÉ

- Lire attentivement l'intégralité du manuel d'instructions.
- Le raccordement au réseau électrique doit être conforme aux normes de sécurité en vigueur dans le pays de l'utilisateur.
- La machine doit être branchée sur une prise électrique :
 - compatible avec la fiche fournie avec la machine ;
 - de dimensions conformes aux données figurant sur la plaque signalétique située sur le côté de la machine ;
 - correctement mise à la terre ;
 - connectée à un système doté d'un interrupteur différentiel et d'un disjoncteur ;
 - connectée à un système certifié selon les normes et réglementations en vigueur dans le pays d'utilisation.
- Le cordon d'alimentation ne doit pas être :
 - mis en contact avec un liquide de quelque type que ce soit : danger de décharge électrique et/ou d'incendie ;
 - écrasé et/ou mis en contact avec des surfaces tranchantes ;
 - utilisé pour déplacer la machine ;
 - utilisé s'il présente des dommages ;
 - manipulé avec des mains humides ou mouillées ;
 - enroulé en bobine lorsque la machine est allumée ;
 - altéré.
- NE PAS :
 - Installer la machine d'une manière autre que celle décrite au chapitre 5.
 - Installer la machine dans un endroit où elle pourrait être exposée à des projections d'eau.
 - Utiliser la machine à proximité de substances inflammables et/ou explosives.
 - Laisser les sacs en plastique, le polystyrène, les clous, etc. à la portée des enfants, car ils constituent des sources potentielles de danger.
 - Permettre aux enfants de jouer et de rester à proximité de la machine.
 - Utiliser des pièces de rechange autres que celles recommandées par le fabricant.
 - Apporter des modifications techniques à la machine.
 - Plonger la machine dans un liquide de quelque nature que ce soit.
 - Pulvériser de l'eau sur la machine pour la laver.
 - Utiliser la machine d'une manière autre que celle indiquée dans ce manuel.



- Utiliser la machine lorsque l'on n'est pas en pleine possession de ses facultés mentales et physiques : sous l'influence de drogues, d'alcool, etc.
- Installer la machine sur d'autres équipements.
- Utiliser la machine dans une atmosphère explosive ou agressive ou en présence d'une forte concentration de poussières ou de substances huileuses en suspension dans l'air.
- Utiliser la machine dans un endroit où il existe un risque d'incendie.
- Utiliser la machine pour distribuer des substances non compatibles avec les spécifications de la machine.
- Nettoyer ou entretenir la machine lorsque l'interrupteur principal est sur ON ou avec la fiche insérée dans la prise secteur.
- Cet appareil n'est pas destiné à être utilisé par des personnes (y compris les enfants) ayant des capacités physiques, sensorielles ou mentales réduites, ou manquant d'expérience et de connaissances, à moins qu'elles ne soient surveillées ou instruites concernant l'utilisation de l'appareil par une personne responsable de leur sécurité.
- Les enfants doivent être surveillés pour s'assurer qu'ils ne jouent pas avec l'appareil.
- Avant de nettoyer la machine, assurez-vous qu'elle est débranchée ; attendez que la machine ait suffisamment refroidi.
- Ne pas nettoyer la machine avec de l'essence et/ou des solvants de quelque nature que ce soit.
- Les travaux de réparation ne peuvent être effectués que par un centre de service agréé par le fabricant et/ou par du personnel spécialisé et formé.
- Ne pas placer la machine à proximité d'appareils de chauffage, tels que des cuisinières ou des radiateurs.
- En cas d'incendie, utiliser des extincteurs au dioxyde de carbone (CO₂). N'utilisez pas d'extincteurs à eau ou à poudre.



En cas d'utilisation non conforme, tous les droits de garantie seront annulés et le fabricant décline toute responsabilité en cas de dommages corporels et/ou matériels.

Sont considérés comme utilisation non conforme :

- Toute utilisation autre que celle prévue et/ou avec des méthodes autres que celles décrites dans le présent document ;
- Toute opération sur la machine contraire aux instructions fournies dans le présent document ;
- Utilisation de la machine après modification de composants et/ou changement de dispositifs de sécurité ;
- Utilisation de la machine après réparation avec des composants non autorisés par le fabricant ;
- Installation de la machine à l'extérieur.

3.2 FONCTIONS D'ARRÊT

L'arrêt de la machine s'effectue en éteignant l'interrupteur marche/arrêt.

3.3 PLAQUES

AUCUNE DES PLAQUES OU ÉTIQUETTES FOURNIES SUR LA MACHINE NE DOIT ÊTRE RETIRÉE, COUVERTE OU ENDOMMAGÉE, EN PARTICULIER CELLES RELATIVES À LA SÉCURITÉ.

EN CAS DE DOMMAGE À L'UNE DES PLAQUES SIGNALÉTIQUES DE LA MACHINE, CONTACTER LE FABRICANT POUR OBTENIR UN REMPLACEMENT.

3.4 SITUATIONS D'URGENCE



Attention : pour arrêter la machine en cas d'urgence, appuyer fermement sur l'interrupteur général pour le mettre sur -OFF-.



En cas d'incendie, il est nécessaire de dégager la zone afin de permettre l'intervention d'un personnel formé et équipé des équipements de protection appropriés. Utiliser toujours des extincteurs homologués et ne jamais utiliser d'eau ou de substances de nature incertaine.

4. MANUTENTION ET STOCKAGE



Toutes les opérations décrites au chapitre 4 peuvent être effectuées exclusivement par des techniciens également spécialisés dans le lavage et la manutention de machines emballées ou non emballées.



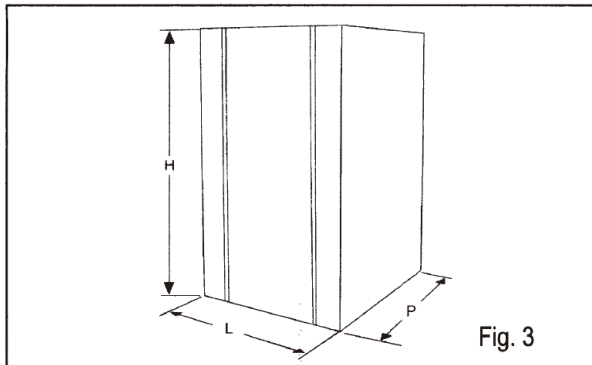
Ils doivent organiser toutes les séquences opérationnelles et utiliser des équipements adaptés, en fonction des caractéristiques et du poids de l'objet à manipuler et dans le strict respect des réglementations applicables en vigueur.

4.1 EMBALLAGE

La machine est expédiée prête à l'emploi et dans une boîte en carton. La boîte en carton est composée d'une base et d'un couvercle, fixés ensemble par deux sangles en nylon.

Dimensions et poids du contenant d'emballage

MODÈLE	LARGEUR	PROFON- DEUR	HAUTEUR	POIDS
7537.0020	385 mm	385 mm	525 mm	9.2 kg
7537.0025	385 mm	385 mm	645 mm	10.2 kg



Remarque : les dimensions et le poids du conteneur d'emballage sont approximatifs.

4.2 TRANSPORT ET MANUTENTION



Assurez-vous que personne ne se trouve à portée des opérations de levage et de manutention. Dans des conditions difficiles, il convient de désigner du personnel spécialisé pour surveiller les mouvements de la machine.

La manutention manuelle de la machine nécessite au moins une personne.



Soulevez le carton et transportez-le avec précaution, en évitant les itinéraires comportant des obstacles. Faites attention aux dimensions hors tout et aux éventuelles pièces qui dépassent.



Attention : ne faites aucune découpe supplémentaire sur le conteneur d'emballage.

La garantie ne couvre pas les dommages causés à la machine pendant son transport et sa manutention.

L'acheteur prendra en charge les frais de réparation ou de remplacement des pièces endommagées. Dans les conditions d'utilisation, la machine ne peut être déplacée en position verticale qu'après :

- Le bol a été vidé de son contenu (voir paragraphe 7.2) ;
- La chaudière a été vidée de son eau (voir paragraphe 7.12).



Attention ! La machine ne peut être déplacée que lorsqu'elle a suffisamment refroidi.

4.3 STOCKAGE



Avant de stocker la machine et à chaque fois que la machine est remise en marche après une période de stockage, elle doit être soigneusement nettoyée et désinfectée.

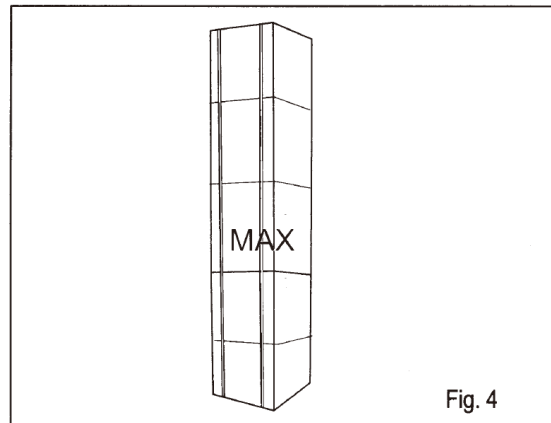


Avant de stocker la machine, vider le réservoir de la chaudière.

Attention : ne pas stocker plus de 5 machines empilées les unes sur les autres.

Si la machine doit rester inutilisée pendant une longue période, il faut prendre les précautions nécessaires concernant le lieu et la durée de stockage :

- Stocker la machine dans un endroit fermé ;
- Protéger la machine des chocs et des contraintes ;
- Protéger la machine de l'humidité et des fortes variations de température ;
- Éviter que la machine n'entre en contact avec des substances corrosives.



5. INSTALLATION

Toutes les opérations décrites au chapitre 5 doivent être effectuées exclusivement par des techniciens spécialisés, qui doivent organiser toutes les séquences opérationnelles et utiliser des équipements adaptés, dans le strict respect des normes en vigueur.

La machine doit être installée à l'intérieur, dans un local bien éclairé et bien aéré, avec un sol ferme, solide et plat (pente inférieure à 2°) ; pendant l'installation, placer la machine hors de portée des enfants et des personnes non autorisées.



La machine est du type surveillée et doit être installée dans des endroits où elle peut être surveillée par du personnel qualifié.



Attention : il est interdit d'installer la machine dans un endroit où elle peut être atteinte, touchée et/ou utilisée par des personnes autres que celles spécifiées au paragraphe « 1.2 – Personnes autorisées ».

La machine ne peut fonctionner que dans des endroits où la température ambiante est comprise entre 10°C (50°F) et 32°C (89,6°F).



5.1 ACCESSOIRES FOURNIS

Nettoyeur de tuyaux : pour un nettoyage correct du canal de distribution du chocolat chaud.

5.2 INSTALLATION-POSITIONNEMENT

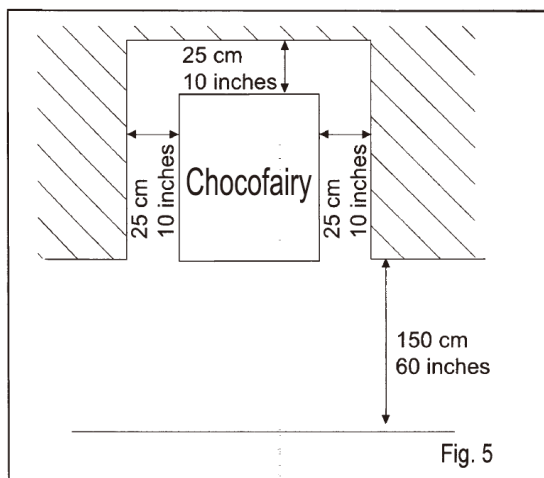
Il faut vérifier les points suivants :

- Le lieu d'installation de la machine a été convenablement préparé ;
- Que le local est convenablement éclairé, aéré, propre et hygiénique, et que la prise de courant est facilement accessible ;
- Que la surface sur laquelle la machine sera installée est ferme, plane et solide ;
- Que la machine soit placée à au moins 20 cm du bord du plan de travail utilisé.



Un espace libre suffisant doit être laissé autour de la machine pour permettre au personnel de travailler sans contrainte et également de quitter immédiatement la zone de travail en cas de besoin.

La Fig. 5 montre les espaces libres minimaux pour l'installation. Remarque : laisser un espace de 25 cm dans la partie supérieure.



La Fig. 5 montre les espaces libres nécessaires pour accéder :

- Aux commandes situées sur le côté gauche ;
- Aux pièces de la machine afin de pouvoir les entretenir en cas de panne.



Remarque importante : lors du levage de la machine, ne pas utiliser le groupe de distribution du produit (robinet), le tuyau de vidange, le plateau indicateur de niveau d'eau, les crochets de la cuve sur les poignées ou la cuve elle-même ; saisir le corps inférieur de la machine. Les éventuels dommages à la machine découlant du non-respect de ces règles ne seront pas couverts par la garantie.

Après avoir positionné le conteneur d'emballage à proximité du lieu d'installation, procédez comme suit :

- Ouvrir la partie avant du conteneur d'emballage ;
- Soulever la machine et la retirer de son emballage ;
- Puis la positionner sur le site préparé.



Avant la première mise en service de la machine, ses composants doivent être soigneusement nettoyés ; pour plus de détails, voir la section correspondante ci-après.

5.3 ÉLIMINATION DES MATÉRIAUX D'EMBALLAGE

Après avoir ouvert le carton, veillez à séparer les matériaux d'emballage selon leur type et à les éliminer conformément à la réglementation en vigueur dans le pays de l'utilisateur. Nous vous recommandons de conserver le carton pour un transport ultérieur.

5.4 RACCORDEMENT ÉLECTRIQUE



Ce travail ne peut être effectué que par du personnel technique spécialisé.

Avant d'insérer la fiche dans la prise secteur, assurez-vous que :

- La tension de ligne utilisée est la même que la valeur indiquée sur la plaque signalétique du fabricant ;
- L'interrupteur principal est réglé sur -OFF-.

Si la machine est raccordée au réseau électrique pour la première fois, cette opération doit être effectuée par un technicien spécialisé, tandis que les raccordements ultérieurs seront à la charge du client.

La machine doit être raccordée au réseau électrique au moyen de la fiche montée sur le cordon d'alimentation. Respecter impérativement :

- Les réglementations et normes techniques en vigueur au moment de l'installation ;
- Les données figurant sur la plaque signalétique apposée sur le côté de la machine.



Attention : la prise électrique doit être située à un endroit facilement accessible à l'utilisateur, de manière à ce qu'aucun effort ne soit nécessaire pour débrancher la machine du réseau électrique en cas de besoin.

Si le cordon d'alimentation est endommagé, vous devez le faire remplacer par le fabricant ou par un technicien spécialisé.

Il est interdit :



- d'utiliser des rallonges de tout type ;
- de remplacer la fiche d'origine ;
- d'utiliser des adaptateurs.



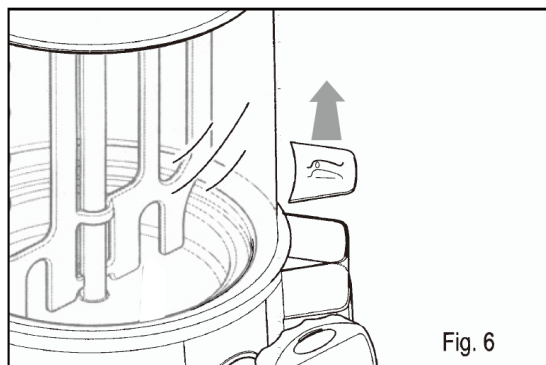
6. FONCTIONNEMENT

Avant de mettre la machine en marche pour la première fois, le personnel technique spécialisé doit vérifier son bon fonctionnement.

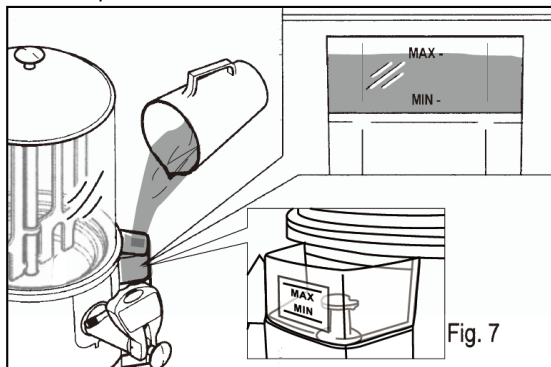
6.1 MISE EN MARCHÉ

Pour mettre la machine en marche, procéder comme suit :

- S'assurer que l'interrupteur général est sur OFF.
- Retirer le couvercle.



- Remplir le réservoir de la chaudière avec de l'eau en utilisant le plateau indicateur de niveau du réservoir de la chaudière, jusqu'à atteindre la valeur maximale indiquée sur le plateau lui-même, qui est marquée -MAX-.



Attention : remplir le réservoir de la chaudière en versant lentement de l'eau et vérifier pendant quelques secondes que le niveau d'eau a atteint le niveau -MAX- et qu'il est stable.

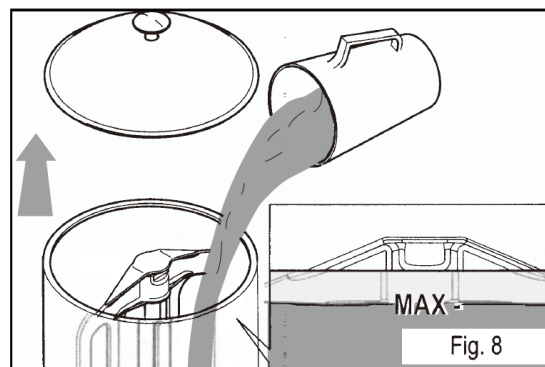


Lors du premier remplissage d'un réservoir de chaudière vide, la quantité d'eau nécessaire pour remplir complètement le réservoir est d'environ 3,25 litres.



Une fois que le voyant d'alarme s'allume avec un bourdonnement, remplir à nouveau le réservoir de la chaudière avec de l'eau, en évitant la surchauffe et les dommages à la machine.

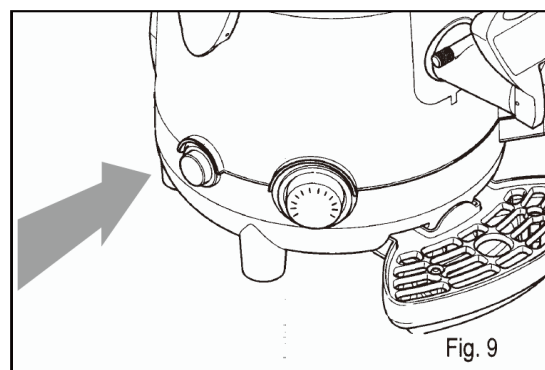
- Retirez le couvercle et versez dans le bol la boisson préparée selon les instructions du fabricant.
- Ne dépassez jamais le niveau maximum, qui est marqué -MAX- sur le plateau lui-même.



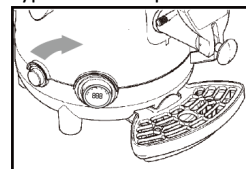
- Après avoir versé le produit dans le bol, remettez le couvercle en place.
- Assurez-vous que la fiche est bien insérée dans la prise secteur.
- Appuyez sur l'interrupteur principal pour démarrer la machine, le produit à l'intérieur du bol commencera à être mélangé.

LED : -MACHINE ALLUMÉE-

LED éteinte : -MACHINE ÉTEINTE-

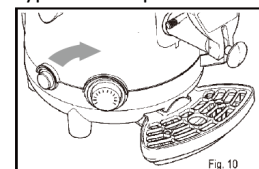


Type électronique



Régler la température à l'aide du bouton rotatif, le thermostat affichera alors la température actuelle.

Type mécanique



Régler le thermostat sur la température souhaitée pour chauffer le produit à l'intérieur de la cuve.



Attention : pendant le fonctionnement du bol et/ou de la chaudière, éteindre la machine à l'aide de l'interrupteur général (LED éteinte).



Attention : vérifier que le niveau d'eau ne descende jamais en dessous du niveau minimum marqué -MIN- ; cela évitera l'arrêt du fonctionnement de la machine.



Attention : ne jamais faire fonctionner la machine sans eau dans la chaudière car cela endommagerait la résistance.

Un capteur de température coupera dans tous les cas l'alimentation de la résistance s'il n'y a pas d'eau dans la chaudière. Pour rétablir le fonctionnement normal de la machine, appuyer sur le bouton-poussoir situé sous la base.



Attention : la machine continuera à être alimentée, même pendant l'arrêt.



Attention : pour un fonctionnement correct de la machine, utiliser uniquement de l'eau déminéralisée dans le réservoir de la chaudière.

6.2 DISTRIBUTION DU PRODUIT



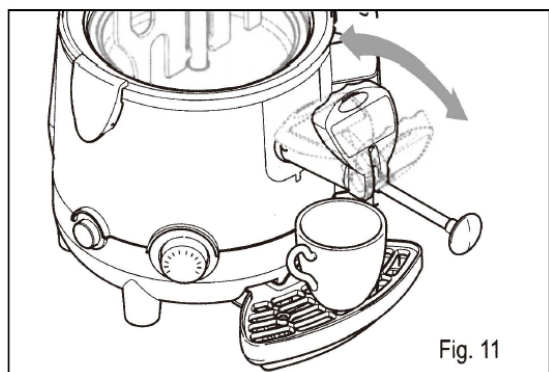
Attention : le produit distribué par la machine a une température très élevée ; risque de brûlure.

Pour distribuer du chocolat chaud, procéder comme suit :

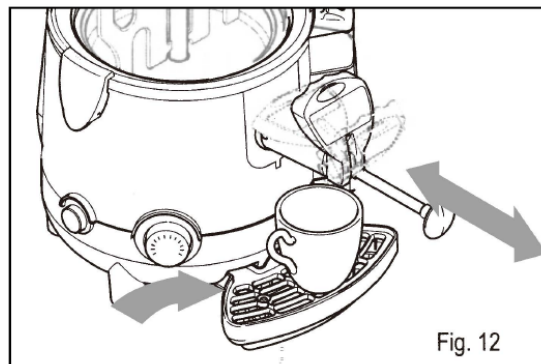


Il est conseillé de maintenir la tige en position de distribution maximale pour favoriser l'écoulement du produit au débit souhaité.

- Placer une tasse sous le robinet ;
- Actionner le levier du robinet (le produit est distribué lorsque le levier est enfoncé ou tiré) jusqu'à ce que la quantité de produit souhaitée ait été versée à l'intérieur de la tasse ;
- Relâcher progressivement le levier du robinet pour qu'il revienne en position d'attente (robinet fermé).



Si le produit est particulièrement épais, il est conseillé de maintenir la tige tirée en position maximale ; l'obstruction éventuelle du conduit de distribution peut être éliminée en faisant glisser la tige d'avant en arrière tout en maintenant la machine, comme indiqué sur la Fig. 12.



Attention : ne jamais toucher le bol ou le couvercle pendant que la machine est en fonctionnement, car ils sont très chauds. Utiliser toujours le bouton pour déplacer le couvercle du bol.

7. NETTOYAGE ET ENTRETIEN



Le nettoyage et l'entretien de la machine doivent être effectués avec l'interrupteur général sur -OFF- et la machine débranchée du réseau électrique.



Attention : à chaque fois que la cuve est remplie de tout type de produit (alimentaire ou désinfectant), s'assurer que la tige de mélange est présente.



Attention : avant d'effectuer toute opération de nettoyage, attendre que la machine ait suffisamment refroidi.



Attention : l'utilisation d'éponges abrasives et/ou métalliques pour nettoyer la machine ou ses composants est totalement interdite ; utiliser uniquement un chiffon humide et/ou une éponge non abrasive pour le nettoyage.



Attention : utiliser uniquement la brosse de nettoyage fournie pour nettoyer le canal de liaison entre le réservoir et le robinet (voir section 7.5, figure 25) ; ne jamais utiliser cette brosse pour nettoyer d'autres parties.



Avant d'effectuer toute opération de nettoyage et d'entretien de la machine, porter les protections individuelles (gants, lunettes, etc.) recommandées par les normes de sécurité en vigueur dans le pays où la machine est utilisée.



Lors des opérations de nettoyage et d'entretien, **suivre les instructions suivantes** :

- Porter des gants de protection anti-accident ;
- Ne pas utiliser de solvants ni de matières inflammables ;
- Ne pas utiliser d'éponges abrasives et/ou métalliques pour nettoyer la machine et ses composants ;
- Veiller à ne pas disperser de liquides dans la zone environnante ;
- Ne pas laver les composants de la machine au lave-vaisselle ;
- Ne pas sécher les parties de la machine dans un four conventionnel et/ou à micro-ondes ;
- Ne pas immerger la machine dans l'eau ;
- Ne pas exposer la machine à des jets d'eau directs ;
- Nettoyer uniquement avec de l'eau tiède et un produit désinfectant à base d'hypochlorite de sodium dilué dans de l'eau pour obtenir une concentration en chlorure actif de 0,02 %.
- Une fois les travaux terminés, s'assurer que tous les capots et protections de protection retirés ou ouverts sont remis en place et correctement fixés.

Le nettoyage et la désinfection sont des opérations qui doivent être effectuées avec le plus grand soin et de manière régulière pour garantir la qualité des boissons distribuées et le respect des normes d'hygiène obligatoires.



Chaque cuve doit être nettoyée et désinfectée pour un changement de produit au moins tous les 2 jours et dans tous les cas dans le respect des normes d'hygiène en vigueur dans le pays de l'utilisateur. Ces opérations doivent être effectuées plus fréquemment si les caractéristiques du produit utilisé l'exigent ; pour plus de détails, contacter le fournisseur du produit.



Les matériaux métalliques, plastiques et caoutchouc utilisés pour la fabrication de ces pièces, associés à leurs formes spécifiques, facilitent le nettoyage mais n'empêchent pas la formation de bactéries et de moisissures en cas de nettoyage insuffisant.

7.1 PROCÉDURE DE NETTOYAGE ET DE DÉSINFECTION

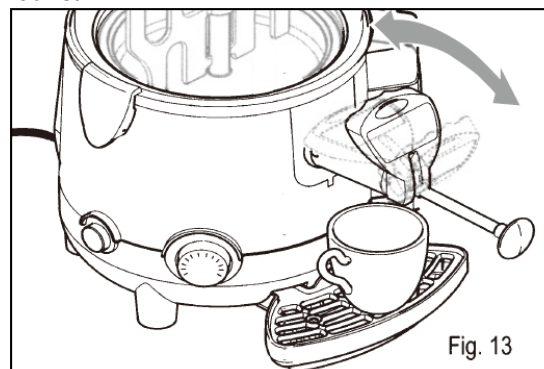
Pour effectuer les opérations de nettoyage et de désinfection, procéder comme indiqué ci-dessous :

- Vider le produit de la cuve (voir paragraphe 7.2)
- Retirer la cuve de la machine (voir paragraphe 7.3)
- Retirer le robinet de la machine (voir paragraphe 7.4)
- Nettoyer la cuve (voir paragraphe 7.5)
- Démontez le robinet précédemment retiré de la machine (voir paragraphe 7.6)
- Laver et désinfecter les composants de la machine (voir paragraphe 7.7)
- Remonter la cuve sur la machine (voir paragraphe 7.8.1)
- Utiliser un chiffon humide et/ou une éponge non abrasive imbibée de produit désinfectant pour nettoyer le raccord du robinet
- Remonter le robinet (voir paragraphe 7.8.2)
- Monter le robinet sur la machine (voir paragraphe 7.8.3)
- Effectuer la procédure de désinfection de l'intérieur de la machine (voir paragraphe 7.9)
- Nettoyer le bac de récupération des gouttes (voir paragraphe 7.10)
- Nettoyer le couvercle du bol à l'aide d'un chiffon humide et/ou d'une éponge non abrasive (voir paragraphe 7.11)
- Vider le réservoir de la chaudière (voir paragraphe 7.12)
- Nettoyer et détartrer le réservoir de la chaudière (voir paragraphe 7.13)

7.2 VIDAGE DU BOL

Avant de nettoyer le bol, il faut d'abord vider le produit qui se trouve à l'intérieur.

Lorsque la machine est allumée, vider tout le produit qui se trouve encore à l'intérieur du bol à l'aide du levier du robinet.



Remplir le bol d'eau et régler le thermostat sur 50°C (122°F). Faire fonctionner l'appareil pendant au moins 15-20 minutes ; augmenter ce temps permettra de libérer les éventuels résidus de produit collés aux parois du bol. Vider tout le contenu du bol à l'aide du levier du robinet.



Attention : le produit distribué par la machine a une température très élevée ; risque de brûlure.



7.3 RETRAIT DU BOL



Attention : avant de retirer le bol, s'assurer que l'interrupteur général est éteint et que la machine est débranchée du réseau électrique et suffisamment refroidie.



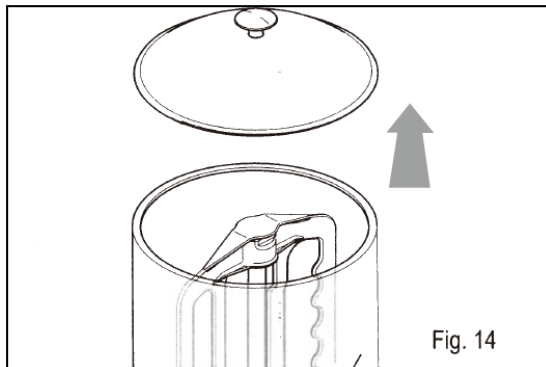
Il est interdit de retirer le bol s'il contient le produit ou tout autre liquide.



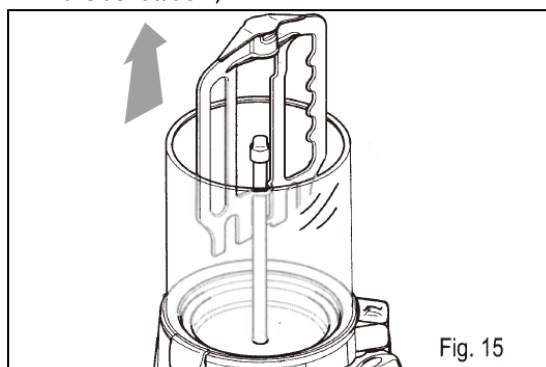
Il est fondamental de démonter le bol et ses composants pour un nettoyage et une désinfection corrects de la machine.

Pour démonter correctement le bol, procéder comme suit :

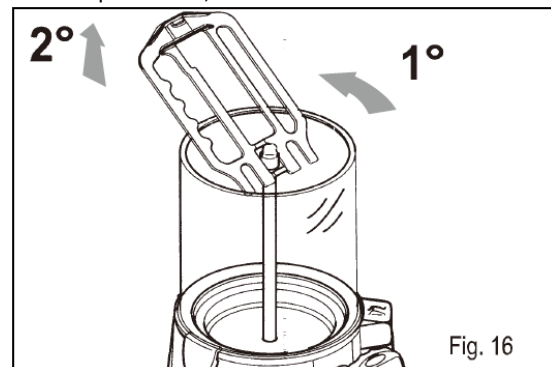
- Retirer le couvercle ;



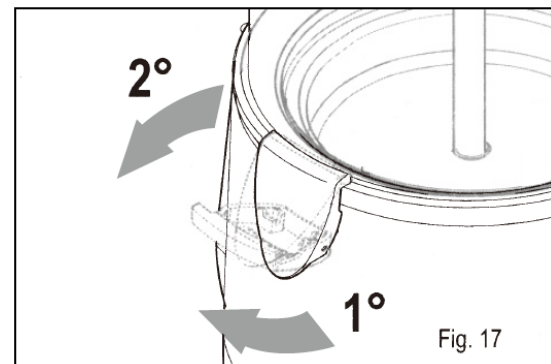
- Faire glisser le mixeur vers le haut pour le retirer, en le maintenant aligné avec la tige centrale jusqu'à ce que la fente inférieure du mixeur soit au niveau de l'axe de rotation ;



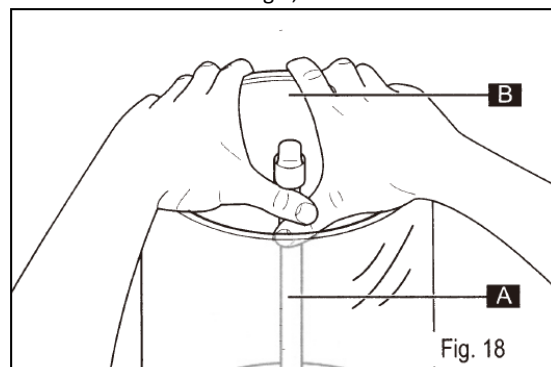
- Incliner le mixeur et le faire glisser vers le haut, comme illustré sur la figure, pour le retirer complètement ;



- Décrocher les poignées d'accrochage du bol, comme illustré sur la figure, pour libérer le bol du corps de la machine ;

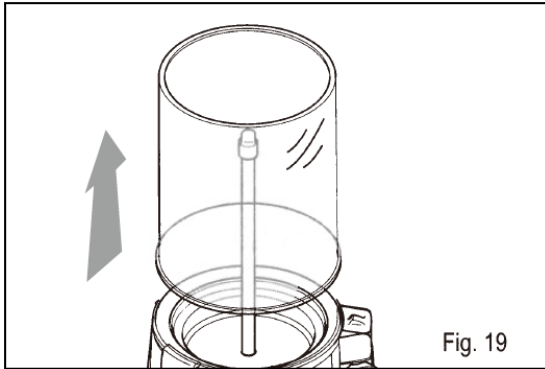


- Libérer le bol du corps de la machine, en utilisant deux doigts pour le dégager de la partie fixe en acier de la vis sans fin du mixeur (A) et les autres pour saisir le bord extérieur du bol (B) : tirer progressivement plus fort sur le bol jusqu'à ce qu'il se détache de son siège ;

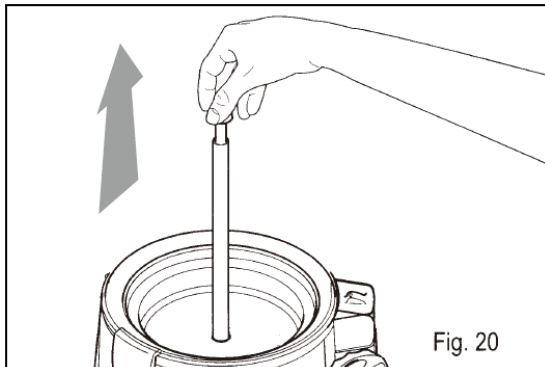




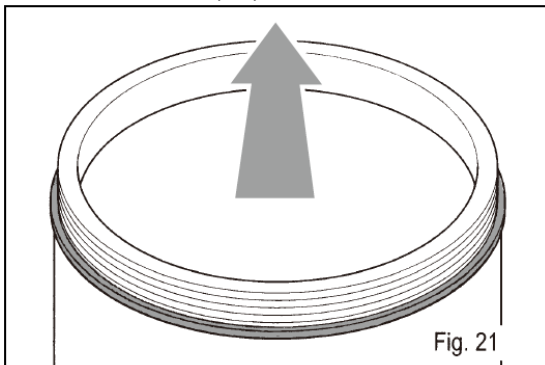
- Faire glisser le bol vers le haut avec les deux mains ;



- Faire glisser la vis de mélange vers le haut avec une main, en prenant soin de la saisir par l'axe de rotation ;



- Placer le bol sur une surface plane et, avec les deux mains, retirer le joint en le faisant glisser vers le haut dans le sens indiqué par la flèche.



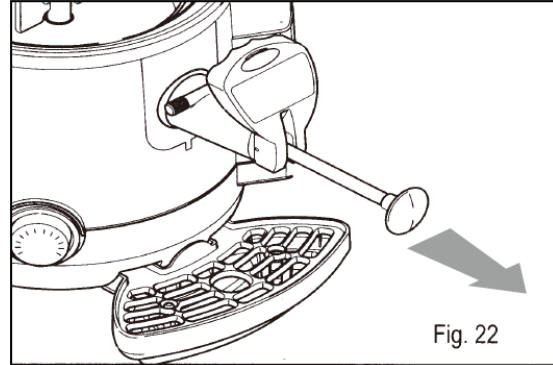
7.4 DÉMONTAGE DU ROBINET



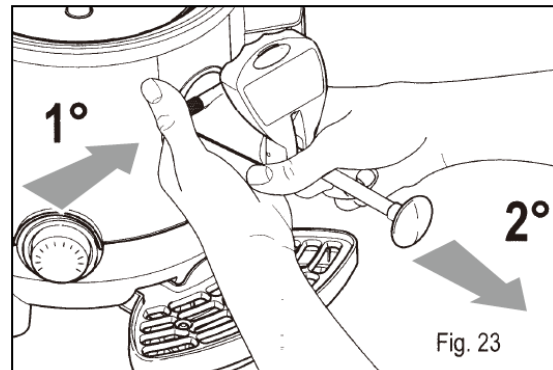
Il est interdit de retirer le robinet si le bol contient du produit ou tout autre liquide.

Pour retirer le robinet, procéder comme suit :

- Déplacer la tige jusqu'à la position de distribution maximale ;



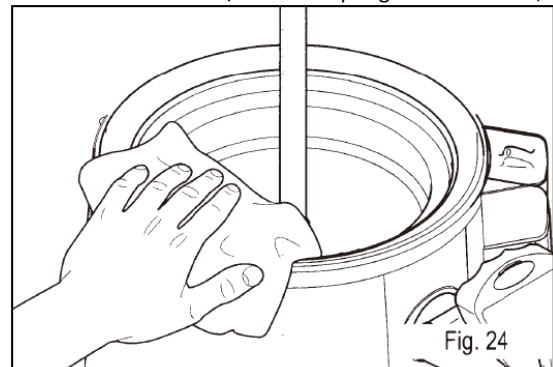
- Appuyer sur le bouton (A) de fixation du robinet à la machine, puis retirer le robinet (B) avec les deux mains, comme illustré sur la figure ;



7.5 NETTOYAGE DU BAC

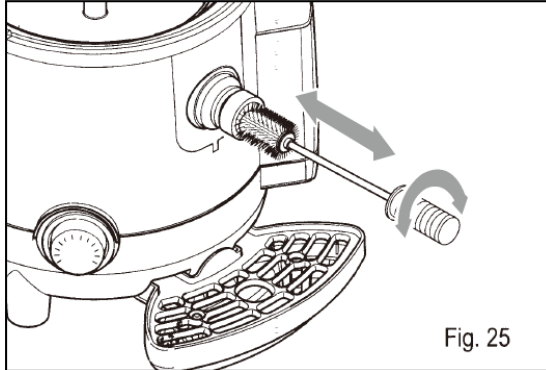
Il est nécessaire de retirer toutes les pièces montées sur le bac.

- Retirer tout produit resté dans le bol, voir paragraphe 7.2 ;
- Retirer le bol de la machine, voir paragraphe 7.3 ;
- Retirer le robinet de la machine, voir paragraphe 7.4 ;
- Nettoyer toute la surface de la cuvette à l'aide d'un chiffon humide et/ou d'une éponge non abrasive ;

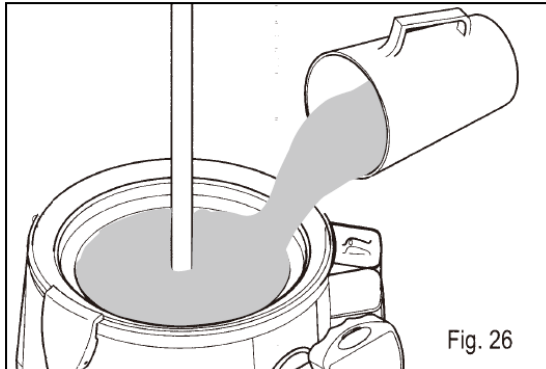




- Nettoyer le canal reliant la cuvette et le robinet à l'aide d'une brosse de nettoyage, comme illustré sur la figure ;



- Remonter le robinet ;
- Verser un peu d'eau à l'intérieur de la cuvette ;

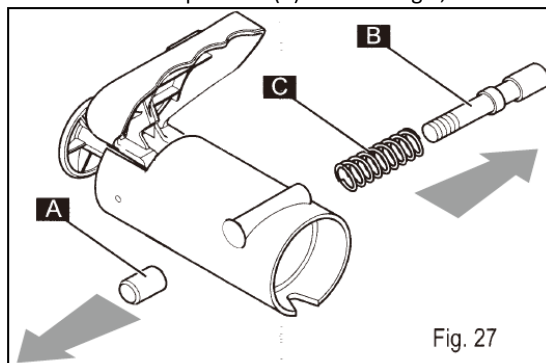


- Utiliser le robinet pour vider toute l'eau de la cuvette afin d'éliminer les éventuels petits résidus de produit présents dans le canal de distribution.

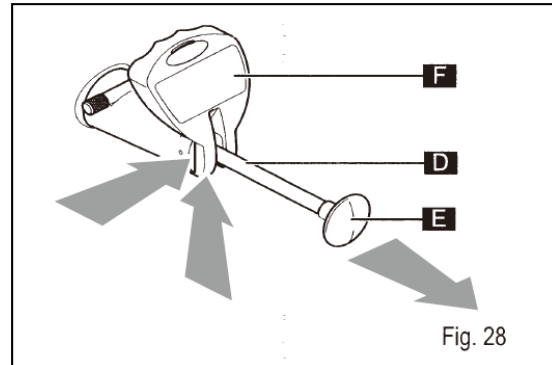
7.6 DÉMONTAGE DU ROBINET

Pour nettoyer plus en profondeur l'intérieur du robinet, démontez-le comme suit :

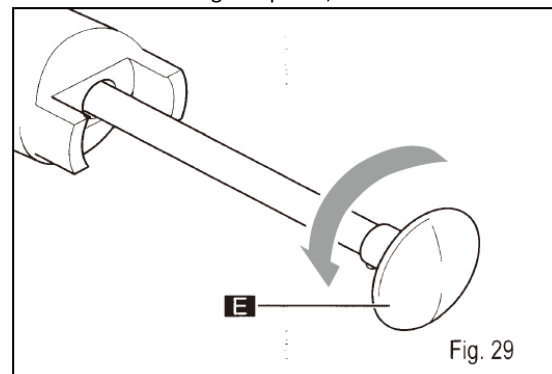
- Retirez le robinet en suivant les étapes indiquées au paragraphe 7.4 ;
- Placez le robinet sur une surface propre et plane, puis desserrez et retirez la vis (A) qui fixe le bouton à la machine, puis faites glisser la goupille (B) et le ressort correspondant (C) hors du siège ;



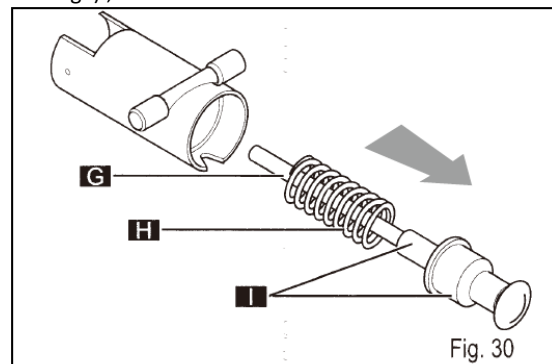
- Retirez complètement la tige (D) du bouton (E), puis poussez le levier (F) vers le haut depuis le bas jusqu'à ce qu'il sorte du guide de la goupille, comme illustré sur la figure ;



- Dévissez le bouton (E) en le tournant dans le sens inverse des aiguilles d'une montre tout en maintenant la tige en place ;

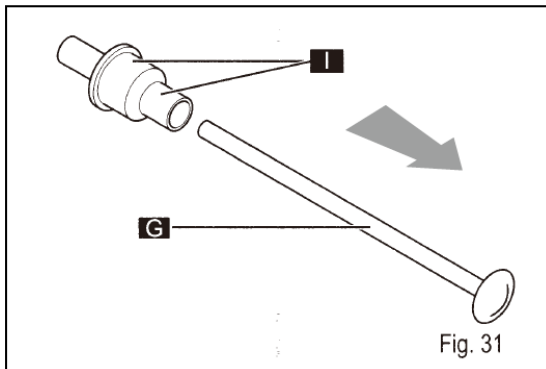


- Retirez la tige (G) et le ressort (H) du corps du robinet (l'ensemble goupille/joint (I) glissera avec la tige) ;

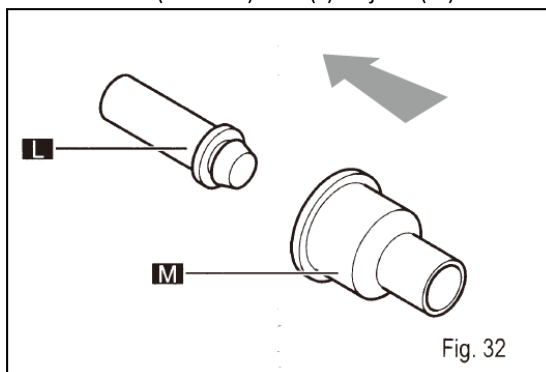




- Détacher la tige (G) de l'ensemble axe/joint (I) ;



- Démonter (en tirant) l'axe (L) du joint (M).



7.7 LAVAGE ET DÉSINFECTION DES COMPOSANTS

Tous les composants précédemment démontés (robinet, mélangeur, vis sans fin de mélange, joint et cuve) doivent être soigneusement lavés et désinfectés.

Pour effectuer correctement cette procédure, procédez comme suit :

- Remplissez un récipient de détergent et d'eau chaude à une température de 50-60 °C (122-140 °F) ;
- Lavez les composants démontés avec la solution détergente ;
- Rincez à l'eau chaude ;
- Nettoyez uniquement avec de l'eau tiède et un produit désinfectant à base d'hypochlorite de sodium dilué dans de l'eau pour obtenir une concentration en chlorure actif de 0,02 % ;
- Plongez les composants démontés dans la solution désinfectante ;
- Laissez les composants à l'intérieur du récipient de solution désinfectante pendant environ 30 minutes ;
- Rincez à l'eau claire ;
- Nettoyez le couvercle de la cuve (voir paragraphe 7.11) ;
- Placez les composants sur une surface propre et séchez-les.

7.8 MONTAGE DES COMPOSANTS LAVÉS

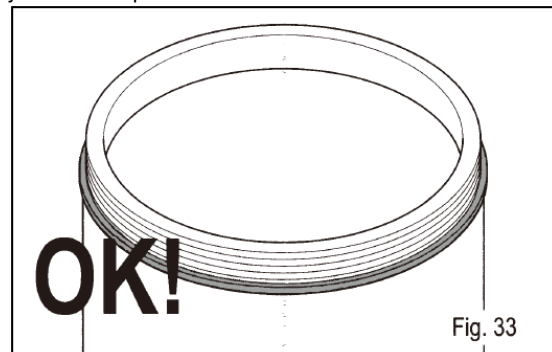
Tous les composants lavés et désinfectés doivent être réassemblés avec soin, puis remontés sur la machine en suivant les étapes correspondantes.

7.8.1 MONTAGE DU BOL

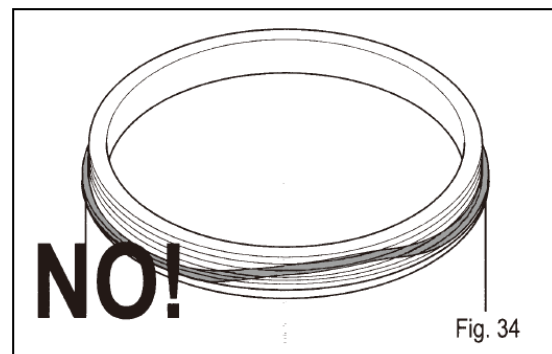
Attention : s'assurer que le joint est correctement monté ; un joint mal monté provoquera une fuite du produit ; risque de brûlure !

Avant de monter le bol dans la machine, vérifier que le joint est correctement monté.

La Fig. 33 montre un joint correctement monté ; ici le joint adhère parfaitement au bord du bol.

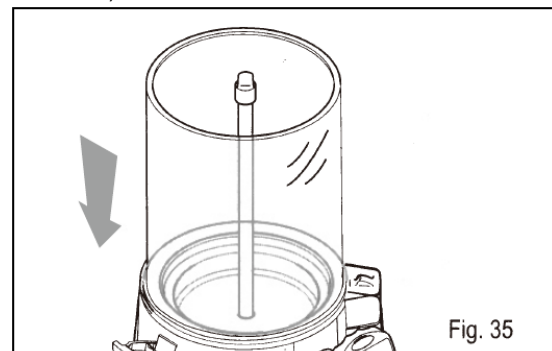


La Fig. 34 montre un joint qui n'est pas correctement monté ; ici le joint n'adhère PAS parfaitement au bord du bol.



Modèles 5 litres et 10 litres :

- Remettre le bol en place en poussant fermement vers le bas, après avoir humidifié le joint avec de l'eau ;



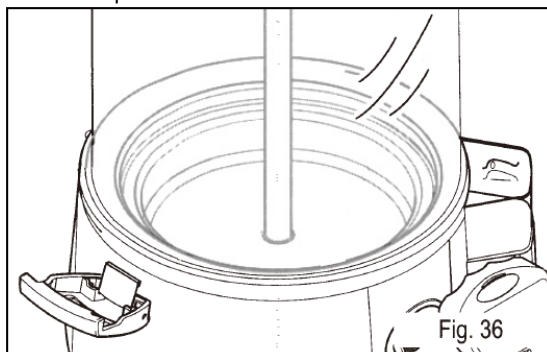


DO NE PAS UTILISER DE GRAISSE OU DE VASELINE.

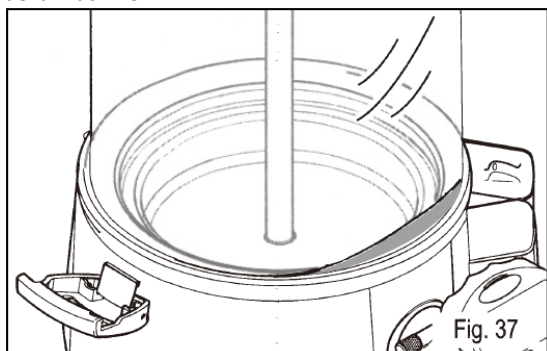


Attention : s'assurer que le bol est correctement fixé à la machine ; un bol mal fixé provoquerait une fuite du produit ; risque de brûlure !

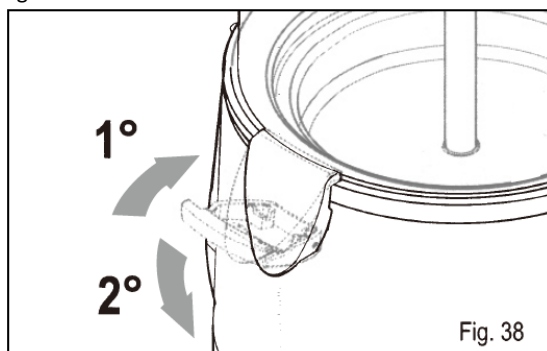
La Fig. 36 montre un bol correctement assemblé ; ici le bol adhère parfaitement au bord de la machine.



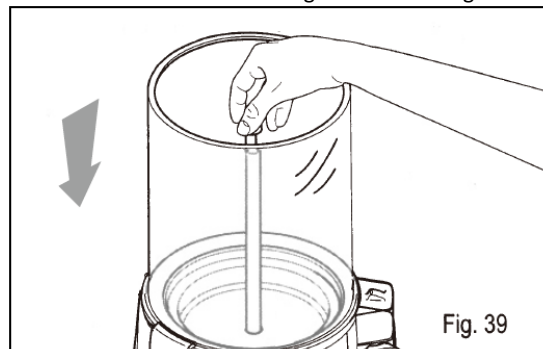
La Fig. 37 montre un bol qui n'est pas correctement assemblé ; ici le bol n'adhère PAS parfaitement au bord de la machine.



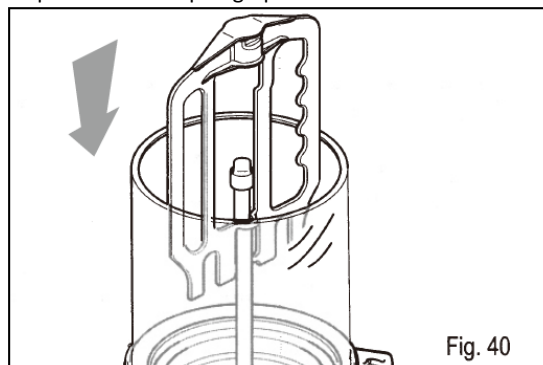
Fixer le bol au corps de la machine à l'aide des poignées d'accrochage prévues à cet effet, comme illustré sur la figure.



Insérer la vis sans fin du mélangeur dans son logement.



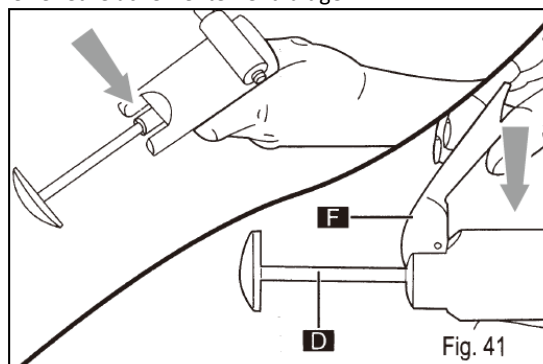
Insérer le mélangeur dans son logement en suivant les étapes décrites au paragraphe 7.3 dans l'ordre inverse.



7.8.2 MONTAGE DU ROBINET

Pour remonter le robinet, effectuez dans le sens inverse toutes les étapes de démontage illustrées précédemment (Fig. 32 à Fig. 27).

Pour monter le levier (F), poussez la tige (D) de l'intérieur jusqu'à ce que les guides dépassent ; insérez ensuite le levier et relâchez lentement la tige.

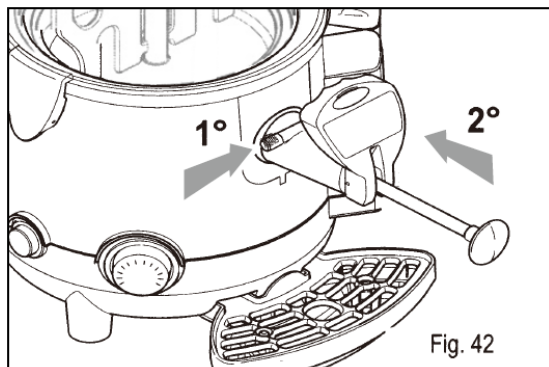




7.8.3 MONTAGE DU ROBINET

Pour remonter correctement le robinet, procédez comme suit :

- Maintenez le bouton enfoncé en vous assurant que la tige est complètement extraite ;
- Introduisez le robinet dans le siège prévu à cet effet et poussez jusqu'à ce que le bouton-poussoir revienne à sa position initiale.



7.9 DÉSINFECTATION INTERNE

Attention ! Le thermostat doit être réglé sur -OFF-.

Procédez comme suit :

- Préparez la solution désinfectante (voir paragraphe 7.7) ;
- Remplissez la cuve avec la solution désinfectante ;
- Laissez agir la solution pendant environ 30 minutes ;
- Videz la solution désinfectante de la cuve ;
- Rincez ensuite soigneusement la cuve et les surfaces intérieures pour éliminer tous les résidus de solution désinfectante.

7.10 NETTOYAGE DU BAC RÉCUPÉRATION

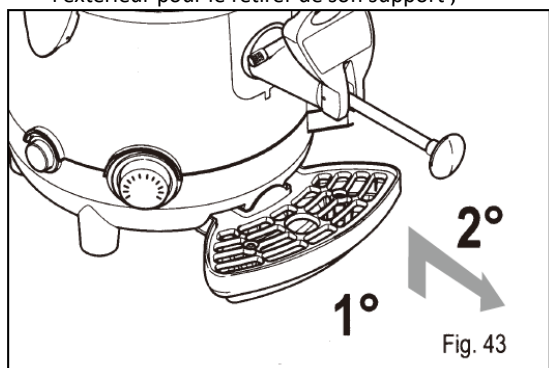


Le bac de récupération doit être vidé et nettoyé quotidiennement.



Remarque : le bac doit être vidé et nettoyé chaque fois que le flotteur rouge fixé sur la grille monte ; cela permet d'éviter toute fuite de liquide.

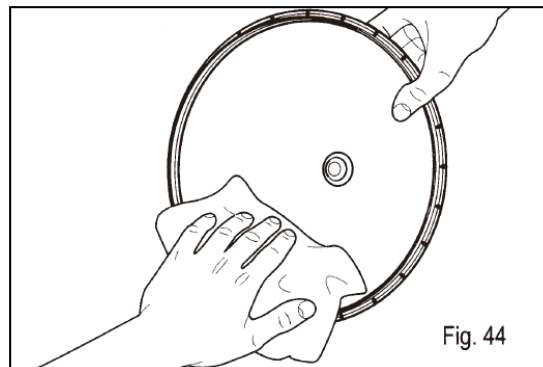
- Soulevez le bac avec la grille et tirez-le vers l'extérieur pour le retirer de son support ;



- Lavez le bac et la grille séparément à l'eau tiède ;
- Séchez tous les composants ;
- Repositionnez la grille sur le dessus du bac ;
- Remettez le bac en place et appuyez pour le fixer à la machine.

7.11 NETTOYAGE DU COUVERCLE DU BOL

- Retirer le couvercle du bol de la machine ;
- Nettoyer la surface à l'aide d'un chiffon humide et/ou d'une éponge non-abrasive imbibée de produit désinfectant ;
- Rincer abondamment à l'eau claire.



7.12 VIDANGE DE LA CHAUDIÈRE



Attention : pendant la vidange de la chaudière, la machine doit être débranchée.



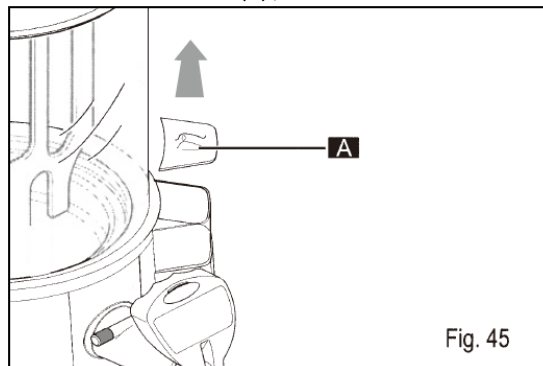
Attention : la chaudière ne peut être vidée que lorsque la cuve est vide et que la machine a suffisamment refroidi.



Il est strictement interdit d'utiliser l'eau du réservoir de la chaudière à des fins alimentaires.

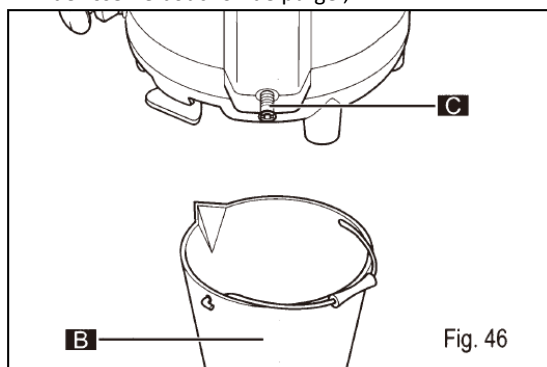
Pour vider la chaudière, procéder comme suit :

- Débrancher la machine ;
- Retirer le bac collecteur, comme décrit au paragraphe 7.8 correspondant ;
- Retirer le bouchon (A) ;

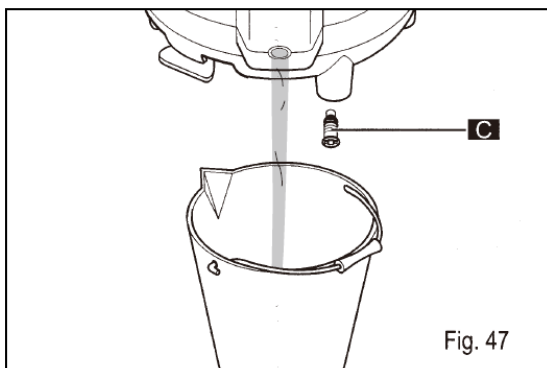




- Placer la machine sur une surface plane et avec le plateau indicateur du niveau d'eau du réservoir de la chaudière tourné vers le bord extérieur du plan d'appui ;
- Placer un récipient (B) d'une capacité supérieure à 3 litres sous le bouchon de purge (C) ;
- Utiliser une pièce de monnaie ou une clé Allen pour dévisser le bouchon de purge ;



- Retirer le bouchon (C) d'un mouvement ferme et attendre que toute l'eau soit évacuée du réservoir de la chaudière.



7.13 NETTOYAGE ET DÉTARTRAGE DU RÉSERVOIR DE LA CHAUDIÈRE



Le réservoir de la chaudière doit être détartré régulièrement ; cette opération est recommandée au moins une fois tous les 3 mois.

- Suivre les étapes de vidange du réservoir de la chaudière, voir paragraphe 7.11 ;
- Insérer et fixer le bouchon de purge du réservoir de la chaudière ;
- Insérer dans le réservoir de l'eau plus un détartrant pour machines à café (suivre les instructions figurant sur l'emballage du détartrant) ;
- Laisser agir la solution pendant le temps indiqué dans les instructions de la solution elle-même ;
- Vider la solution de l'intérieur du réservoir de la chaudière, voir paragraphe 7.11 ;
- Rincer le réservoir avec beaucoup d'eau, en le remplissant et en le vidant, voir paragraphes 6.1 et 7.11.

7.14 REMISE A ZERO DU CAPTEUR DE TEMPERATURE



La remise à zéro du capteur de température ne peut être effectuée que par un technicien spécialisé, qui devra organiser toutes les séquences opérationnelles et utiliser les équipements adéquats pour opérer dans le strict respect des lois en vigueur à ce sujet.



Attention : après l'intervention du capteur de température pour arrêter la machine, il est indispensable de vidanger le produit éventuellement contenu à l'intérieur de la cuve et de nettoyer tous les composants avant de rétablir les fonctions de la machine.

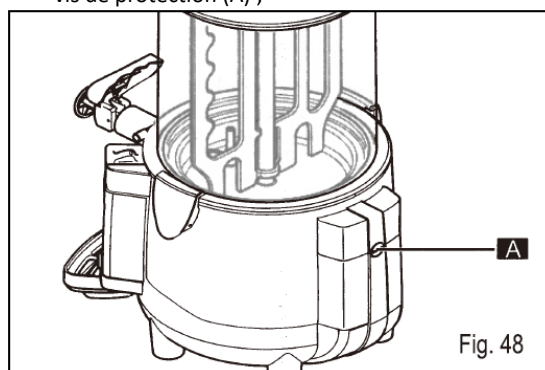


Attention : avant de remettre à zéro le capteur de température, éteindre la machine à l'aide de l'interrupteur prévu à cet effet et la débrancher du réseau électrique, puis attendre que la machine refroidisse.

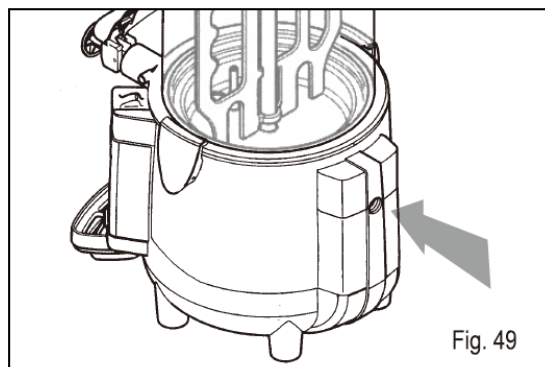


Il est strictement interdit à l'opérateur de remettre à zéro le capteur de température du niveau minimum d'eau du réservoir de la chaudière.

- Utiliser un outil approprié pour dévisser et retirer la vis de protection (A) ;



- Utiliser un outil approprié pour appuyer sur le bouton situé à l'intérieur afin de rétablir le fonctionnement normal de la machine.





7.15 ENTRETIEN PÉRIODIQUE



La machine doit être contrôlée périodiquement (au moins une fois par an) par un technicien spécialisé. Ce contrôle périodique permet de garantir que tous les composants installés et la machine elle-même sont maintenus à un niveau de sécurité élevé.



Les composants éventuellement usés doivent être remplacés par une pièce de rechange d'origine.



Il est interdit d'utiliser la machine si un seul de ses composants est défectueux ou usé. Il est interdit aux utilisateurs d'effectuer l'entretien périodique.

8. MISE AU REBUT



Les équipements électriques et électroniques doivent être éliminés conformément à la Directive européenne 2002/96/CE et dans le respect des normes et réglementations en vigueur dans le pays où la machine est utilisée.



Ces équipements ne peuvent pas être éliminés comme les déchets solides municipaux normaux mais doivent être collectés séparément afin d'optimiser la récupération et le recyclage des matériaux utilisés pour leur fabrication.



Tous les produits sont marqués du symbole de la poubelle barrée qui rappelle les obligations de collecte séparée. Le respect correct de toutes les dispositions relatives à l'élimination des produits en fin de vie contribuera à la sauvegarde de l'environnement.



9. DÉPANNAGE

PROBLÈME	CAUSE	REMÈDE
Ne chauffe pas	Pas de courant	Vérifier que la machine est correctement branchée.
	Interrupteur sur -OFF-	Placer l'interrupteur sur -ON-
	Intervention sonde thermique	Réarmer le protecteur thermique comme indiqué au paragraphe 7.14
	Thermostat sur "O"	Régler le thermostat
	Le niveau d'eau dans la cuve de la chaudière est descendu en dessous du niveau minimum, ce qui a provoqué l'activation du système d'alarme	Remplir la cuve de la chaudière
Le voyant d'alarme est allumé avec des bourdonnements	Le niveau d'eau dans le réservoir de la chaudière est descendu en dessous du niveau minimum	Remplir le réservoir de la chaudière
La pale de mélange ne tourne pas	Pas de courant	Vérifier que la machine est correctement branchée.
	L'arbre d'entraînement n'est pas correctement en place	Retirer l'arbre puis l'insérer correctement comme indiqué dans la section 7.8.1
	Intervention sonde thermique	Réarmer le protecteur thermique comme indiqué au paragraphe 7.14
	Panne du moteur	Contacteur le personnel de service
	Interrupteur marche/arrêt sur (0)	Appuyer sur l'interrupteur sur
Fuite du robinet	Il n'a pas été correctement installé	Videz la machine et installez le robinet comme indiqué au paragraphe 7.8.3
	La sortie et le caoutchouc sont sales	Empty the machine and clean the entire tap thoroughly; fit it back on the machine as directed in section 7.8.3
	Le joint d'étanchéité du tube de niveau doit être remplacé	Contacteur le personnel de service
Fuite de produits par le fond du bol	Le bol n'a pas été correctement installé	Videz la machine, retirez le bol et installez-le selon les instructions fournies au paragraphe 7.8.1
	Le joint doit être remplacé	Contacteur le personnel de service
Arrêt de la machine	Pas d'eau dans le réservoir de la chaudière	Remplir le réservoir de la chaudière

Si la machine présente un dysfonctionnement dû à des causes autres que celles indiquées dans ce tableau ou si les solutions proposées ne résolvent pas le problème, contacter un technicien spécialisé

10. SCHÉMA ÉLECTRIQUE

