



Backbar Coolers

User Manual



Models:

7527 Series

CONTENT



.....	3
1. IMPORTANT SAFETY INSTRUCTIONS.....	3
2. INTENDED USE.....	4
3. PARTS.....	5
4. BEFORE FIRST USE.....	10
5. OPERATION.....	10
6. CLEANING.....	11
7. DISPOSAL INSTRUCTIONS.....	11
8. TECHNICAL DATA.....	12
9. WARRANTY.....	13



.....	14
1. BELANGRIJKE VEILIGHEIDSIINSTRUCTIES.....	14
2. BEOOGD GEBRUIK.....	15
3. PARTS.....	16
4. VOOR HET EERSTE GEBRUIK.....	21
5. BEDIENING.....	21
6. REINIGING.....	22
7. INSTRUCTIES VOOR HET WEGGOOIEN.....	23
8. TECHNISCHE GEGEVENS.....	23
9. GARANTIE.....	24



.....	25
1. WICHTIGE SICHERHEITSANWEISUNGEN.....	25
2. BESTIMMUNGSGEMASSER GEBRAUCH.....	26
3. BEDIENELEMENTE.....	27
4. VOR ERSTER INBETRIEBNAHME.....	32
5. BEDIENUNG.....	32
6. REINIGUNG.....	33
7. WICHTIGE HINWEIS ZUR ENTSORGUNG.....	33
8. TECHNISCHE DATEN.....	34
9. GEWÄHRLEISTUNG.....	35



.....	36
1. INSTRUCTIONS DE SECURITE IMPORTANTES.....	36
2. UTILISATION PREVUE.....	37
3. PARTS.....	38
4. AVANT LA PREMIÈRE UTILISATION.....	43
5. FONCTIONNEMENT.....	43
6. NETTOYAGE.....	44
7. INSTRUCTIONS DE MISE AU REBUT.....	45
8. DONNÉES TECHNIQUES.....	45
9. GARANTIE.....	46




1. IMPORTANT SAFETY INSTRUCTIONS

Read these instructions for use carefully before using the device. Observe all safety instructions, so as to avoid damage through improper use.

1. Keep this instruction manual for future use. Should this appliance be passed on to a third party, this instruction manual must be handed over.
2. This appliance is heavy. To prevent injury or damage to it, unpack and set up by two people.
3. Never use a damaged appliance! Disconnect the appliance from the mains outlet and contact your supplier, if it is damaged.
4. Connect and install this appliance in strict compliance with the relevant instructions in this manual.
5. Only use the appliance for its intended use. The appliance is intended for commercial use.
6. No responsibility is accepted for damage resulting from improper use or non-compliance with the instructions.
7. Only use the appliance indoors.
8. **Danger of electric shock!** Never try to repair the appliance yourself. Refer to qualified customer service outlet for maintenance and repairs.
9. Regularly check the power plug and power cord for damage. A damaged power cord has to be replaced by the manufacturer, his customer service or a similar qualified person in order to avoid danger of injury.
10. Before inserting the power plug into the mains outlet, check that the power supply voltage and current rating corresponds with the power supply details shown on the appliance rating label.
11. Avoid damage to the power cord. Do not squeeze, bend or scour on sharp edges. Keep away from hot surfaces and naked flames.
12. Please connect the earthing wire to the terminal of equipotentiality by qualified technician.
13. For your safety, only connect the appliance with a properly earthed mains outlet. Unplug the appliance immediately if you get an electric shock when touching the appliance.
14. Do not pull on the power cord. Only pull on the plug. Do not wrap the power cord around the appliance.
15. This appliance must be earthed!
16. Securely route the power cord so that no unintentional pulling or tripping over it is possible.
17. Connect the power plug with an easy reachable mains outlet so that in case of an emergency the appliance can be unplugged immediately.
18. Never use accessories, which are not recommended by the manufacturer. They could pose a danger to the user and might damage the appliance. Only use original accessories.
19. The appliance is powered when connected to the power supply.
20. **Warning!** Do not insert any objects into the casing of the appliance.
21. Do not open the casing.
22. Do not obstruct or cover the ventilation openings. Keep the appliance well ventilated at all times.
23. Should the cover of the light or ventilator grill fall off or break, unplug the appliance immediately and contact qualified personnel for repairs.
24. This appliance is not intended for use by persons (including children) with reduced physical, sensory or mental capabilities, or lack of experience and knowledge, unless they have been given supervision or instruction concerning use of the appliance by a person responsible for their safety.
25. Children should be supervised to ensure that they do not play with the appliance.
26. Do not keep the key of the appliance lock near or within reach of children.
27. Do not touch the appliance with wet or damp hands. Do not operate the appliance with wet hands or standing on a wet floor.
28. **Warning!** During cleaning or operation do not immerse the appliance in water or other liquids. Do not clean the appliance with a garden hose.
29. Should water flow into the appliance, immediately unplug the appliance and let it be inspected by qualified personnel before using again.
30. Unplug from the mains outlet when not in use and before cleaning.



31. Do not place combustible, explosive or volatile articles, corrosive acids or alkali in the appliance. Store high-proof spirits only in upright position and close them properly. Containers with flammable gases and liquids can leak at low temperatures and catch fire from electrical appliances' sparking. Danger of explosion!
32. Make sure that no chemical substances get into the interior of the appliance.
33. **Warning!** This product is for food storage within containers. Do not place food inside without it being in a container.
34. Leaking oil can damage the rubber gaskets of the appliance. Make sure that products with oil are wrapped properly and cannot leak.
35. Keep the appliance away from any hot surfaces and naked flames.
36. Always operate the appliance on a level, stable, clean, heat resistant and dry surface.
37. Do not use the appliance in the proximity of explosive and inflammable vapours.
38. The minimal distance specification to the surrounding roadblock is 1 meter.
39. Do not damage any parts of the appliance which carry refrigerant by piercing, perforating, crushing, twisting or scraping.
40. Danger of fire! In event of refrigerant leakage, unplug the appliance, remove any ignition sources nearby, ventilate the room and contact your supplier. Avoid contact with the eyes as the refrigerant may cause serious eye injury. You can find details on the refrigerant on the rating label.
41. In case of fire unplug from the mains outlet or disconnect from the power supply.
42. **Warning!** Do not spill water on the appliance when connected to the power supply. Risk of electric shock!
43. Do not accelerate the defrosting process by using mechanical devices, heating sources (candles or heaters) or other means. The emerging steam can cause short circuit and too high temperatures can damage the synthetic covering of the appliance.
44. Do not use electrical appliances in the inner compartment.
45. Take protective measures to prevent prolonged skin contact with cold surfaces of inner compartment or with chilled products, e.g. wear gloves.
46. Never put warm or hot foods directly into the appliance.
47. Cover food to prevent smell and to keep fresh. Do not consume products which have been stored for too long to avoid food poisoning.
48. Caution: Fire hazard 
49. Warning - keep clear obstruction all ventilation openings in the appliance enclosure or in the structure for built-in.
50. Warning - do not use mechanical devices or other means to accelerate the defrosting process, other than those recommended by the manufacturer.
51. Warning - do not damage the refrigerant circuit.
52. Warning - do not use electrical appliance inside the food storage compartments of the appliance, unless they are of the type recommended by the manufacture.

2. INTENDED USE

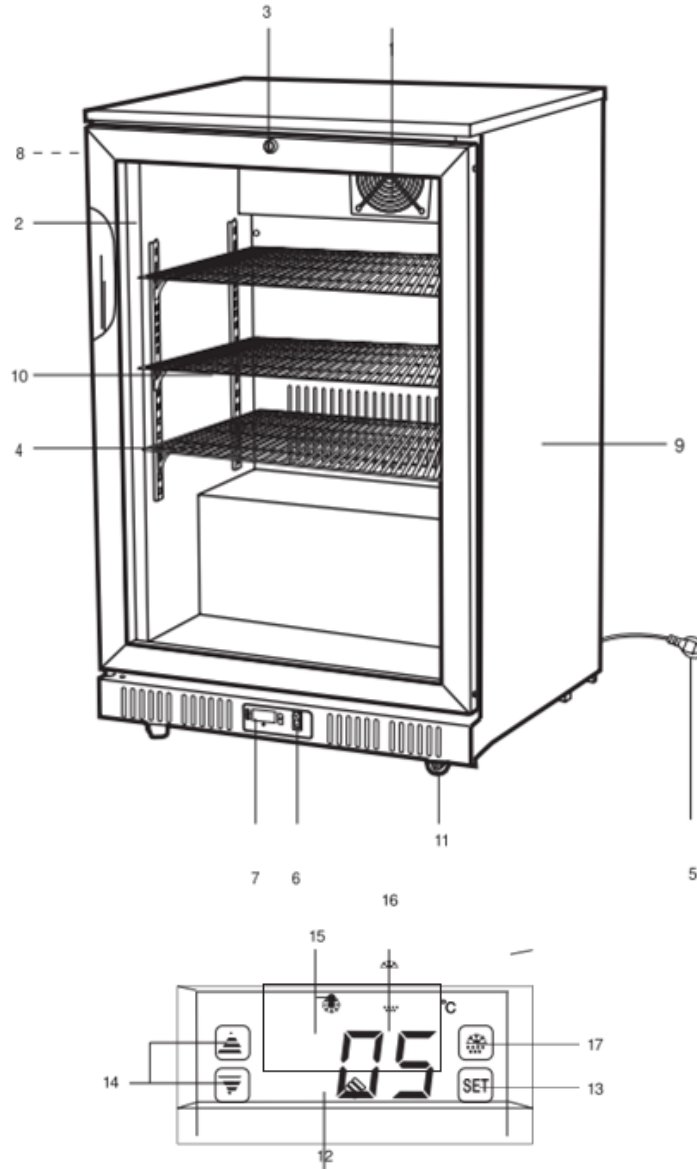
Only use this appliance for cooling and storage of food and beverage for commercial purposes.





3. PARTS

7527.0005

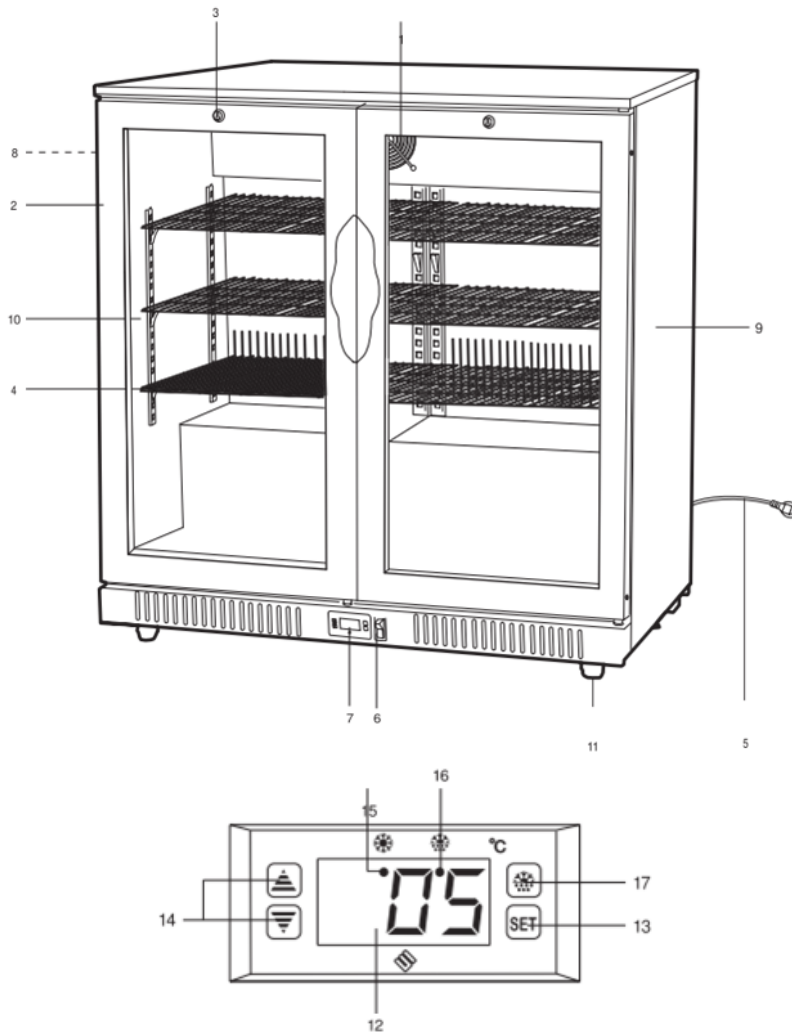
7527.0030





- 1. Ventilation opening with grill
- 2. Door
- 3. Lock
- 4. Shelves
- 5. Power cord with power plug
- 6. ON/OFF switch I/O
- 7. Control panel with cover
- 8. Lamp (LED)
- 9. Casing
- 10. Inner compartment
- 11. Castors
- 12. LED display
- 13. SET button
- 14.  buttons
- 15. Cooling indicator
- 16. Defrosting indicator
- 17.  button (Note: The appliance is provided with an automatic defrost function. No need to set manually.)



7527.0010
7527.0035

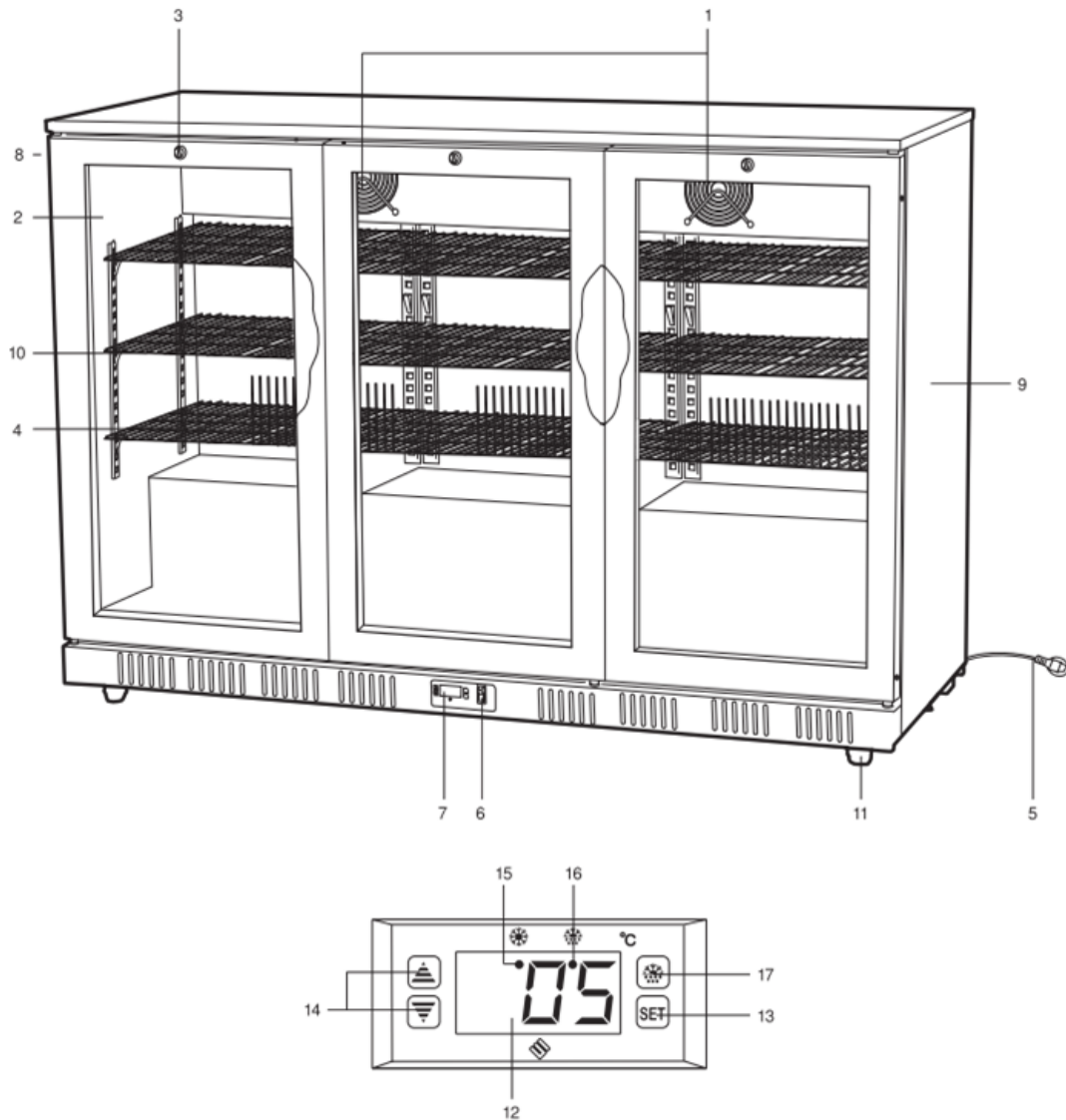


- 1. Ventilation opening with grill
- 2. Door
- 3. Lock
- 4. Shelves
- 5. Power cord with power plug
- 6. ON/OFF switch I/O
- 7. Control panel with cover
- 8. Lamp (LED)
- 9. Casing
- 10. Inner compartment
- 11. Castors



- 12. LED display
- 13. SET button
- 14.  buttons
- 15. Cooling indicator
- 16. Defrosting indicator
- 17.  button (Note: The appliance is provided with an automatic defrost function. No need to set manually.)



7527.0015
7527.0040

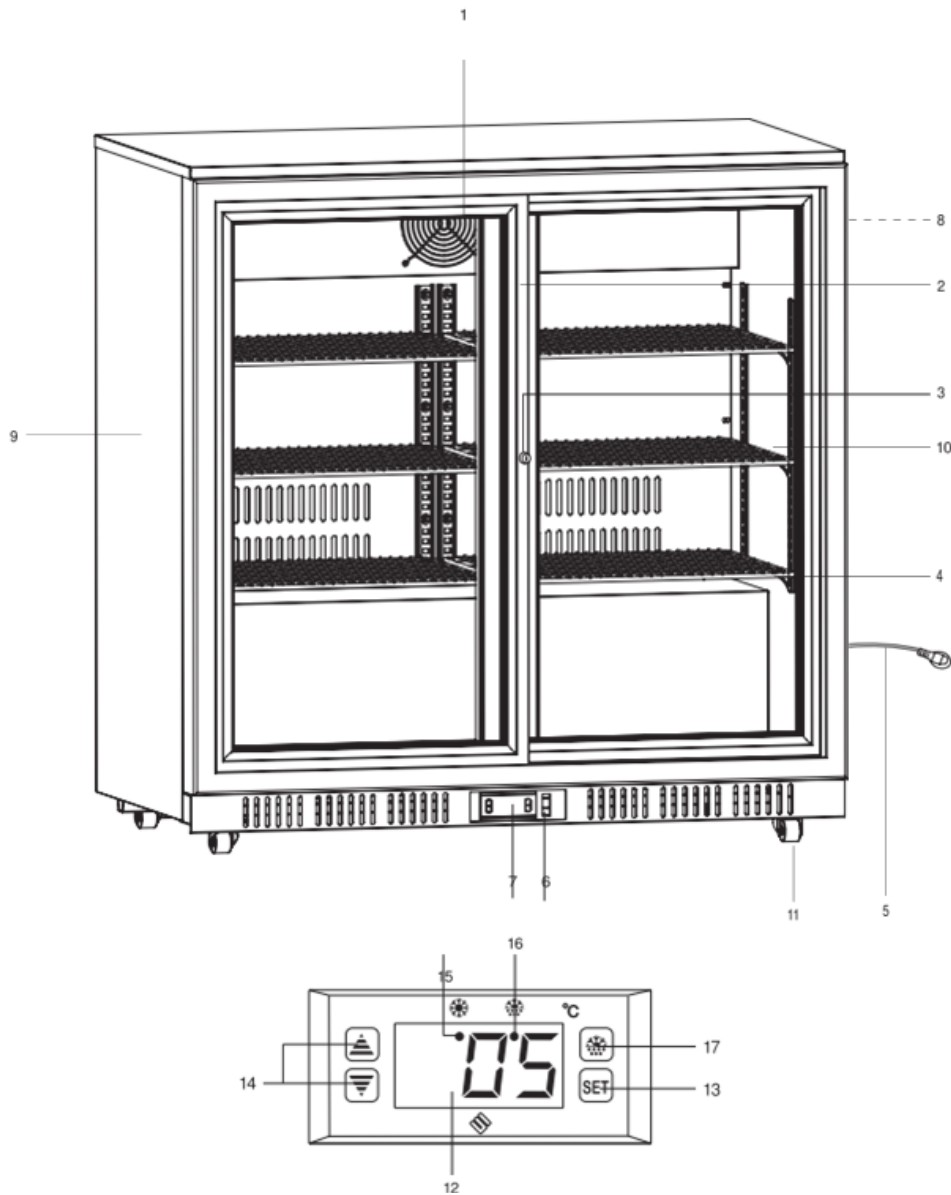




- 1. Ventilation opening with grill
- 2. Door
- 3. Lock
- 4. Shelves
- 5. Power cord with power plug
- 6. ON/OFF switch I/O
- 7. Control panel with cover
- 8. Lamp (LED)
- 9. Casing
- 10. Inner compartment
- 11. Castors

- 12. LED display
- 13. SET button
- 14.  buttons
- 15. Cooling indicator
- 16. Defrosting indicator
- 17.  button (Note: The appliance is provided with an automatic defrost function. No need to set manually.)



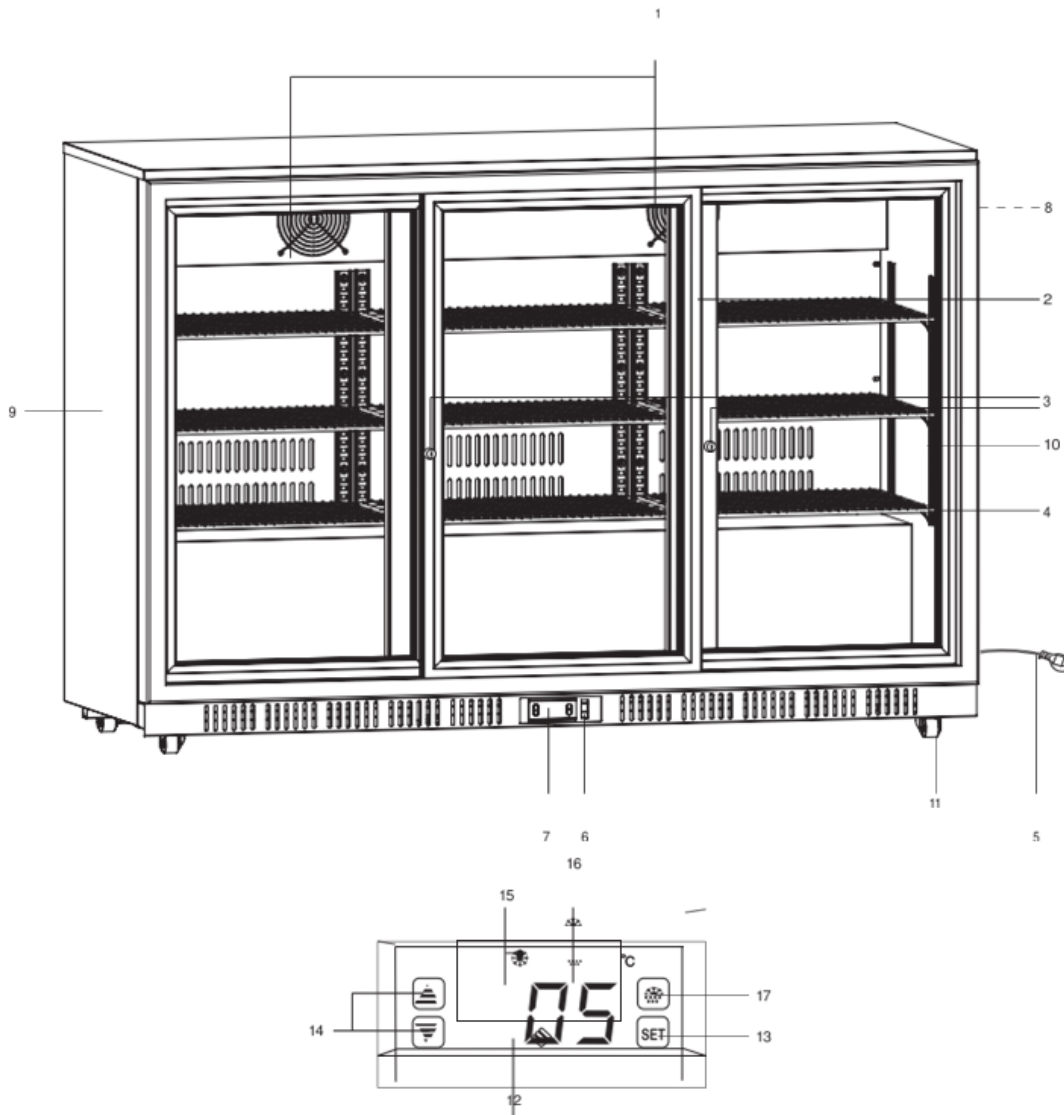
7527.0020
7527.0045





- 1. Ventilation opening with grill
- 2. Door
- 3. Lock
- 4. Shelves
- 5. Power cord with power plug
- 6. ON/OFF switch I/O
- 7. Control panel with cover
- 8. Lamp (LED)
- 9. Casing
- 10. Inner compartment
- 11. Castors
- 12. LED display
- 13. SET button
- 14.  buttons
- 15. Cooling indicator
- 16. Defrosting indicator
- 17.  button (Note: The appliance is provided with an automatic defrost function. No need to set manually.)



7527.0025
7527.0050



- 1. Ventilation opening with grill
- 2. Door
- 3. Lock
- 4. Shelves
- 5. Power cord with power plug
- 6. ON/OFF switch I/O
- 7. Control panel with cover
- 8. Lamp (LED)
- 9. Casing
- 10. Inner compartment
- 11. Castors
- 12. LED display
- 13. SET button
- 14.  buttons
- 15. Cooling indicator
- 16. Defrosting indicator
- 17.  button (Note: The appliance is provided with an automatic defrost function. No need to set manually.)



4. BEFORE FIRST USE

- Remove all packaging (→ Disposal of packaging).
- Check for completeness and transport damage. In case of damages or incomplete delivery please contact your dealer. (→ Guarantee).
- Clean the appliance (→ Cleaning).
- Place the appliance on a horizontal and stable surface with a maximum incline of 5%.
- Do not expose parts which heat up. Try to position the appliance close to a wall, but leave enough space for ventilation to ensure good circulation and efficiency of the appliance.
- Keep the appliance away from any substance, which can cause ignition.
- Do not position the appliance in direct sunlight or near any heat sources.
- Protect the appliance from moisture, extreme heat or cold.
- Climate class of the appliance: 4. Please see the climate class and matched temperature range for reference.



Test room climate class	Dry bulb temperature	Relative humidity
	°C	%
1	16	80
2	22	65
3	25	60
4	30	55
5	40	40

- **Never use an extension cord – risk of overheating!** If the power cord (5) does not reach the nearest mains outlet, either rearrange your store layout or ask qualified personnel to fit a new outlet.
- The appliance is fitted with castors (11), so that you can easily move it from one place to another. Two of four castors have brakes. **Warning!** Do not move the appliance across uneven floors or steps.
- If the power is cut off, wait for at least 5 minutes before plugging the appliance in again to avoid damaging the compressor.
- **Important!** Allow the appliance to stand upright for 8 hours before connecting to a mains outlet for the first time, in order to allow the refrigerant to settle.
- The maximum load for a shelf (4) is 30kg.

5. OPERATION

- Connect the power plug (5) with the mains outlet.
- The showcase starts to work.
- The thermostat (digital temperature controller) is located at bottom of the appliance.
- After a few seconds the LED display (12) shows the actual inner compartment (10) temperature. The cooling indicator (15) lights up. The showcase automatically begins to cool down to the preset temperature.
- After the inner compartment temperature reaches the preset value, the cooling indicator (15) turns off as long as the inner compartment temperature is constant.
- The factory pre-set temperature is between 2-8°C. **Do not adjust this within the first 24 hours!** After 24 hours adjust the temperature in gradual stages, if necessary.

Temperature adjustment

- Press SET (13), the LED display (12) flashes. Select the desired temperature by pressing   buttons (14) and press SET again to save the settings.
- The LED display shows the actual inner compartment temperature. The cooling indicator (15) lights up. The showcase begins to cool down to the preset value.



Defrosting

- The appliance is provided with an automatic defrost function. The defrosting automatically starts every 6 hours and lasts for 20 minutes (factory setting).
- **Please do not change any factory settings!** These determine how your appliance works. Changing these settings makes your warranty void. Contact our service if you have any questions.

Switching the lamps on/off

- Press the ON/OFF switch I/O (6) to switch on/off the interior lamp (8).

Locking the door

- Please double check and confirm that there is no person inside the appliance before locking the door (2).
- To lock: insert the key into the lock (3), and press and then turn 180° clockwise and take out the key.
OR To lock: insert the key into the lock (3) and turn 90° clockwise to lock the door.

6. CLEANING

- Unplug your appliance and remove any products to a suitable back-up showcase before cleaning.
- Take out all removable parts before cleaning.
- Clean the inner compartment (10), equipment parts and casing (9) with dry cloth. Do not allow the control panel (7), power cord with plug (5), ventilation opening (1), lamp (8) or other electrical components to become wet.
- Never use corrosive detergents, wire brushes, or abrasive scourers to clean your appliance.
- Never use metal or sharp implements to remove debris.
- Dry all surfaces thoroughly.
- Use dry cloth to clean the gaskets and seals. Check them for debris to ensure the door always closes properly.
- Do not remove or damage the rating label as it contains important data.

Replacing the lamp

- Please do not replace the lamp (8) yourself. Contact qualified personnel for this purpose.
- Note: the specification of replacement lamp should be the same as the original one.

7. DISPOSAL INSTRUCTIONS

Disposal of old appliances

- Disable discarded appliances by removing the plug and cutting through the power cord.
- Break any locks in order to avoid children and other persons becoming trapped. If possible, remove any doors and discard separately.
- Warning - hazardous chemicals! Do not allow children to play with the old appliance.
- Do not damage the refrigerant circuit during storage and transportation of old appliances! Make sure that the evaporator pipes, refrigerant circuit and surface coverings are not damaged. Avoid contact with the eyes as the refrigerant may cause serious eye injury.
- Do not store old appliance near heat and ignition sources. In event of leakage the refrigerant of this appliance is highly inflammable.
- Please note: the refrigeration system contains gases and refrigerants which require specialist waste disposal.

**Disposal of packaging**

All packaging materials should be disposed of in an environmentally friendly way. The cardboard may be used as scrap paper. The protective foil and the foam cushions are CFC – free. Do not allow children to play with the packaging and destroy plastic bags safely. You can break or cut the cardboard into smaller pieces and give to a waste paper disposal service.

**Environmental Protection**

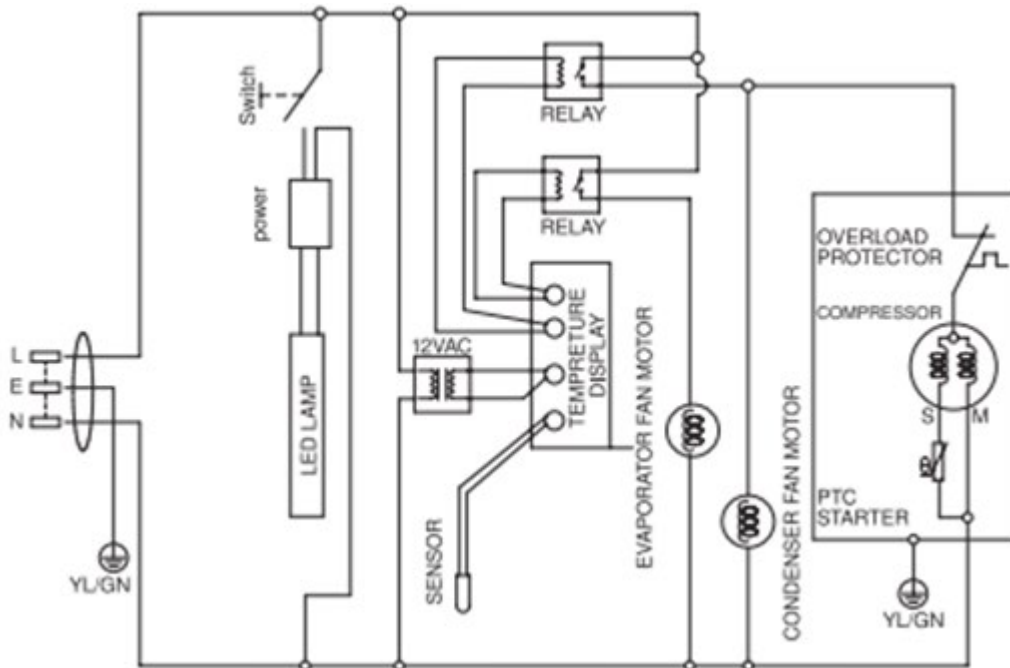
Discarded electric appliances are recyclable and should not be discarded in the domestic waste! Please actively support us in conserving resources and protecting the environment by returning this appliance to the collection centres.

8. TECHNICAL DATA

Model	7527.0005 7527.0030	7527.0010 7527.0035	7527.0015 7527.0040	7527.0020 7527.0045	7527.0025 7527.0050
Type of door	Hinged doors			Sliding doors	
Rated Voltage	220 - 240 V~				
Rated Frequency	50 Hz				
Climate Class	4				
Protection Class	I				
Temperature	0 to +8°C				
Foam Blowing Agent	C-pentane				
Rated Current	1.25 A	1.66 A	1.66 A	1.66 A	1.76 A
Energy Consumption	2.18 kWh/24h	2.60 kWh/24h	3.78 kWh/24h	3.78 kWh/24h	4.76 kWh/24h
Refrigerant	R600a (35 g)	R600a (62 g)	R600a (85 g)	R600a (64 g)	R600a (90 g)
Light	7 W	7 W	9 W	7 W	9 W
Net Volume	128 L	200 L	312 L	200 L	312 L
Net/Gross Weight	48/58 kg	62/72 kg	86/96 kg	65/75 kg	86/96 kg
Dimension (W x H x D)	600x925x540mm	900x925x540mm	1350x925x540mm	900x925x540mm	1350x925x540mm
Noise Level	60 dB(A)	67 dB(A)	67 dB(A)	56 dB(A)	56 dB(A)



8.1 ELECTRICAL DIAGRAM



9. WARRANTY

A statutory warranty applies for this product.

Damages caused by wrong treatment or operation, by false placement or storage, improper connection or installation, as well as force or other external influences are not covered by this warranty. We recommend careful reading of the operating instructions as it contains important information.

Note:

1. In case this product does not function correctly, please firstly check if there are other reasons, e.g. for electrical appliances interruption of the power supply, or generally incorrect handling are the cause.
2. Please note that, where possible, the following documents or rather information should be provided together with your faulty product:
 - Purchase receipt
 - Model description/Type/Brand
 - Describe the fault and problem as detailed as possible

In the case of a claim for guarantee or defects, please contact the seller.




1. BELANGRIJKE VEILIGHEIDSINSTRUCTIES

Lees deze gebruiksaanwijzing zorgvuldig door voordat u het apparaat in gebruik neemt. Neem alle veiligheidsinstructies in acht om schade door verkeerd gebruik te voorkomen!

1. Bewaar deze handleiding voor toekomstig gebruik. Mocht dit apparaat aan een derde worden doorgegeven, dan dient deze handleiding ook te worden overhandigd.
2. Dit apparaat is zwaar. Om letsel of schade te voorkomen, door twee personen uitpakken en opstellen.
3. Gebruik nooit een beschadigd apparaat! Trek de stekker uit het stopcontact en neem bij beschadiging contact op met uw leverancier.
4. Sluit dit apparaat aan en installeer het in strikte overeenstemming met de relevante instructies in deze handleiding.
5. Gebruik het apparaat alleen waarvoor het bedoeld is. Het apparaat is niet bedoeld voor commercieel gebruik.
6. Er wordt geen verantwoordelijkheid aanvaard voor schade die het gevolg is van oneigenlijk gebruik of het niet naleven van de instructies.
7. Gebruik het apparaat alleen binnenshuis.
8. **Gevaar voor elektrische schok!** Probeer het apparaat nooit zelf te repareren. Raadpleeg een gekwalificeerde klantenservice voor onderhoud en reparaties.
9. Controleer de stekker en het snoer regelmatig op schade. Een beschadigd netsnoer moet worden vervangen door de fabrikant, zijn klantendienst of een gelijkaardig gekwalificeerd persoon om gevaar voor letsel te vermijden.
10. Voordat u de stekker in het stopcontact steekt, moet u controleren of de nominale spanning en stroomsterkte van de voeding overeenkomen met de details van de voeding die op het typeplaatje van het apparaat staan vermeld.
11. Voorkom schade aan het netsnoer. Niet knijpen, buigen of schuren aan scherpe randen. Weg houden van hete oppervlaktes en open vlammen.
12. Laat de aardingsdraad aansluiten op de aansluiting van equipotentialiteit door een gekwalificeerde technicus.
13. Sluit het apparaat voor uw veiligheid alleen aan op een correct geaard stopcontact. Haal de stekker van het apparaat onmiddellijk uit het stopcontact als u een elektrische schok krijgt bij het aanraken van het apparaat.
14. Trek niet aan het snoer zelf. Trek alleen aan de stekker. Wikkel het snoer niet rond het apparaat.
15. Dit apparaat moet worden geaard!
16. Maak het netsnoer veilig vast, zodat er niet per ongeluk aan wordt getrokken of erover gestruikeld.
17. Sluit de stekker aan op een gemakkelijk bereikbaar stopcontact, zodat het apparaat in geval van nood direct kan worden losgekoppeld.
18. Gebruik nooit hulpstukken die niet zijn aanbevolen door de fabrikant. Ze kunnen een gevaar vormen voor de gebruiker en het apparaat beschadigen. Gebruik alleen de originele accessoires.
19. Het apparaat wordt gevoed wanneer het is aangesloten op het elektriciteitsnet.
20. **Waarschuwing!** Steek geen voorwerpen in de behuizing van het apparaat.
21. Open de behuizing niet.
22. Blokkeer of bedek de ventilatieopeningen niet. Houd het apparaat te allen tijde goed geventileerd.
23. Mocht het deksel van het licht- of ventilatorrooster eraf vallen of breken, trek dan onmiddellijk de stekker uit het stopcontact en neem contact op met gekwalificeerd personeel voor reparatie.
24. Dit apparaat is niet bedoeld voor gebruik door personen (met inbegrip van kinderen) met verminderde lichamelijke, zintuiglijke of geestelijke vermogens of gebrek aan ervaring en kennis, tenzij zij door een, voor hun veiligheid verantwoordelijke persoon, worden begeleid of onderricht hebben gehad in het gebruik van het apparaat.
25. Kinderen moeten onder toezicht staan om ervoor te zorgen dat zij niet met het apparaat spelen.
26. Bewaar de sleutel van het slot van het apparaat niet in de buurt van of binnen het bereik van kinderen.
27. Raak het apparaat niet met natte of vochtige handen aan. Gebruik het apparaat niet met natte handen of als u op een natte vloer staat.



28. **Waarschuwing!** Dompel het apparaat tijdens reiniging of gebruik niet onder in water of andere vloeistoffen. Reinig het apparaat niet met een tuinslang.
29. Mocht er water in het apparaat stromen, trek dan onmiddellijk de stekker uit het stopcontact en laat het door gekwalificeerd personeel inspecteren voordat u het weer gebruikt.
30. Trek de stekker uit het stopcontact als u het apparaat niet gebruikt en voordat u het schoonmaakt.
31. Plaats geen brandbare, explosieve of vluchtige voorwerpen, bijtende zuren of alkaliën in het apparaat. Bewaar sterke drank alleen rechtop en sluit ze goed af. Containers met ontvlambare gassen en vloeistoffen kunnen bij lage temperaturen lekken en vlam vatten door vonken van elektrische apparaten.
32. Ontploffingsgevaar!
33. Zorg ervoor dat er geen chemische stoffen in de binnenkant van het apparaat komen.
34. **Waarschuwing!** Dit product is bedoeld voor het bewaren van voedsel in containers. Plaats er geen voedsel in zonder dat het in een container zit.
35. Lekkende olie kan de rubberen pakkingen van het apparaat beschadigen. Zorg ervoor dat producten met olie goed verpakt zijn en niet kunnen lekken.
36. Houd het apparaat uit de buurt van hete oppervlakken en open vlammen.
37. Gebruik het toestel altijd op een vlakke, stabiele, schone, hittebestendige en droge ondergrond.
38. Gebruik het apparaat niet in de buurt van explosieve en ontvlambare dampen.
39. De minimale afstandsspecificatie tot de omringende wegversperring is 1 meter.
40. Beschadig geen onderdelen van het apparaat die koelmiddel bevatten door te prikken, te perforeren, te pletten, te draaien of te schrapen.
41. Brandgevaar! Haal bij lekkage van koelmiddel de stekker uit het stopcontact, verwijder eventuele ontstekingsbronnen in de buurt, ventileer de ruimte en neem contact op met uw leverancier. Vermijd contact met de ogen, aangezien het koelmiddel ernstig oogletsel kan veroorzaken. Details over het koelmiddel vindt u op het typeplaatje.
42. Haal bij brand de stekker uit het stopcontact of haal de stekker uit het stopcontact.
43. **Waarschuwing!** Mors geen water op het apparaat wanneer het is aangesloten op het elektriciteitsnet. Risico op elektrische schokken!
44. Versnel het ontdooiproces niet met behulp van mechanische apparaten, verwarmingsbronnen (kaarsen of kachels) of andere middelen. De vrijkomende stoom kan kortsluiting veroorzaken en te hoge temperaturen kunnen de kunststof bekleding van het apparaat beschadigen.
45. Gebruik geen elektrische apparaten in het binnenste compartiment.
46. Neem beschermende maatregelen om langdurig huidcontact met koude oppervlakken van het binnenste compartiment of met gekoelde producten te voorkomen, bijv. draag handschoenen.
47. Plaats nooit warme of hete gerechten rechtstreeks in het apparaat.
48. Dek voedsel af om geurtjes te voorkomen en vers te houden. Gebruik geen producten die te lang zijn bewaard om voedselvergiftiging te voorkomen.
49. Let op: brandgevaar 
50. Waarschuwing - zorg ervoor dat alle ventilatieopeningen in de behuizing van het apparaat of in de structuur voor inbouw vrij zijn.
51. Waarschuwing - gebruik geen mechanische apparaten of andere middelen om het ontdooiproces te versnellen, anders dan die welke door de fabrikant worden aanbevolen.
52. Waarschuwing - beschadig het koelcircuit niet.
53. Waarschuwing - gebruik geen elektrische apparaten in de voedselopslagcompartimenten van het apparaat, tenzij ze van het type zijn dat door de fabrikant wordt aanbevolen.

2. BEOOGD GEBRUIK

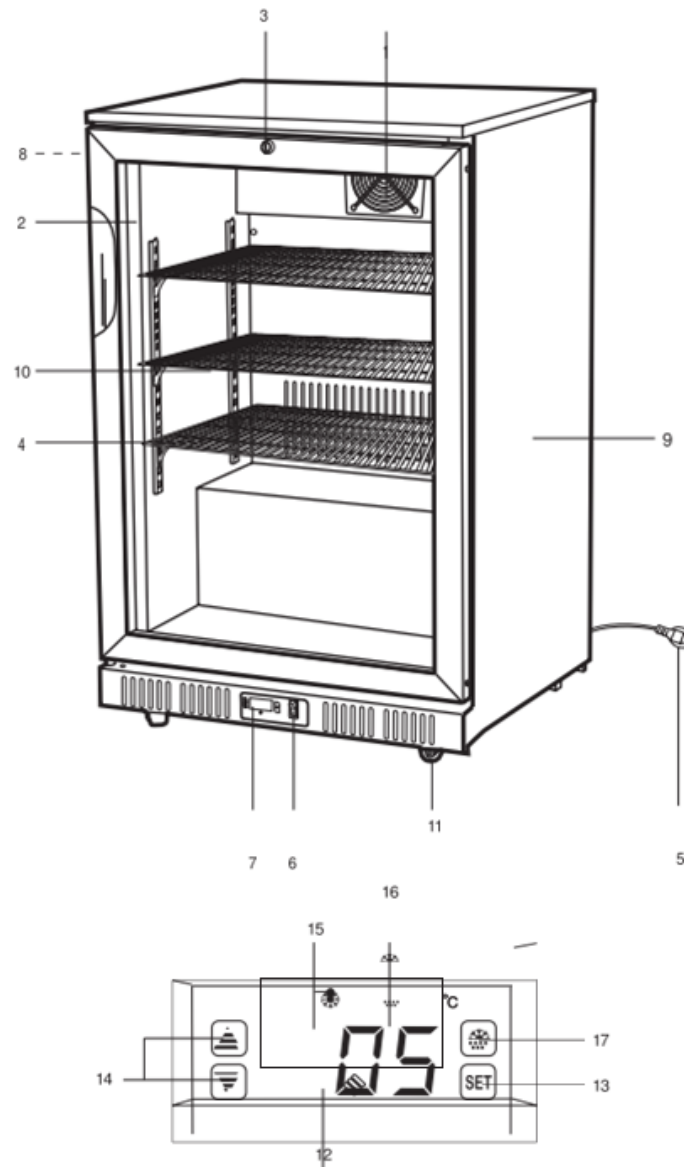
Gebruik dit apparaat alleen voor het koelen en bewaren van voedsel en drank voor commerciële doeleinden.





3. PARTS

7527.0005

7527.0030

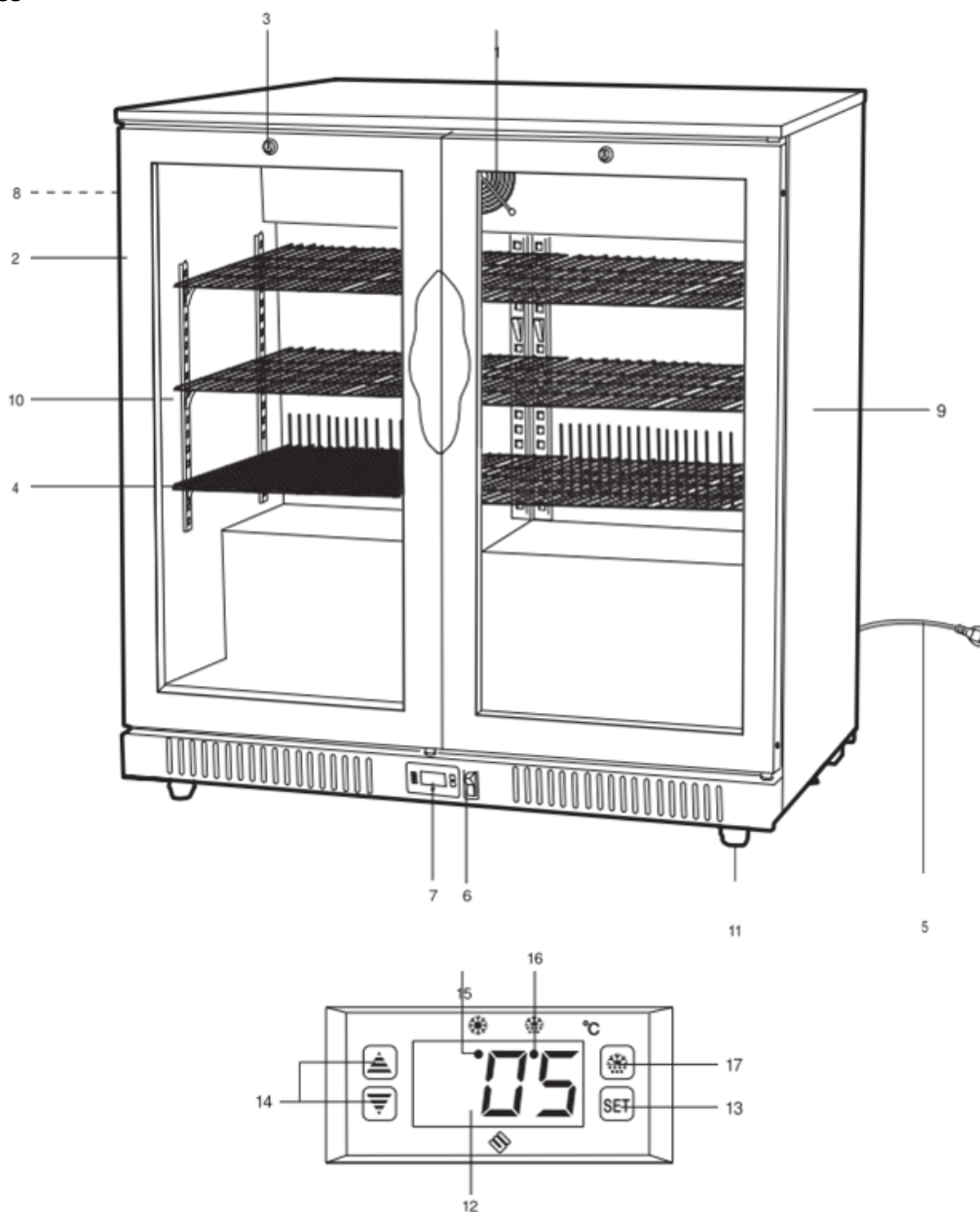


1. Ventilatieopening met rooster
2. Deur
3. Slot
4. Rekken
5. Netsnoer met stekker
6. AAN/UIT-schakelaar I/O
7. Bedieningspaneel met deksel
8. Lamp (LED)
9. Behuizing
10. Binnenste compartiment
11. Zwenkwielen



12. Ledscherm
13. SET-knop
14.  knoppen
15. Koelindicator
16. Ontdooiindicator
17.  knop (Opmerking: het apparaat is voorzien van een automatische ontdooifunctie. Handmatig instellen is niet nodig.)



7527.0010
7527.0035

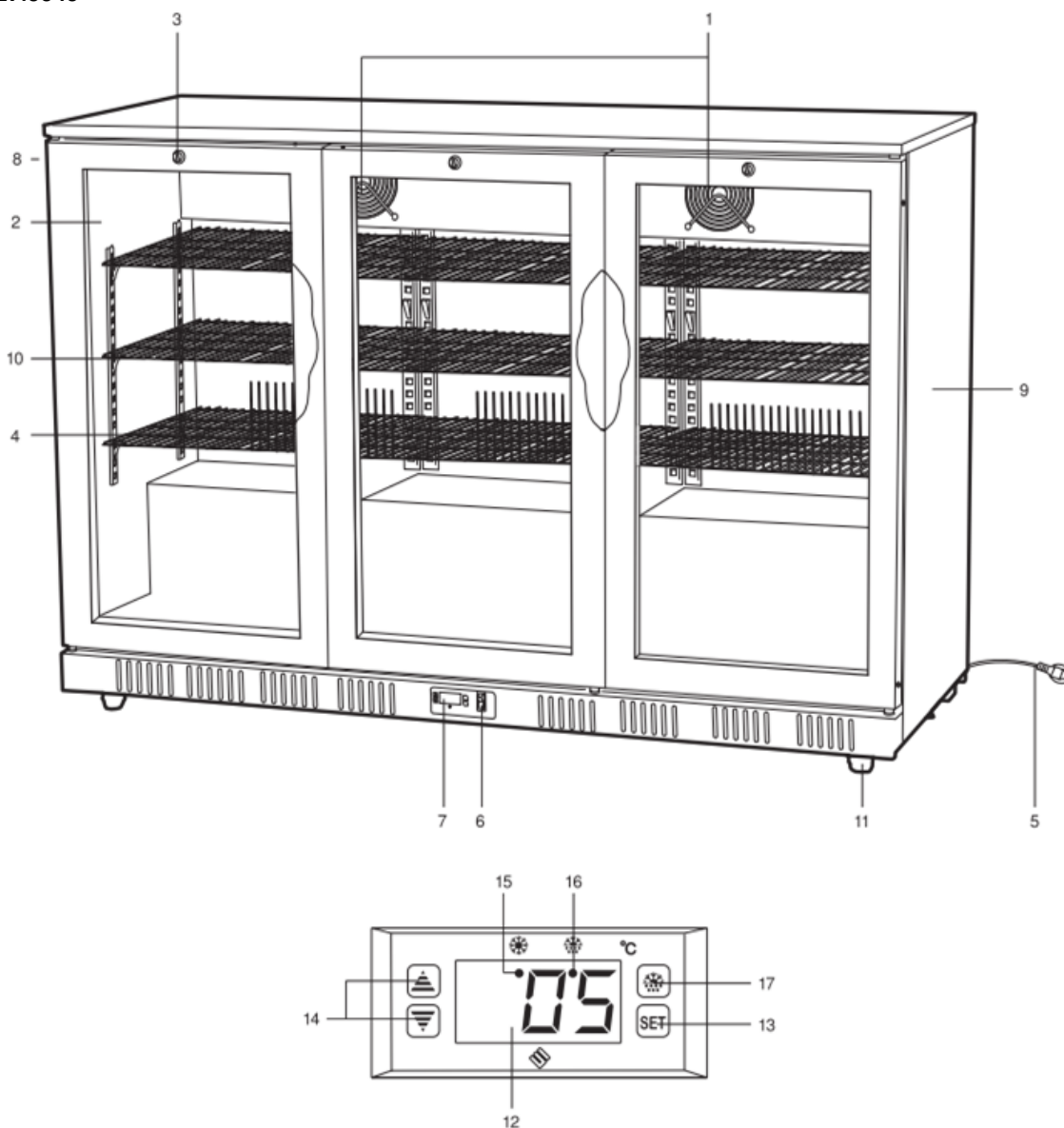


1. Ventilatieopening met rooster
2. Deur
3. Slot
4. Rekken
5. Netsnoer met stekker
6. AAN/UIT-schakelaar I/O
7. Bedieningspaneel met deksel
8. Lamp (LED)
9. Behuizing
10. Binnenste compartiment
11. Zwenkwielen



12. Ledscherm
13. SET-knop
14.  knoppen
15. Koelindicator
16. Ontdooiindicator
17.  knop (Opmerking: het apparaat is voorzien van een automatische ontdooifunctie. Handmatig instellen is niet nodig.)



7527.0015
7527.0040

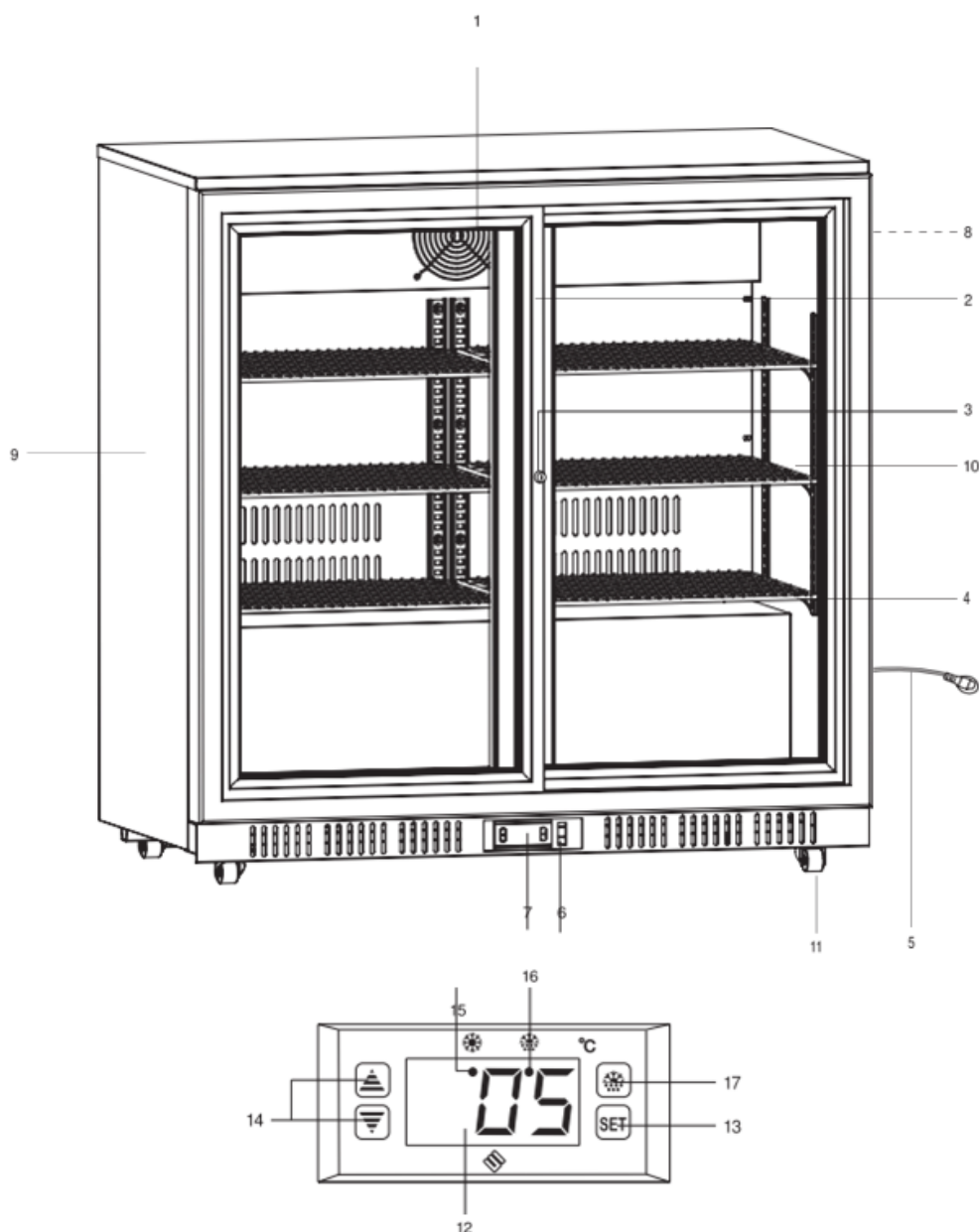


1. Ventilatieopening met rooster
2. Deur
3. Slot
4. Rekken
5. Netsnoer met stekker
6. AAN/UIT-schakelaar I/O
7. Bedieningspaneel met deksel
8. Lamp (LED)
9. Behuizing
10. Binnenste compartiment
11. Zwenkwielen




12. Ledscherm
13. SET-knop
14.  knoppen
15. Koelindicator
16. Ontdooiindicator
17.  knop (Opmerking: het apparaat is voorzien van een automatische ontdooifunctie. Handmatig instellen is niet nodig.)



7527.0020
7527.0045

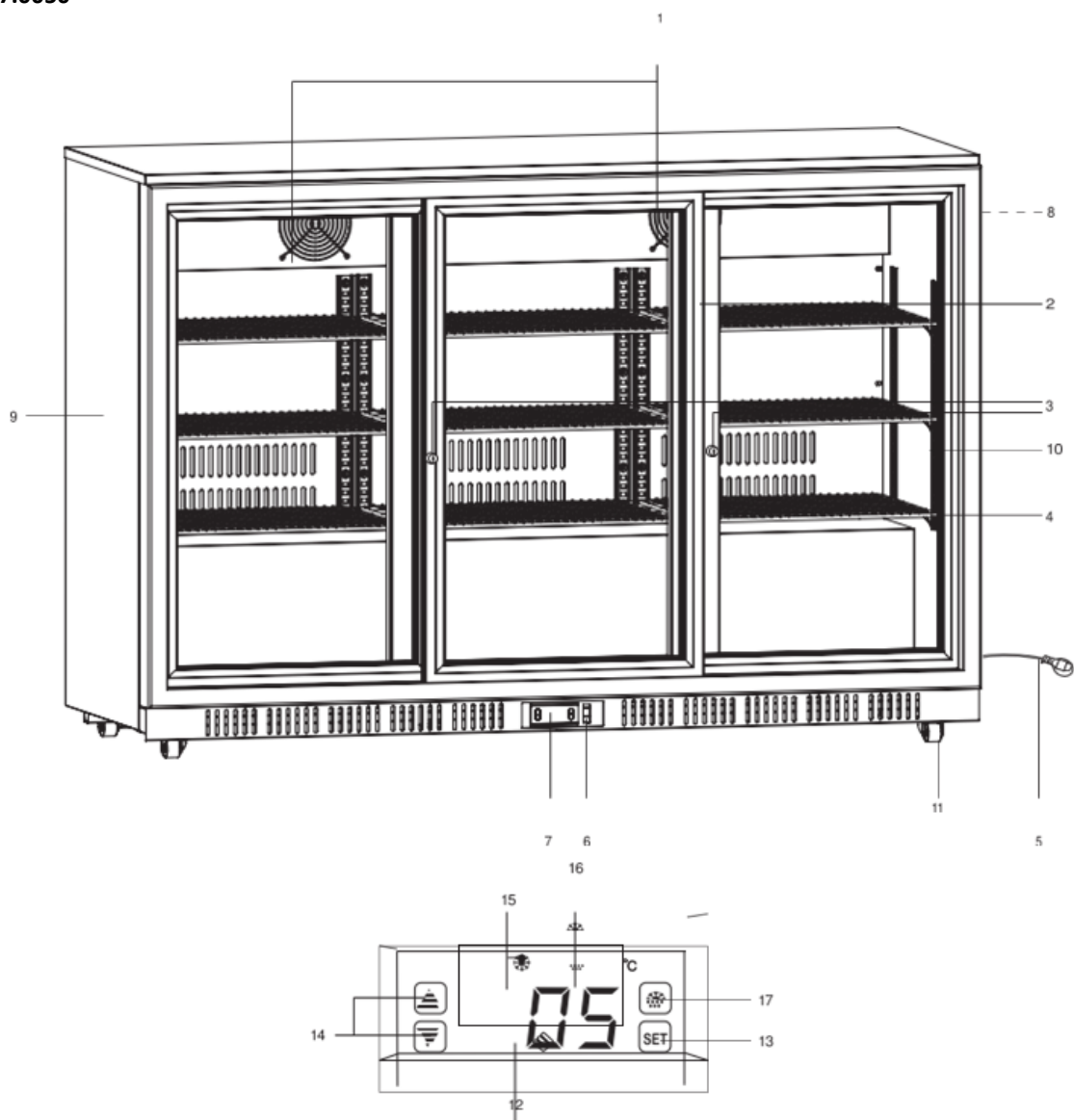


1. Ventilatieopening met rooster
2. Deur
3. Slot
4. Rekken
5. Netsnoer met stekker
6. AAN/UIT-schakelaar I/O
7. Bedieningspaneel met deksel
8. Lamp (LED)
9. Behuizing
10. Binnenste compartiment
11. Zwenkwielen



12. Ledscherm
13. SET-knop
14.   knoppen
15. Koelindicator
16. Ontdooiindicator
17.  knop (Opmerking: het apparaat is voorzien van een automatische ontdooifunctie. Handmatig instellen is niet nodig.)



7527.0025
7527.0050



1. Ventilatieopening met rooster
2. Deur
3. Slot
4. Rekken
5. Netsnoer met stekker
6. AAN/UIT-schakelaar I/O
7. Bedieningspaneel met deksel
8. Lamp (LED)
9. Behuizing
10. Binnenste compartiment
11. Zwenkwielen

12. Ledscherm
13. SET-knop
14.  knoppen
15. Koelindicator
16. Ontdooiindicator
17.  knop (Opmerking: het apparaat is voorzien van een automatische ontdooifunctie. Handmatig instellen is niet nodig.)



4. VOOR HET EERSTE GEBRUIK

- Verwijder al het verpakkingsmateriaal (Verwijdering van verpakking). →
- Controleer op volledigheid en transportschade. Neem bij schade of onvolledige levering contact op met uw dealer. (Garantie). →
- Maak het apparaat schoon (Reiniging). →
- Plaats het apparaat op een horizontale en stabiele ondergrond met een maximale helling van 5%.
- Stel geen delen bloot die warm worden. Probeer het apparaat dicht bij een muur te plaatsen, maar laat voldoende ruimte voor ventilatie om een goede circulatie en efficiëntie van het apparaat te garanderen.
- Houd het apparaat uit de buurt van stoffen die ontstekingen kunnen veroorzaken.
- Plaats het apparaat niet in direct zonlicht of in de buurt van warmtebronnen.
- Bescherm het apparaat tegen vocht, extreme hitte of kou.
- Klimaatklasse van het toestel: 4. Zie de klimaatklasse en het bijbehorende temperatuurbereik ter referentie.

Klimaatklasse testruimte	Droge boltemperatuur	Relatieve vochtigheid
	°C	%
1	16	80
2	22	65
3	25	60
4	30	55
5	40	40



- **Gebruik nooit een verlengsnoer - gevaar voor oververhitting!** Als het netsnoer (5) het dichtstbijzijnde stopcontact niet bereikt, moet u de indeling van uw winkel anders indelen of gekwalificeerd personeel vragen om een nieuw stopcontact te plaatsen.
- Het apparaat is voorzien van zwenkwielen (11), zodat u het gemakkelijk van de ene naar de andere plaats kunt verplaatsen. Twee van de vier zwenkwielen hebben remmen. **Waarschuwing!** Verplaats het apparaat niet over oneffen vloeren of trappen.
- Als de stroom uitvalt, wacht dan minimaal 5 minuten voordat u de stekker weer in het stopcontact steekt om beschadiging van de compressor te voorkomen.
- **Belangrijk!** Laat het apparaat 8 uur rechtop staan voordat u het voor de eerste keer aansluit op een stopcontact, zodat het koelmiddel kan bezinken.
- De maximale belasting voor een rek (4) is 30 kg.

5. BEDIENING

- Sluit de stekker (5) aan op het stopcontact.
- De vitrine begint te werken.
- De thermostaat (digitale temperatuurregelaar) bevindt zich aan de onderkant van het toestel.
- Na enkele seconden geeft het ledscherm (12) de actuele temperatuur van het binnenste compartiment (10) weer. De koelindicator (15) licht op. De vitrine begint automatisch af te koelen tot de vooraf ingestelde temperatuur.
- Nadat de temperatuur van het binnenste compartiment de vooraf ingestelde waarde heeft bereikt, gaat de koelindicator (15) uit zolang de temperatuur van het binnenste compartiment constant is.
- De in de fabriek ingestelde temperatuur ligt tussen 2-8°C. **Pas dit niet binnen de eerste 24 uur aan!** Pas na 24 uur de temperatuur indien nodig geleidelijk aan.



De temperatuur regelen

- Druk op SET (13), het ledscherm (12) knippert. Selecteer de gewenste temperatuur door op de knoppen (14) te drukken en druk nogmaals op SET om de instellingen op te slaan.  
- Het ledscherm toont de actuele temperatuur van het binnenste compartiment. De koelindicator (15) licht op. De vitrine begint af te koelen tot de ingestelde waarde.

Ontdooiproces

- Het apparaat is voorzien van een automatische ontdooifunctie. Het ontdooiproces start automatisch elke 6 uur en duurt 20 minuten (fabrieksinstelling).
- **Verander a.u.b. geen fabrieksinstellingen!** Deze bepalen hoe uw toestel werkt. Als u deze instellingen wijzigt, vervalt uw garantie. Neem bij vragen contact op met onze service.

De lampen in-/uitschakelen

- Druk op de AAN/UIT-schakelaar I/O (6) om de binnenverlichting (8) in/uit te schakelen.

De deur vergrendelen

- Controleer nogmaals en bevestig dat er niemand in het apparaat is voordat u de deur vergrendelt (2).
- Om te vergrendelen: steek de sleutel in het slot (3), druk erop en draai vervolgens 180° met de klok mee en haal de sleutel eruit.
OF Om te vergrendelen: steek de sleutel in het slot (3) en draai 90° rechtsom om de deur te vergrendelen.

6. REINIGING

- Haal de stekker van uw apparaat uit het stopcontact en verwijder alle producten naar een geschikte reservevitrine voordat u deze reinigt.
- Verwijder alle verwijderbare onderdelen voor het reinigen.
- Reinig het binnenvak (10), apparatuuronderdelen en behuizing (9) met een droge doek. Laat het bedieningspaneel (7), netsnoer met stekker (5), ventilatieopening (1), lamp (8) of andere elektrische componenten niet nat worden.
- Gebruik nooit bijtende schoonmaakmiddelen, staalborstels of schuursponsjes om uw apparaat te reinigen.
- Gebruik nooit metalen of scherpe voorwerpen om vuil te verwijderen.
- Droog alle oppervlakken grondig af.
- Gebruik een droge doek om de pakkingen en afdichtingen te reinigen. Controleer ze op vuil om ervoor te zorgen dat de deur altijd goed sluit.
- Verwijder of beschadig het classificatielabel niet omdat het belangrijke gegevens bevat.

DE LAMP VERVANGEN

- Gelieve de lamp (8) niet zelf te vervangen. Neem hiervoor contact op met gekwalificeerd personeel.
- Opmerking: de specificatie van de vervangende lamp moet hetzelfde zijn als de originele.



7. INSTRUCTIES VOOR HET WEGGOOIEN

Oude apparaten weggooien

- Schakel afgedankte apparaten uit door de stekker te verwijderen en het netsnoer door te snijden.
- Breek eventuele sloten om te voorkomen dat kinderen en andere personen bekneld raken. Verwijder indien mogelijk alle deuren en gooi ze apart weg.
- Waarschuwing - gevaarlijke chemicaliën! Laat kinderen niet met het oude apparaat spelen.
- Beschadig het koelmiddelcircuit niet tijdens opslag en transport van oude apparaten! Zorg ervoor dat de verdamperleidingen, het koelmiddelcircuit en de oppervlaktebekledingen niet beschadigd zijn. Vermijd contact met de ogen, aangezien het koelmiddel ernstig oogletsel kan veroorzaken.
- Bewaar het oude apparaat niet in de buurt van warmte- en ontstekingsbronnen. Bij lekkage is het koelmiddel van dit apparaat licht ontvlambaar.
- Let op: het koelsysteem bevat gassen en koelmiddelen die specialistische afvalverwerking vereisen.



Verpakking weggooien

Alle verpakkingsmaterialen dienen op een milieuvriendelijke manier te worden weggegooid. Het karton kan als kladpapier worden gebruikt. De beschermfolie en de schuimkussens zijn CFK-vrij. Laat kinderen niet met de verpakking spelen en vernietig plastic zakken op een veilige manier. U kunt het karton breken of in kleinere stukken snijden en inleveren bij een afvalverwerkingsdienst.



Bescherming van het milieu

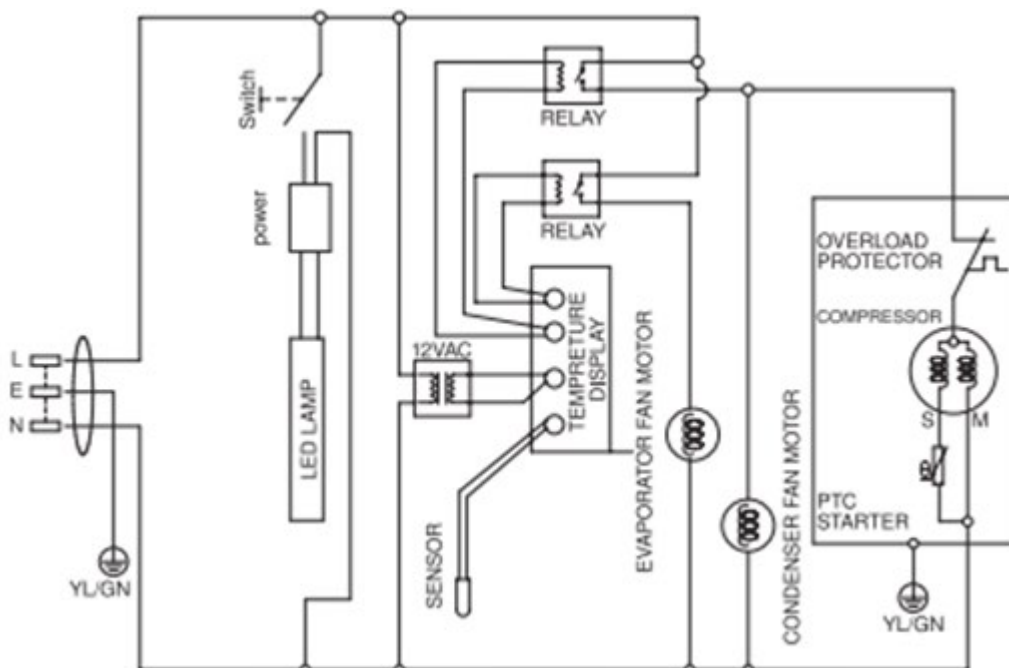
Afgedankte elektrische apparaten zijn recyclebaar en horen niet bij het huisvuil! Ondersteun ons actief bij het sparen van hulpbronnen en het beschermen van het milieu door dit apparaat terug te brengen naar de inzamelcentra.

8. TECHNISCHE GEGEVENS

Model	7527.0005 7527.0030	7527.0010 7527.0035	7527.0015 7527.0040	7527.0020 7527.0045	7527.0025 7527.0050
Type deur	Scharnierdeuren			Schuifdeuren	
Nominale spanning	220 - 240 V~				
Nominale frequentie	50 Hz				
Climate Class	4				
Beschermingsklasse	I				
Temperatuur	0 to +8°C				
Schuimblaasmiddel	C-pentaan				
Nominale stroom	1,25 A	1,66 A	1,66 A	1,66 A	1,76 A
Energie Verbruik	2,18 kWh/24u	2,60 kWh/24u	3,78 kWh/24u	3,78 kWh/24u	4,76 kWh/24u
Koelmiddel	R600a (35 g)	R600a (62 g)	R600a (85 g)	R600a (64 g)	R600a (90 g)
Licht	7 W	7 W	9 W	7 W	9 W
Nettovolume	128 L	200 L	312 L	200 L	312 L
Netto/Bruto gewicht	48/58 kg	62/72 kg	86/96 kg	65/75 kg	86/96 kg
Afmeting (B x H x D)	600x925x540mm	900x925x540mm	1350x925x540mm	900x925x540mm	1350x925x540mm
Geluidsniveau	60 dB(A)	67 dB(A)	67 dB(A)	56 dB(A)	56 dB(A)



8.1 ELEKTRISCH SCHEMA



9. GARANTIE

Voor dit product geldt een wettelijke garantie.

Schade veroorzaakt door verkeerde behandeling of bediening, door verkeerde plaatsing of opslag, onjuiste aansluiting of installatie, evenals kracht of andere externe invloeden vallen niet onder deze garantie. We raden aan om de handleiding zorgvuldig te lezen, omdat deze belangrijke informatie bevat.

Opmerking:

1. Als dit product niet correct functioneert, controleer dan eerst of er andere redenen zijn, bijv. bij elektrische apparaten onderbreking van de stroomtoevoer, of in het algemeen onjuiste bediening de oorzaak zijn.
2. Houd er rekening mee dat, waar mogelijk, de volgende documenten of liever informatie samen met uw defecte product moeten worden verstrekt:
 - Aankoopbon
 - Modelbeschrijving/Type/Merk
 - Beschrijf de storing en het probleem zo gedetailleerd mogelijk

Neem in het geval van een aanspraak op garantie of defecten contact op met de verkoper.



1. WICHTIGE SICHERHEITSANWEISUNGEN

Lesen Sie diese Gebrauchsanweisung vor Inbetriebnahme des Gerätes sorgfältig durch! Beachten Sie alle Sicherheitshinweise, um Schaden durch nicht sachgemäßen Gebrauch zu vermeiden!

1. Bewahren Sie die Gebrauchsanweisung für den weiteren Gebrauch auf. Sollte dieses Gerät an Dritte weitergegeben werden, muss diese Gebrauchsanweisung mit ausgehändigt werden.
2. Dieses Gerät ist schwer. Entpacken und Aufstellen sollte von zwei Personen durchgeführt werden, um Personen- und Sachschaden zu vermeiden.
3. Benutzen Sie nie ein beschädigtes Gerät! Trennen Sie das Gerät vom Netz und benachrichtigen Sie Ihren Kundendienst, wenn das Gerät beschädigt ist.
4. Montieren und schließen Sie das Gerät nur nach den Angaben dieser Gebrauchsanweisung an.
5. Verwenden Sie das Gerät nur für den vorgesehenen Zweck. Das Gerät ist für kommerziellen Gebrauch geeignet.
6. Im Falle von unsachgemäßem Gebrauch oder falscher Handhabung kann keine Haftung für eventuell auftretende Schäden übernommen werden.
7. Benutzen Sie das Gerät ausschließlich in Innenräumen.
8. **Stromschlaggefahr!** Versuchen Sie auf keinen Fall das Gerät selbst zu reparieren. Wenden Sie sich zur Wartung und Reparatur an einen qualifizierten Kundendienst.
9. Überprüfen Sie regelmäßig den Netzstecker und das Netzkabel auf Schaden. Wenn das Netzkabel dieses Gerätes beschädigt wird, muss es durch den Hersteller oder seinen Kundendienst oder eine ähnlich qualifizierte Person ersetzt werden, um Gefährdungen zu vermeiden.
10. Prüfen Sie vor dem Anschluss an die Netzversorgung ob Stromart und Netzspannung mit den Angaben auf dem Typenschild übereinstimmen.
11. Vermeiden Sie eine Beschädigung des Netzkabels durch Quetschen, Knicken oder Scheuern an scharfen Kanten und halten Sie es von heißen Oberflächen und offenen Flammen fern,
12. Bitte verbinden Sie die Erdleitung mit der Aquipotentialklemme. Diese Arbeiten sollten von einem qualifizierten Techniker ausgeführt werden.
13. Schließen Sie zu Ihrer Sicherheit das Gerät nur über eine vorschriftsmäßig geerdete Schutzkontakt-Steckdose an. Trennen Sie das Gerät vom Netz wenn Sie einen Stromschlag bei Berührung des Geräts spüren.
14. Ziehen Sie den Netzstecker nicht am Kabel aus der Steckdose und wickeln Sie das Netzkabel nicht um das Gerät.
15. Dieses Gerät muss geerdet werden!
16. Verlegen Sie das Netzkabel so, dass ein unbeabsichtigtes Ziehen daran bzw. ein Darüberstülpen nicht möglich ist.
17. Verbinden Sie den Netzstecker mit einer gut erreichbaren Steckdose, um im Notfall das Gerät schnell von der Netzversorgung trennen zu können.
18. Verwenden Sie deshalb nur Original-Zubehör.
19. Das Gerät steht unter Strom, solange es ans Stromnetz angeschlossen ist.
20. **Achtung!** Führen Sie keine fremdartigen Gegenstände in das Innere des Gehäuses.
21. Öffnen Sie unter keinen Umständen das Gehäuse.
22. Blockieren Sie nicht die Ventilationsöffnung. Stellen Sie sicher, dass das Gerät immer ausreichend belüftet ist.
23. Sollte die Lampenabdeckung oder der Rost der Ventilationsöffnung abfallen oder zerbrechen, trennen Sie das Gerät sofort vom Netz und lassen Sie Reparaturen von qualifizierten Fachleuten durchführen.
24. Dieses Gerät ist nicht dafür bestimmt, durch Personen (einschließlich Kinder) mit eingeschränkten physischen, sensorischen oder geistigen Fähigkeiten oder mangels Erfahrung und/oder mangels Wissen benutzt zu werden, es sei denn, sie werden durch eine für ihre Sicherheit zuständige Person beaufsichtigt oder erhalten von ihren Anweisungen, wie das Gerät zu benutzen ist.
25. Kinder sollten beaufsichtigt werden, um sicherzustellen, dass sie nicht mit dem Gerät spielen.
26. Bewahren Sie die Schlüssel für dieses Gerät nicht in seiner Nähe oder für Kinder zugänglich auf.



27. Berühren Sie das Gerät nicht mit nassen oder feuchten Händen. Nehmen Sie das Gerät nicht mit feuchten Händen, Oder auf nassem Boden stehend in Betrieb.
28. Achtung! Tauchen Sie das Gerät während des Reinigens oder des Betriebs nie in Wasser oder andere Flüssigkeiten. Reinigen Sie das Gerät nicht mit dem Gartenschlauch!
29. Sollte Wasser in das Gerät gelaufen sein, ziehen Sie sofort den Netzstecker und lassen Sie das Gerät von Fachpersonal prüfen, bevor Sie es wieder in Betrieb nehmen.
30. Lagern Sie keine entflammaren, explosiven oder flüchtigen Stoffe, atzende Säuren oder Alkalien im Gerät. Lagern Sie hochprozentigen Alkohol nur aufrecht und fest verschlossen in dem Gerät. Gas- und Flüssigkeitsbehälter können bei niedrigen Temperaturen undicht werden. Bei der Funkenbildung durch elektrische Bauteile können austretende entflammare Stoffe entzündet werden. **Es besteht Explosionsgefahr!**

2. BESTIMMUNGSGEMASSER GEBRAUCH

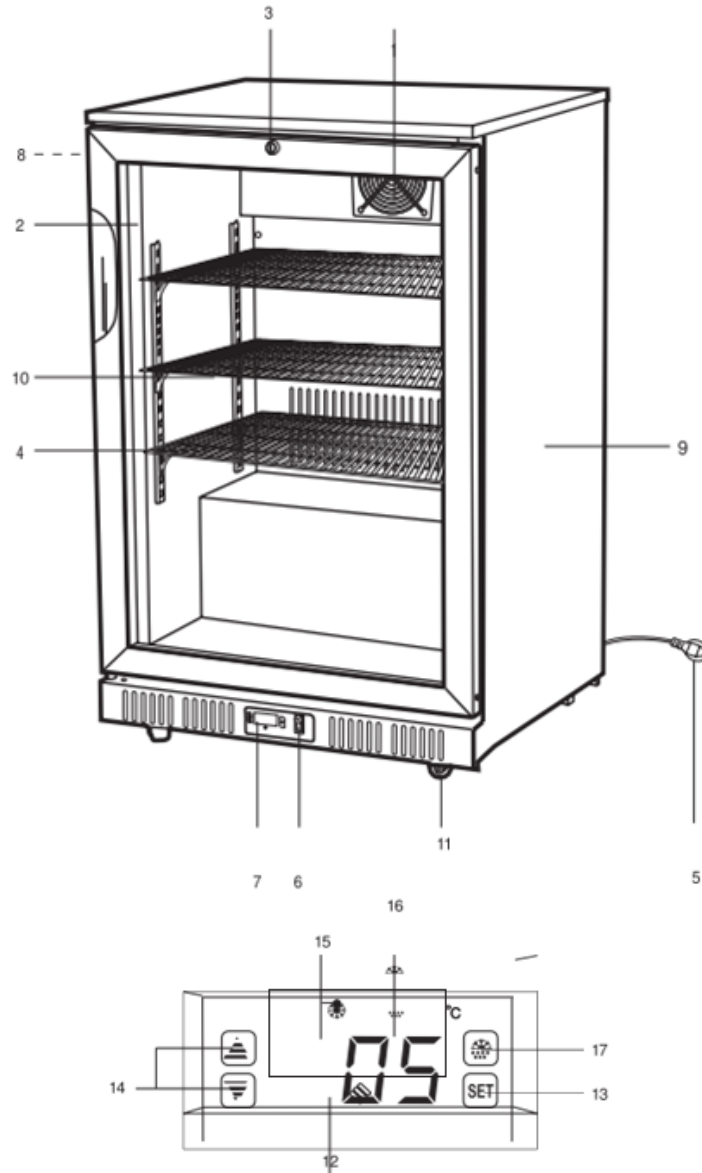
Verwenden Sie dieses Gerät ausschließlich zum Kühlen und Aufbewahren von Speisen und Getränken für gewerbliche Zwecke.





3. BEDIENELEMENTE

7527.0005

7527.0030

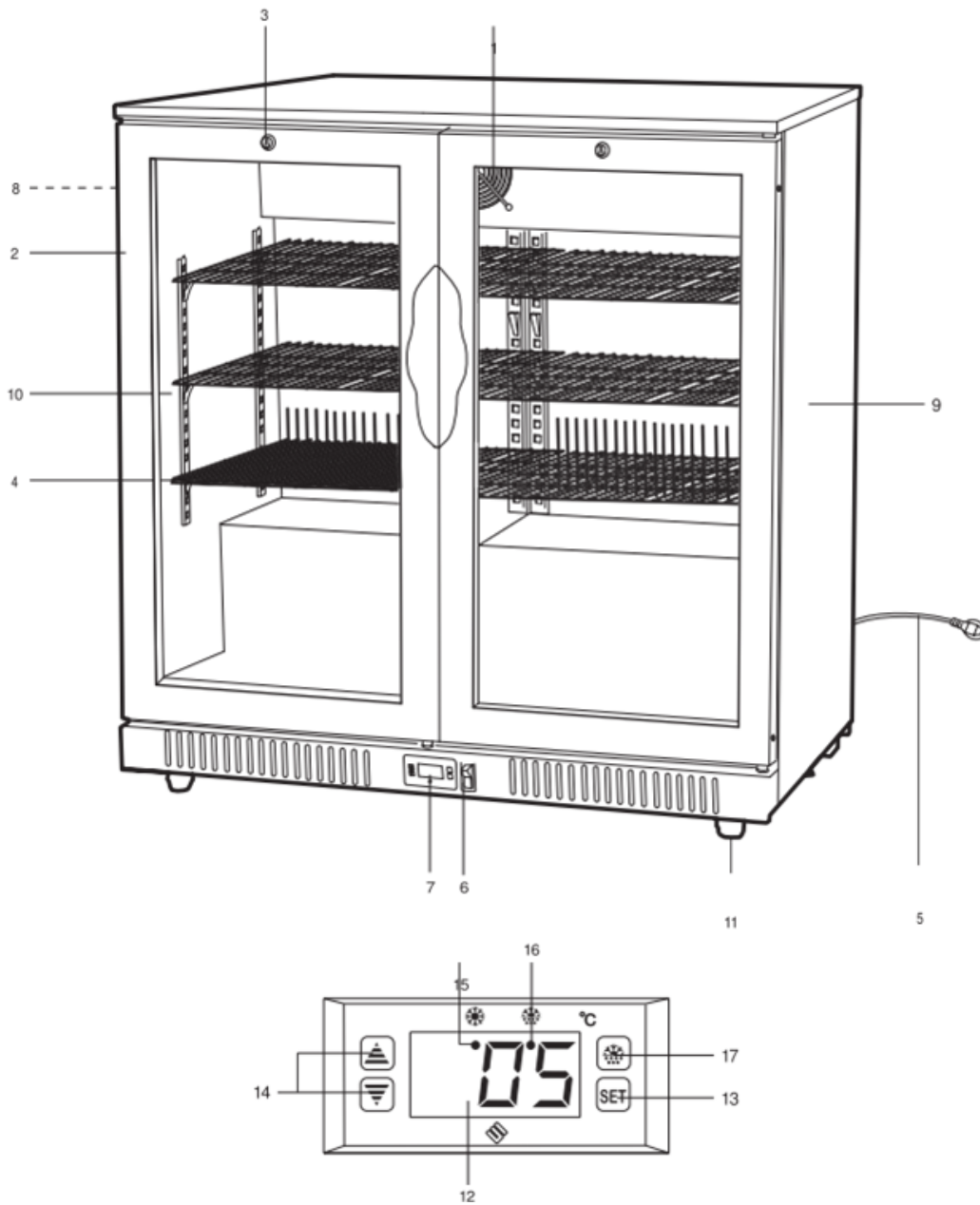


1. Ventilationsoffnung mit Rost
2. Tür
3. Schloss
4. Regale
5. Netzkabel mit Netzstecker
6. Ein-/Ausshalter I/O
7. Bedienfeld
8. Lampe (LED)
9. Gehäuse
10. Innenraum
11. Rollen



12. LED-Anzeige
13. Taste SET
14.  Tasten
15. Kühlanzeige
16. Abtauanzeige
17.  Taste (Hinweis: Das Gerät verfügt über eine automatische Abtaufunktion. Keine manuelle Einstellung erforderlich.)



7527.0010
7527.0035

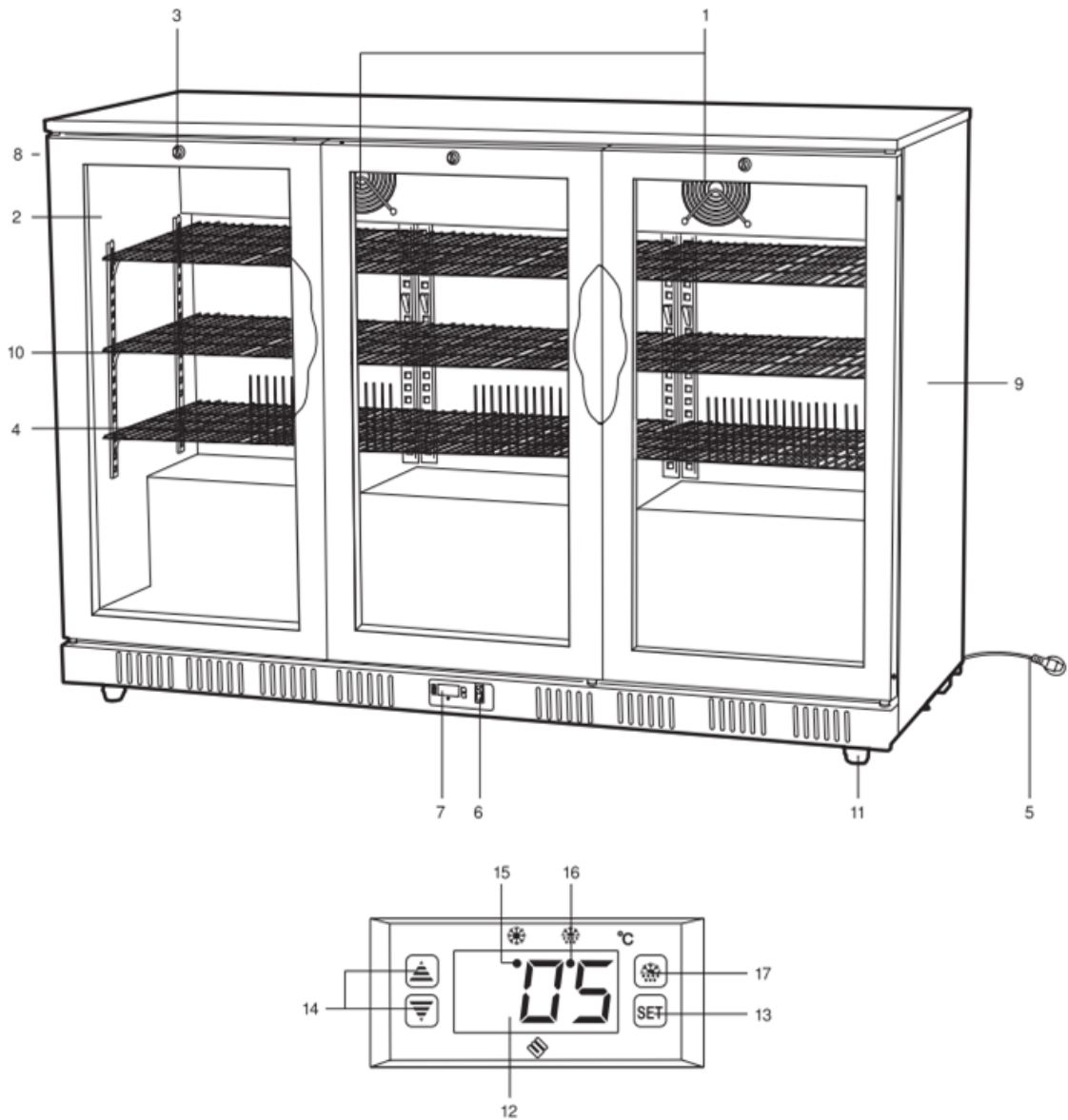


- 1. Ventilationsöffnung mit Rost
- 2. Tür
- 3. Schloss
- 4. Regale
- 5. Netzkabel mit Netzstecker
- 6. Ein-/Ausschalter I/O
- 7. Bedienfeld
- 8. Lampe (LED)
- 9. Gehäuse
- 10. Innenraum
- 11. Rollen


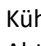
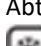

- 12. LED-Anzeige
- 13. Taste SET
- 14.  Tasten
- 15. Kühlanzeige
- 16. Abtauanzeige
- 17.  Taste (Hinweis: Das Gerät verfügt über eine automatische Abtaufunktion. Keine manuelle Einstellung erforderlich.)



7527.0015
7527.0040

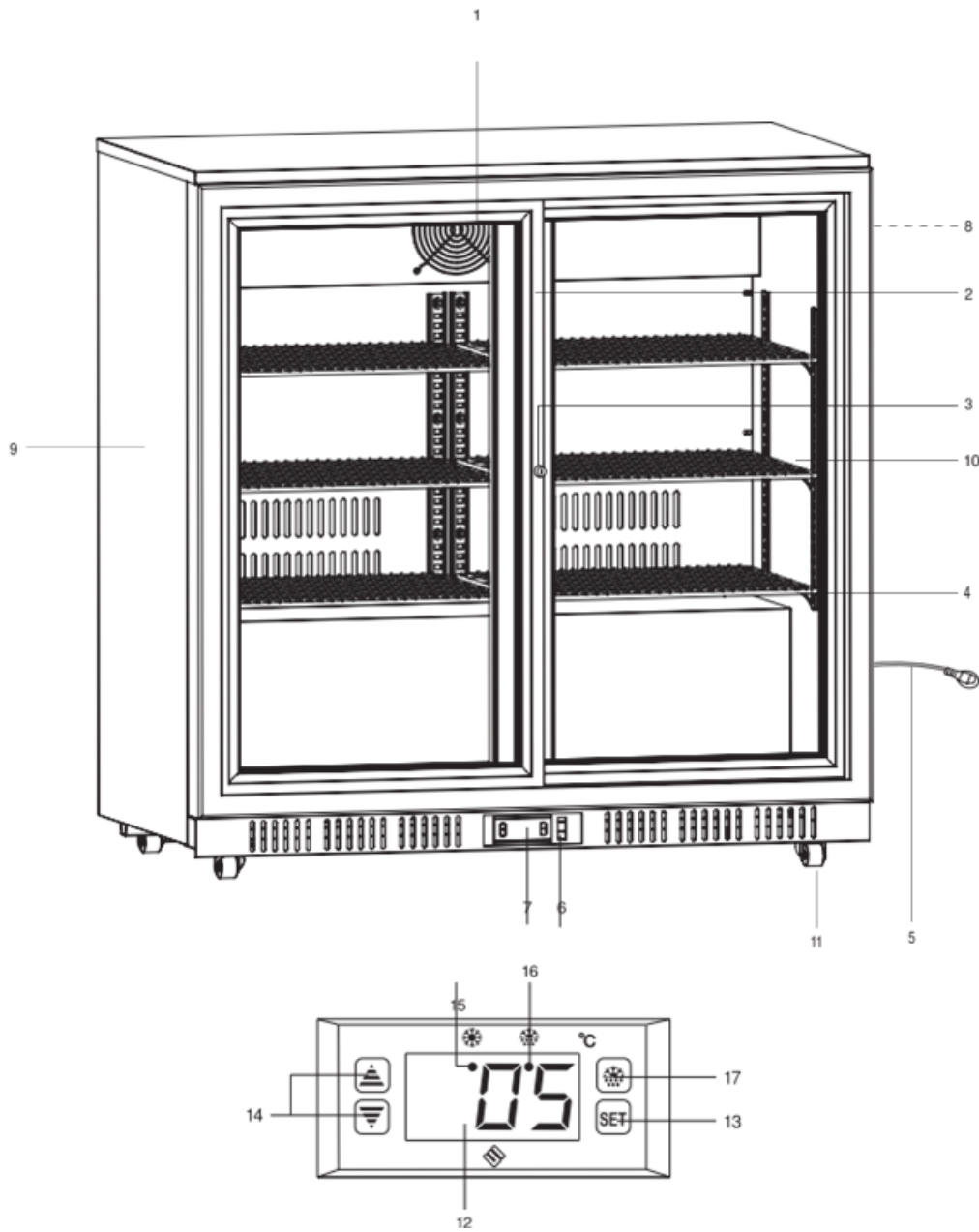


- 1. Ventilationsoffnung mit Rost
- 2. Tür
- 3. Schloss
- 4. Regale
- 5. Netzkabel mit Netzstecker
- 6. Ein-/Ausschalter I/O
- 7. Bedienfeld
- 8. Lampe (LED)
- 9. Gehäuse
- 10. Innenraum
- 11. Rollen



- 12. LED-Anzeige
- 13. Taste SET
- 14.  Tasten
- 15. Kühlanzeige 
- 16. Abtauanzeige 
- 17.  Taste (Hinweis: Das Gerät verfügt über eine automatische Abtaufunktion. Keine manuelle Einstellung erforderlich.)



7527.0020
7527.0045

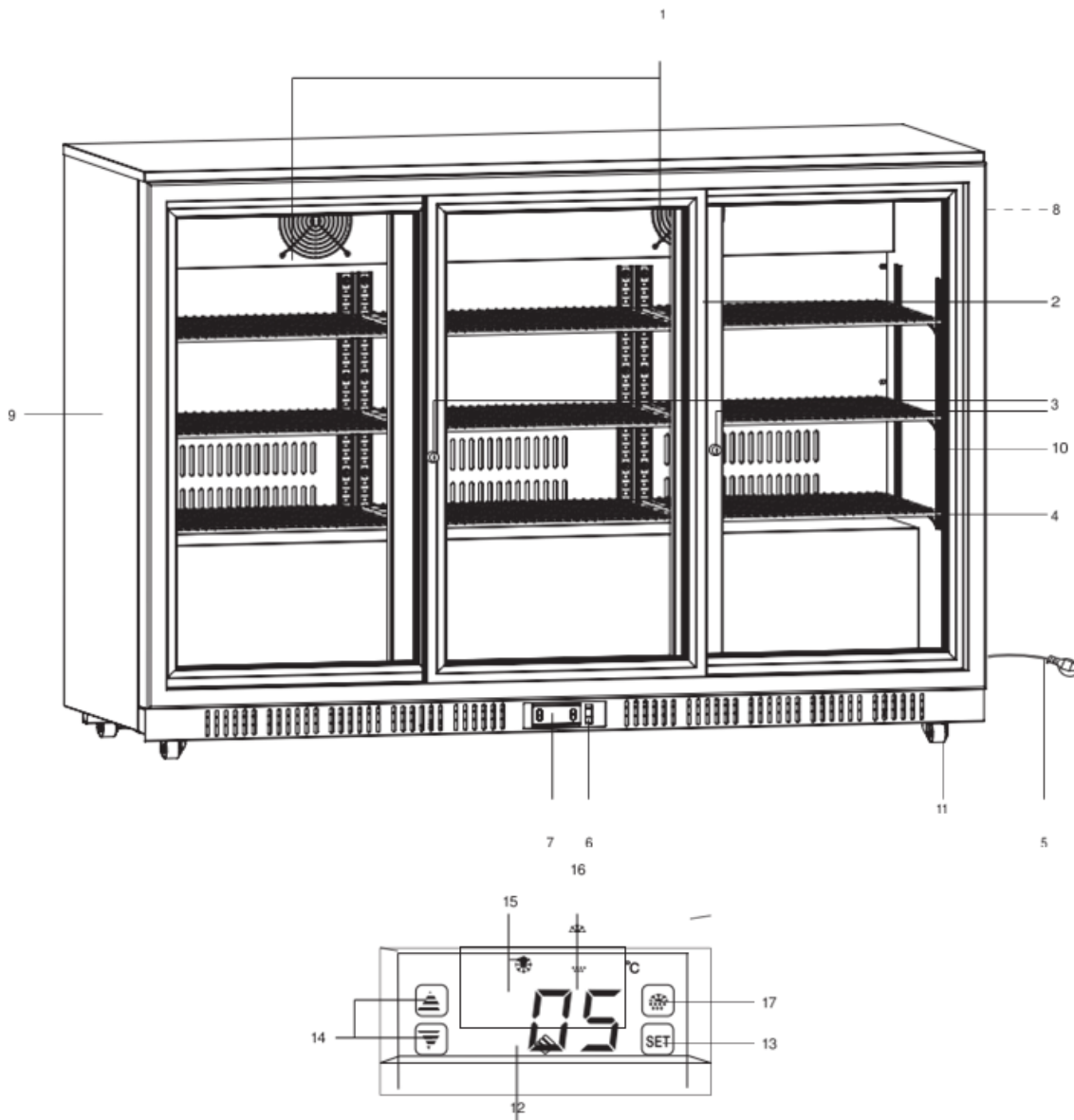


- 1. Ventilationsöffnung mit Rost
- 2. Tür
- 3. Schloss
- 4. Regale
- 5. Netzkabel mit Netzstecker
- 6. Ein-/Ausschalter I/O
- 7. Bedienfeld
- 8. Lampe (LED)
- 9. Gehäuse
- 10. Innenraum
- 11. Rollen




- 12. LED-Anzeige
- 13. Taste SET
- 14.  Tasten
- 15. Kühlanzeige
- 16. Abtauanzeige
- 17.  Taste (Hinweis: Das Gerät verfügt über eine automatische Abtaufunktion. Keine manuelle Einstellung erforderlich.)



7527.0025
7527.0050



- 1. Ventilationsöffnung mit Rost
- 2. Tür
- 3. Schloss
- 4. Regale
- 5. Netzkabel mit Netzstecker
- 6. Ein-/Ausschalter I/O
- 7. Bedienfeld
- 8. Lampe (LED)
- 9. Gehäuse
- 10. Innenraum
- 11. Rollen

- 12. LED-Anzeige
- 13. Taste SET
- 14.   Tasten
- 15. Kühlanzeige
- 16. Abtauanzeige
- 17.  Taste (Hinweis: Das Gerät verfügt über eine automatische Abtaufunktion. Keine manuelle Einstellung erforderlich.)



4. VOR ERSTER INBETRIEBNAHME

- Entfernen Sie alle Verpackungsmaterialien (→ Entsorgung der Verpackung).
- Überprüfen Sie den Lieferumfang auf Vollständigkeit und eventuelle Transportschaden. Sollten Transportschaden vorhanden oder der Lieferumfang unvollständig sein, kontaktieren Sie Ihren Fachhandler (→ Gewährleistung).
- Reinigen Sie das Gerät (→ Reinigung).
- Stellen Sie das Gerät auf eine waagerechte stabile Fläche mit einer maximalen Neigung von 5%.
- Legen Sie heiße Teile des Geräts nicht frei. Versuchen Sie das Gerät nah an der Wand aufzustellen, lassen Sie aber einen Freiraum zwischen der Wand und dem Gerät, um eine gute Belüftung der heißen Teile und so mit einer hohen Effizienz des Geräts zu gewährleisten.
- Das Gerät sollte von leicht entzündbaren Gegenständen ferngehalten werden.
- Vermeiden Sie Standorte mit direkter Sonneneinstrahlung und in der Nähe anderer Heizkörper.
- Schützen Sie das Gerät vor Feuchtigkeit, extremer Hitze oder Kalte.
- Das Gerät ist für die Klimaklasse 4 ausgelegt. Ziehen Sie bitte folgende Tabelle für die Klimaklasse und den entsprechenden Temperaturbereich als Referenz:

Klassifizierung des Testraums	Trockenthermometer-temperatur	Relative Luftfeuchtigkeit
	°C	%
1	16	80
2	22	65
3	25	60
4	30	55
5	40	40

- **Verwenden Sie nie ein Verlängerungskabel - Oberheizungsgefahr!** Wenn das Netzkabel (4) nicht bis zur nächsten Steckdose reicht, wechseln Sie entweder den Standort oder lassen Sie einen qualifizierten Fachmann eine neue Steckdose anbringen.
- Am Geräte Boden sind Rollen (5) angebracht, so dass Sie das Gerät von einem Standort zum anderen schieben können. Zwei der vier Rollen des Geräts verfügen über eine Feststellbremse. **Achtung!** Schieben Sie das Gerät nicht über unebene Flächen und Stufen.
- Warten Sie bei Stromausfall mindestens 5 Minuten bevor Sie das Gerät erneut an das Netz anschließen, um Schaden am Kompressor zu vermeiden.
- Wichtig! Lassen Sie das Gerät 8 Stunden in senkrechter Position stehen, damit sich das Kühlmittel absetzen kann, bevor Sie es zum ersten Mal an die Netzversorgung anschließen.
- Die Maximal last pro Regal (4) beträgt 40 kg.

5. BEDIENUNG

- Verbinden Sie den Netzstecker (5) mit einer geeigneten Steckdose.
- Der Kühlschrank ist eingeschaltet.
- Das Thermostat (digitale Temperaturkontrolle) befindet sich am Boden des Gerätes.
- Nach wenigen Sekunden zeigt die LED-Anzeige (12) die aktuelle Innentemperatur (10) des Geräts. Der Kühlschrank beginnt automatisch auf die gewünschte Temperatur zu kühlen.
- Die voreingestellte Temperatur ab Werk beträgt zwischen 2-8°C. **Justieren Sie diese Temperatur innerhalb der ersten 24 Stunden nicht nach!** Nach 24 Stunden verändern Sie die Temperatur wenn nötig nur stufenweise.



Temperatur einstellen

- Drücken Sie SET (13). Die LED-Anzeige (12) blinkt. Drücken Sie a (14), um die gewünschte Temperatur einzustellen. Drücken Sie erneut SET, um die eingestellte Temperatur zu speichern.
- Die LED-Anzeige zeigt die aktuelle Innentemperatur des Geräts. Der Kühlschrank beginnt automatisch auf die gewünschte Temperatur zu kühlen.

Lampe ein-/ausschalten

- Drücken Sie den Ein-/Ausschalter I/O (6), um die Lampe (8) ein- oder auszuschalten.

Tür abschließen

- Stecken Sie den Schlüssel in das Schloss (3) und drehen Sie ihn um 90° entgegen dem Uhrzeigersinn, um die Tür (2) abzuschließen.
- Bitte vergewissern Sie sich doppelt, dass keine Personen im Inneren des Kühlschranks eingeschlossen sind, bevor Sie die Tür verriegeln.

6. REINIGUNG

- Trennen das Gerät vom Netz und verlagern Sie Lebensmittel vor der Reinigung in einen anderen Kühlschrank.
- Entfernen Sie zum Reinigen alle herausnehmbaren Teile.
- Reinigen Sie den Innenraum (10), Teile und das Gehäuse (9) mit einem trockenen Tuch. Schützen Sie das Bedienfeld (7), das Netzkabel mit Netzstecker (5), die Ventilationsoffnung (1), Lampe (8) und andere elektrische Bauteile vor Feuchtigkeit.
- Verwenden Sie zur Reinigung keinesfalls Lösungs- und Scheuermittel, harte Bürsten, metallische oder scharfe Gegenstände.
- Trocknen Sie sorgfältig alle Oberflächen.
- Reinigen Sie Tür Dichtungen und Versiegelungen mit einem trockenen Tuch. Untersuchen Sie die Tür Dichtung auf Verunreinigungen, um sicher zu stellen, dass die Tür dicht schließt.
- Entfernen und beschädigen Sie nicht das Typenschild. Es beinhaltet wichtige Informationen.

Austausch der Lampe

- Tauschen Sie die Lampe (8) nicht selbst. Kontaktieren Sie dafür einen qualifizierten Fachmann.
- Achtung: Nehmen Sie eine Lampe mit den gleichen technischen Daten.

7. WICHTIGE HINWEIS ZUR ENTSORGUNG

Entsorgung von Altgeräten

- Machen Sie Altgeräte unbrauchbar. Trennen Sie den Netzstecker von der Stromversorgung und schneiden Sie das Kabel durch.
- Machen Sie alle Schlosser unbrauchbar, damit Kinder sich nicht einsperren können. Trennen Sie wenn möglich die Türen ab und entsorgen Sie diese gesondert.
- Achtung! Gefahr durch Chemikalien! Lassen Sie Kinder nicht mit dem Gerät spielen.
- Beschädigen Sie während der Lagerung und dem Transport von Altgeräten keinesfalls den Kalte Kreislauf. Achten Sie darauf, dass die Leitungen des Verdampfers, Leitungen des Kalte Kreislaufs oder Oberflächenbeschichtungen nicht beschädigt werden. Durch herausspritzendes Kühlmittel kann es zu Augenverletzungen kommen.
- Lagern Sie Altgeräte nicht in der Nähe von Wärme- oder Zundquellen. Die Betriebsmittel in diesem Gerät sind leicht entzündlich, sollten diese aus dem Kuhl Kreislauf austreten.
- Achtung: Der Kalte Kreislauf enthält Gase und Kühlmittel die einer Entsorgung durch Fach Person al bedürfen.



Entsorgung der Verpackung

Das gesamte Verpackungsmaterial sollte umweltfreundlich entsorgt werden. Der Karton kann zum Altpapier gebracht werden. Der Schutzfolie sowie die Schaumkissen sind FCKW - frei. Erlauben Sie Kindern nicht, mit der Verpackung zu spielen - entsorgen Sie die Folien umweltgerecht. Sie können Karton in kleinere Stücke zerschneiden und bei den zuständigen Sammelstellen abgeben.



Hinweise zum Umweltschutz

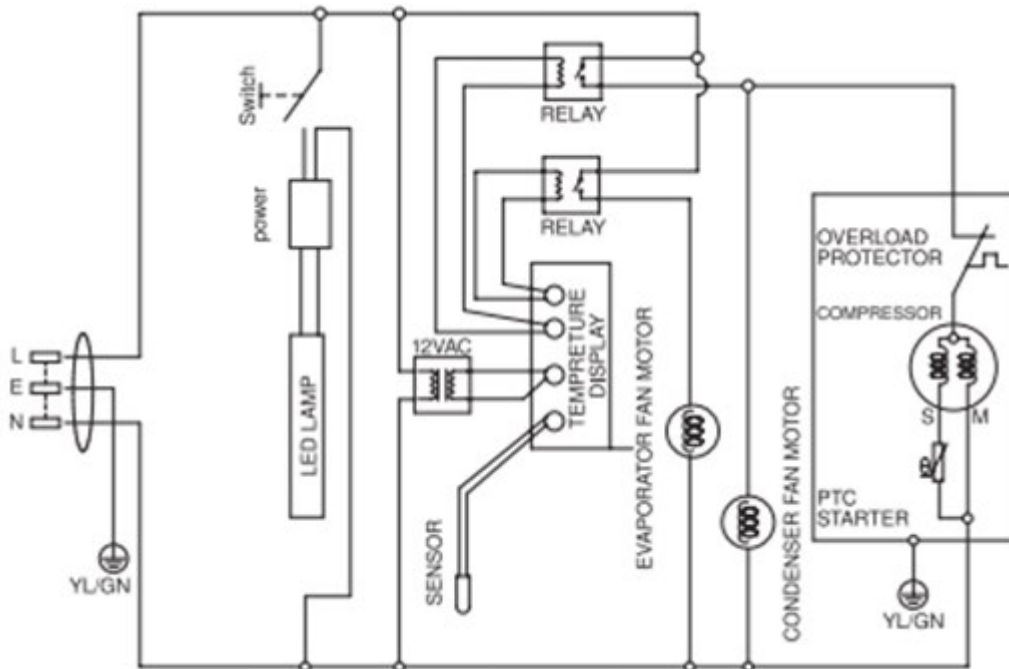
Alt-Elektrogeräte sind Wertstoffe, sie gehören daher nicht in den Hausmüll! Wir möchten Sie daher bitten, uns mit Ihrem aktiven Beitrag bei der Ressourcenschonung und beim Umweltschutz zu unterstützen und dieses Gerät bei den - falls vorhanden - eingerichteten Rücknahmestellen abzugeben.

8. TECHNISCHE DATEN

Model	7527.0005 7527.0030	7527.0010 7527.0035	7527.0015 7527.0040	7527.0020 7527.0045	7527.0025 7527.0050
Type of door	Hinged doors			Sliding doors	
Rated Voltage	220 - 240 V~				
Rated Frequency	50 Hz				
Climate Class	4				
Protection Class	I				
Temperature	0 to +8°C				
Foam Blowing Agent	C-pentane				
Rated Current	1.25 A	1.66 A	1.66 A	1.66 A	1.76 A
Energy Consumption	2.18 kWh/24h	2.60 kWh/24h	3.78 kWh/24h	3.78 kWh/24h	4.76 kWh/24h
Refrigerant	R600a (35 g)	R600a (62 g)	R600a (85 g)	R600a (64 g)	R600a (90 g)
Light	7 W	7 W	9 W	7 W	9 W
Net Volume	128 L	200 L	312 L	200 L	312 L
Net/Gross Weight	48/58 kg	62/72 kg	86/96 kg	65/75 kg	86/96 kg
Dimension (W x H x D)	600x925x540mm	900x925x540mm	1350x925x540mm	900x925x540mm	1350x925x540mm
Noise Level	60 dB(A)	67 dB(A)	67 dB(A)	56 dB(A)	56 dB(A)



8.1 SCHALTPLAN



9. GEWÄHRLEISTUNG

Für dieses Produkt gilt die gesetzliche Gewährleistung. Reklamationen sind unmittelbar nach Feststellung zu melden.

Der Gewährleistungsanspruch erlischt bei Eingriffen durch den Käufer oder durch Dritte. Schaden, die durch unsachgemäße Behandlung Oder Bedienung, durch falsches Aufstellen oder Aufbewahren, durch unsachgemäßen Anschluss oder Installation sowie durch höhere Gewalt oder sonstige äußere Einflüsse entstehen, fallen nicht unter die Gewährleistung. Wir empfehlen, die Bedienungsanleitung aufmerksam zu lesen, da dort wichtige Hinweise enthalten sind. Der Gewährleistungsanspruch ist vom Käufer durch Vorlage der Kaufquittung nachzuweisen.

Hinweise:

1. Sollte Ihr Produkt nicht mehr richtig funktionieren, so prüfen Sie bitte vorerst, ob andere Gründe, wie zB. unterbrochene Stromversorgung oder falsche Handhabung, die Ursache sind.
2. Beachten Sie bitte, dass Sie Ihrem defekten Produkt in jedem Fall folgende Unterlagen beifügen bzw bereit halten:
 - Kaufquittung
 - Geräte Bezeichnung / Type / Marke
 - Beschreibung des aufgetretenen Mangels mit möglichst genauer Fehlerangabe.

Bei Gewährleistungsanspruch oder Störungen wenden Sie sich bitte persönlich an Ihr Verkaufshaus.




1. INSTRUCTIONS DE SECURITE IMPORTANTES

Lisez attentivement ce mode d'emploi avant d'utiliser l'appareil. Respectez toutes les consignes de sécurité, afin d'éviter tout dommage dû à une utilisation incorrecte.

1. Conservez ce manuel d'instructions pour une utilisation ultérieure. En cas de transmission de l'appareil à un tiers, ce manuel d'instructions doit être remis.
2. Cet appareil est lourd. Pour éviter de le blesser ou de l'endommager, déballez-le et installez-le à deux.
3. N'utilisez jamais un appareil endommagé ! Débranchez l'appareil de la prise de courant et contactez votre fournisseur s'il est endommagé.
4. Connectez et installez cet appareil en respectant scrupuleusement les instructions pertinentes de ce manuel.
5. N'utilisez l'appareil que pour l'usage auquel il est destiné. L'appareil est destiné à un usage commercial.
6. Aucune responsabilité n'est acceptée pour les dommages résultant d'une utilisation inappropriée ou du non-respect des instructions.
7. Utilisez l'appareil uniquement à l'intérieur.
8. **Risque d'électrocution !** N'essayez jamais de réparer l'appareil vous-même. Pour l'entretien et les réparations, adressez-vous à un service après-vente qualifié.
9. Vérifiez régulièrement que la prise et le cordon d'alimentation ne sont pas endommagés. Un cordon d'alimentation endommagé doit être remplacé par le fabricant, son service clientèle ou une personne qualifiée similaire afin d'éviter tout risque de blessure.
10. Avant d'insérer la prise d'alimentation dans la prise de courant, vérifiez que la tension et l'intensité de l'alimentation correspondent aux détails de l'alimentation indiqués sur la plaque signalétique de l'appareil.
11. Évitez d'endommager le cordon d'alimentation. Ne pas serrer, plier ou frotter sur les bords tranchants. Tenir à l'écart des surfaces chaudes et des flammes nues.
12. Veuillez connecter le fil de terre à la borne d'équipotentialité par un technicien qualifié.
13. Pour votre sécurité, ne branchez l'appareil que sur une prise secteur correctement mise à la terre. Débranchez immédiatement l'appareil si vous recevez un choc électrique en touchant l'appareil.
14. Ne tirez pas sur le cordon d'alimentation. Tirez uniquement sur la prise. N'enroulez pas le cordon d'alimentation autour de l'appareil.
15. Cet appareil doit être mis à la terre !
16. Placez le cordon d'alimentation de manière sûre, afin qu'il ne puisse pas être tiré ou trébucher par inadvertance.
17. Branchez la prise d'alimentation sur une prise de courant facile à atteindre afin de pouvoir débrancher immédiatement l'appareil en cas d'urgence.
18. N'utilisez jamais d'accessoires qui ne sont pas recommandés par le fabricant. Ils pourraient présenter un danger pour l'utilisateur et endommager l'appareil. N'utilisez que des accessoires d'origine.
19. L'appareil est sous tension lorsqu'il est connecté à l'alimentation électrique.
20. Attention ! N'insérez aucun objet dans le boîtier de l'appareil.
21. N'ouvrez pas le boîtier.
22. N'obstruez pas et ne couvrez pas les ouvertures de ventilation. Maintenez l'appareil bien ventilé à tout moment.
23. Si le couvercle de la grille d'éclairage ou de ventilation se détache ou se brise, débranchez immédiatement l'appareil et contactez un personnel qualifié pour le faire réparer.
24. Cet appareil n'est pas destiné à être utilisé par des personnes (y compris les enfants) dont les capacités physiques, sensorielles ou mentales sont réduites, ou qui manquent d'expérience et de connaissances, à moins qu'elles n'aient reçu une surveillance ou des instructions concernant l'utilisation de l'appareil par une personne responsable de leur sécurité.
25. Les enfants doivent être surveillés pour s'assurer qu'ils ne jouent pas avec l'appareil.
26. Ne gardez pas la clé de la serrure de l'appareil à proximité ou à portée des enfants.
27. Ne touchez pas l'appareil avec des mains mouillées ou humides. Ne faites pas fonctionner l'appareil avec les mains mouillées ou debout sur un sol mouillé.



28. **Avertissement** ! Pendant le nettoyage ou le fonctionnement, ne plongez pas l'appareil dans l'eau ou dans d'autres liquides. Ne nettoyez pas l'appareil avec un tuyau d'arrosage.
29. Si de l'eau s'écoule dans l'appareil, débranchez immédiatement l'appareil et faites-le inspecter par un personnel qualifié avant de l'utiliser à nouveau.
30. Débranchez l'appareil de la prise de courant lorsqu'il n'est pas utilisé et avant de le nettoyer.
31. Ne placez pas d'articles combustibles, explosifs ou volatils, d'acides corrosifs ou d'alcalins dans l'appareil. Conservez les alcools forts uniquement en position verticale et fermez-les correctement. Les récipients contenant des gaz et des liquides inflammables peuvent fuir à basse température et s'enflammer sous l'effet des étincelles des appareils électriques. Risque d'explosion !
32. Assurez-vous qu'aucune substance chimique ne pénètre à l'intérieur de l'appareil.
33. **Avertissement** ! Ce produit est destiné au stockage des aliments dans des récipients. Ne placez pas d'aliments à l'intérieur sans qu'ils soient dans un récipient.
34. Une fuite d'huile peut endommager les joints en caoutchouc de l'appareil. Assurez-vous que les produits contenant de l'huile sont correctement emballés et ne peuvent pas fuir.
35. Maintenez l'appareil à l'écart de toute surface chaude et de toute flamme nue.
36. Faites toujours fonctionner l'appareil sur une surface plane, stable, propre, résistante à la chaleur et sèche.
37. N'utilisez pas l'appareil à proximité de vapeurs explosives et inflammables.
38. La spécification de distance minimale par rapport au barrage routier environnant est de 1 mètre.
39. N'endommagez pas les parties de l'appareil qui transportent du réfrigérant en les perçant, perforant, écrasant, tordant ou grattant.
40. Danger d'incendie ! En cas de fuite de réfrigérant, débranchez l'appareil, éliminez toute source d'inflammation à proximité, ventilez la pièce et contactez votre fournisseur. Évitez tout contact avec les yeux car le fluide frigorigène peut provoquer de graves lésions oculaires. Vous trouverez des détails sur le fluide frigorigène sur l'étiquette signalétique.
41. En cas d'incendie, débranchez l'appareil de la prise de courant ou de l'alimentation électrique.
42. **Avertissement** ! Ne renversez pas d'eau sur l'appareil lorsqu'il est branché à l'alimentation électrique. Risque d'électrocution !
43. N'accélérez pas le processus de dégivrage en utilisant des dispositifs mécaniques, des sources de chaleur (bougies ou appareils de chauffage) ou d'autres moyens. La vapeur qui se dégage peut provoquer un court-circuit et des températures trop élevées peuvent endommager le revêtement synthétique de l'appareil.
44. N'utilisez pas d'appareils électriques dans le compartiment intérieur.
45. Prenez des mesures de protection pour éviter tout contact prolongé de la peau avec les surfaces froides du compartiment intérieur ou avec des produits réfrigérés, par exemple en portant des gants.
46. Ne mettez jamais d'aliments tièdes ou chauds directement dans l'appareil.
47. Couvrez les aliments pour éviter les odeurs et pour qu'ils restent frais. Ne consommez pas de produits stockés depuis trop longtemps pour éviter les intoxications alimentaires.
48. Attention : Risque d'incendie 
49. Avertissement - ne pas obstruer toutes les ouvertures de ventilation dans le boîtier de l'appareil ou dans la structure d'encastrement.
50. Avertissement - n'utilisez pas de dispositifs mécaniques ou d'autres moyens pour accélérer le processus de dégivrage, autres que ceux recommandés par le fabricant.
51. Avertissement - ne pas endommager le circuit frigorifique.
52. Avertissement - n'utilisez pas d'appareils électriques à l'intérieur des compartiments de stockage des aliments de l'appareil, sauf s'ils sont du type recommandé par le fabricant.

2. UTILISATION PREVUE

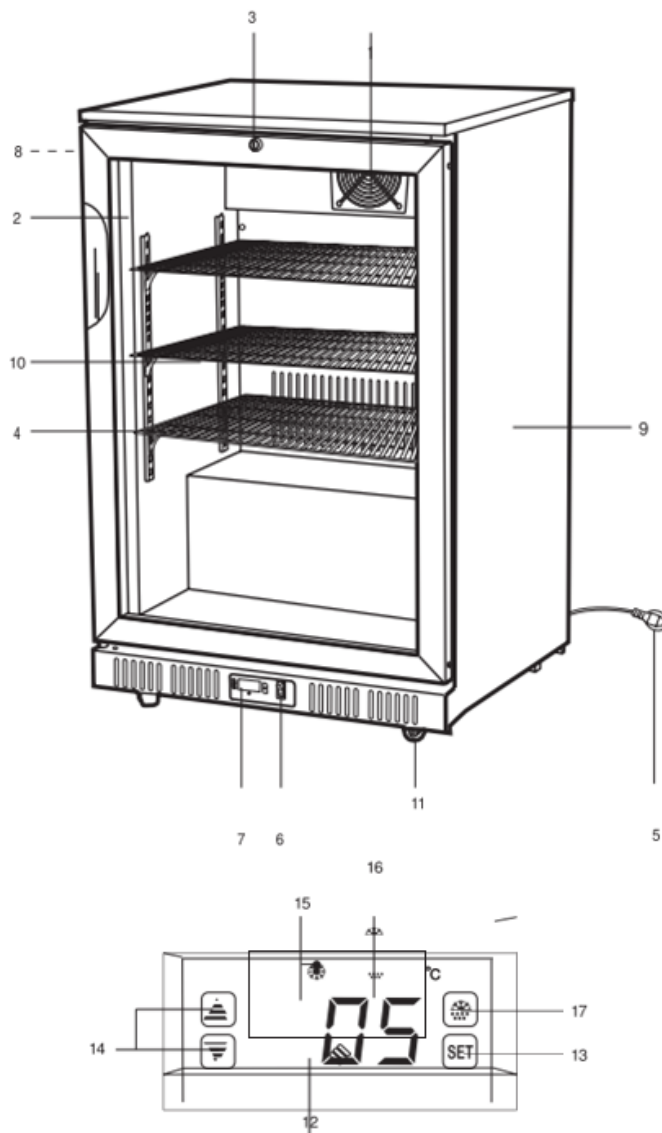
N'utilisez cet appareil que pour la réfrigération et la conservation d'aliments et de boissons à des fins commerciales.





3. PARTS

7527.0005

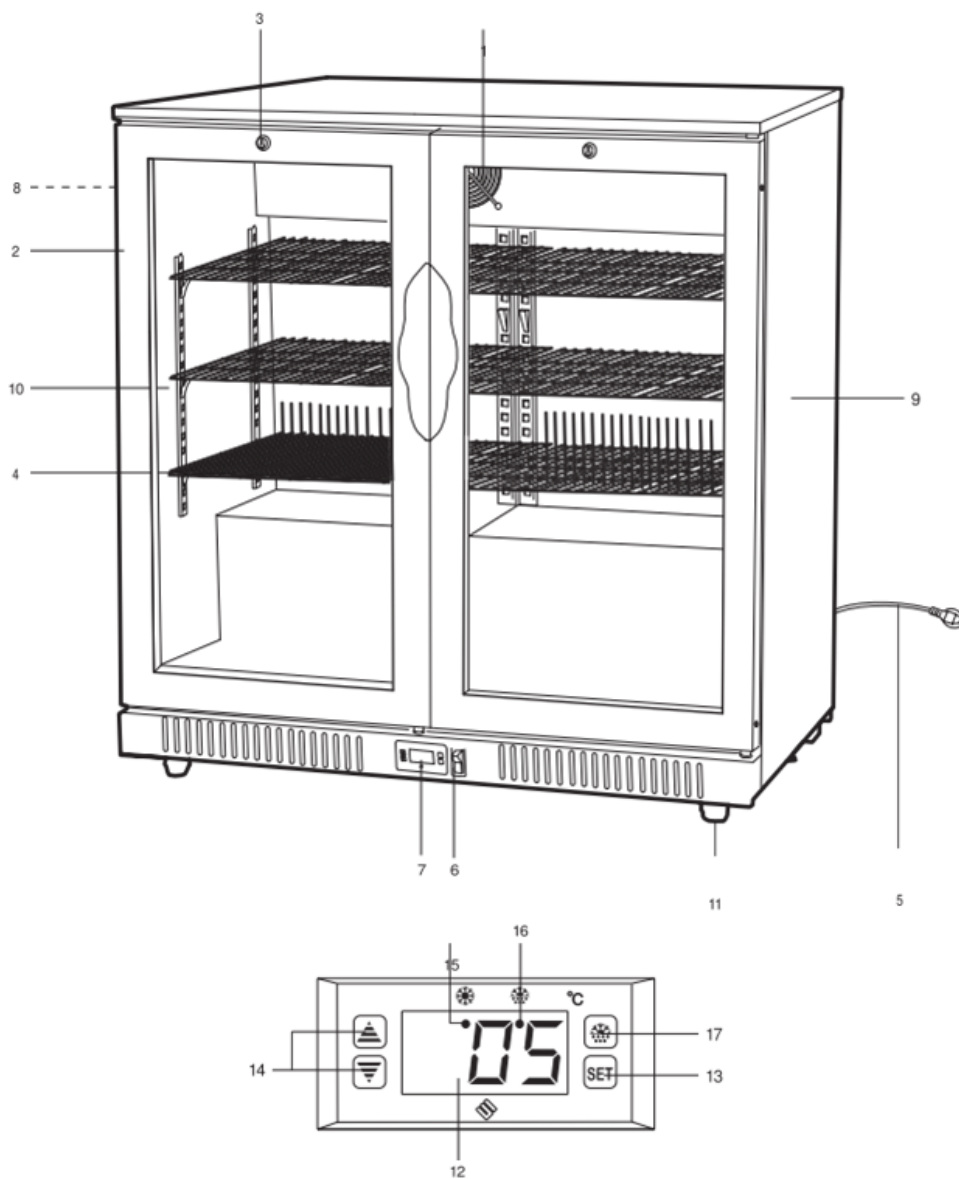
7527.0030





- | | |
|--|--|
| 1. Ouverture de ventilation avec grille | 12. Affichage LED |
| 2. Porte | 13. Bouton de réglage |
| 3. Serrure | 14. Boutons  |
| 4. Étagères | 15. Indicateur de refroidissement |
| 5. Cordon d'alimentation avec prise de courant | 16. Indicateur de dégivrage |
| 6. Interrupteur ON/OFF I/O | 17. Bouton  (Remarque : l'appareil est doté d'une fonction de dégivrage automatique. Il n'est pas nécessaire de la régler manuellement). |
| 7. Panneau de commande avec couvercle | |
| 8. Lampe (LED) | |
| 9. Boîtier | |
| 10. Compartiment intérieur | |
| 11. Roulettes | |



7527.0010
7527.0035

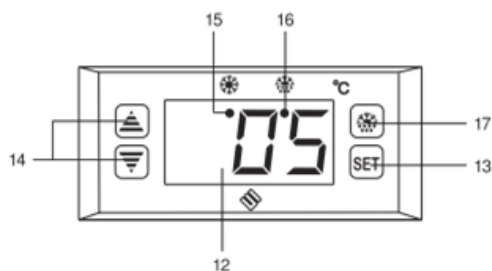
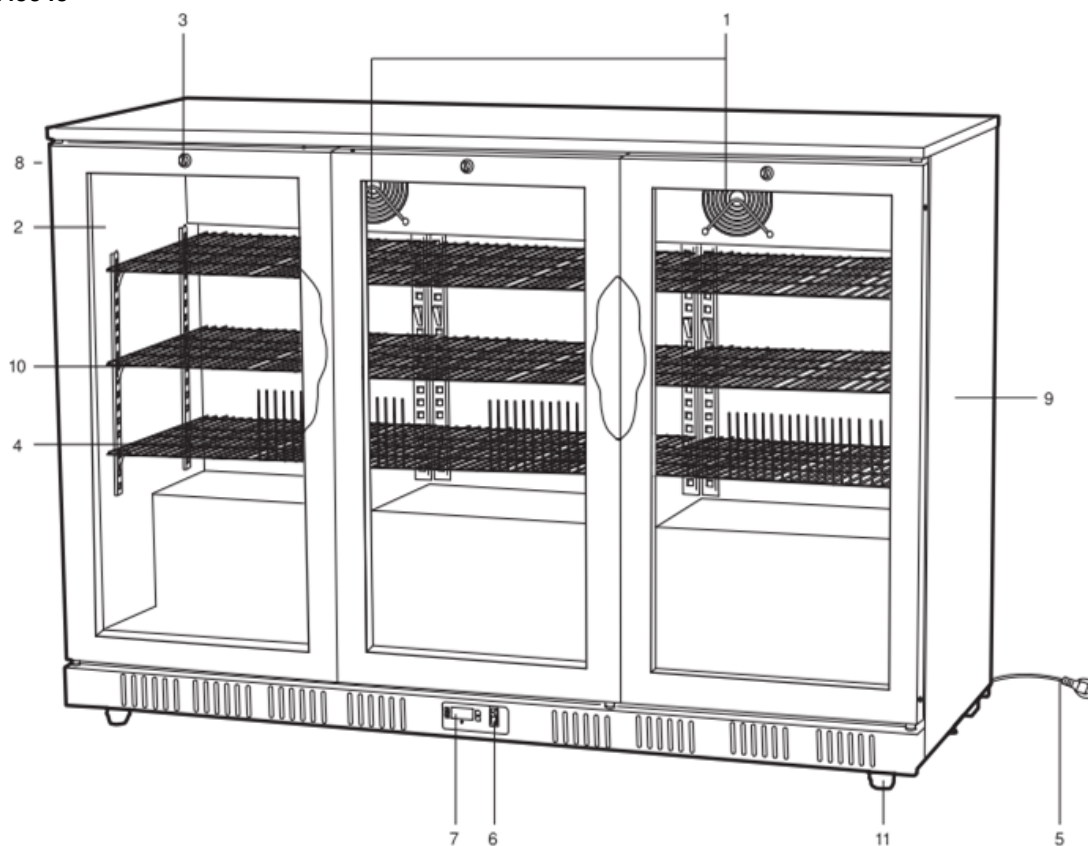




1. Ouverture de ventilation avec grille
2. Porte
3. Serrure
4. Étagères
5. Cordon d'alimentation avec prise de courant
6. Interrupteur ON/OFF I/O
7. Panneau de commande avec couvercle
8. Lampe (LED)
9. Boîtier
10. Compartiment intérieur
11. Roulettes

12. Affichage LED
13. Bouton de réglage
14. Boutons 
15. Indicateur de refroidissement
16. Indicateur de dégivrage
17. Bouton  (Remarque : l'appareil est doté d'une fonction de dégivrage automatique. Il n'est pas nécessaire de la régler manuellement).



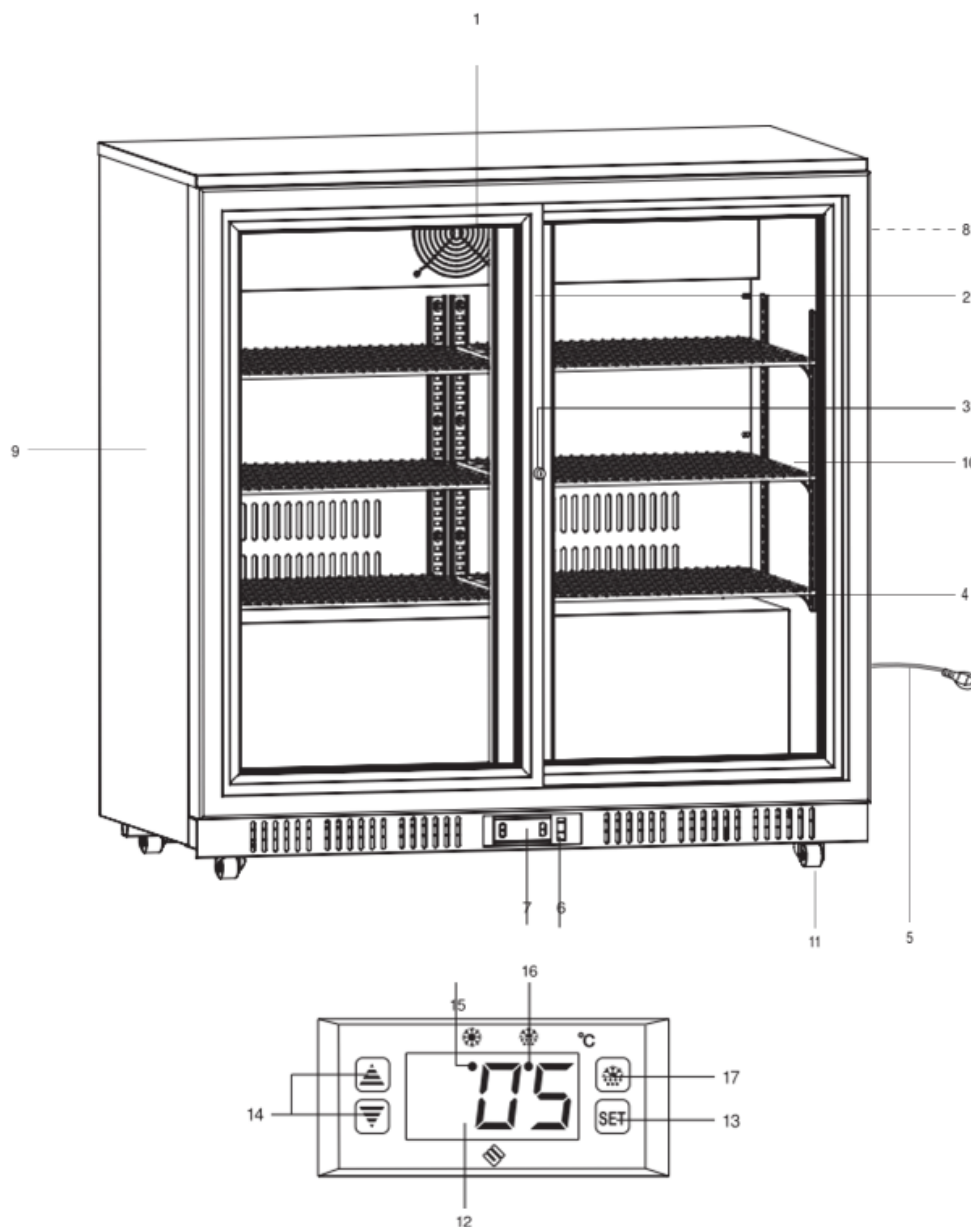
7527.0015
7527.0040





- | | |
|--|---|
| 1. Ouverture de ventilation avec grille | 12. Affichage LED |
| 2. Porte | 13. Bouton de réglage |
| 3. Serrure | 14. Boutons  |
| 4. Étagères | 15. Indicateur de refroidissement |
| 5. Cordon d'alimentation avec prise de courant | 16. Indicateur de dégivrage |
| 6. Interrupteur ON/OFF I/O | 17. Bouton  (Remarque : l'appareil est doté d'une fonction de dégivrage automatique. Il n'est pas nécessaire de la régler manuellement). |
| 7. Panneau de commande avec couvercle | |
| 8. Lampe (LED) | |
| 9. Boîtier | |
| 10. Compartiment intérieur | |
| 11. Roulettes | |



7527.0020
7527.0045

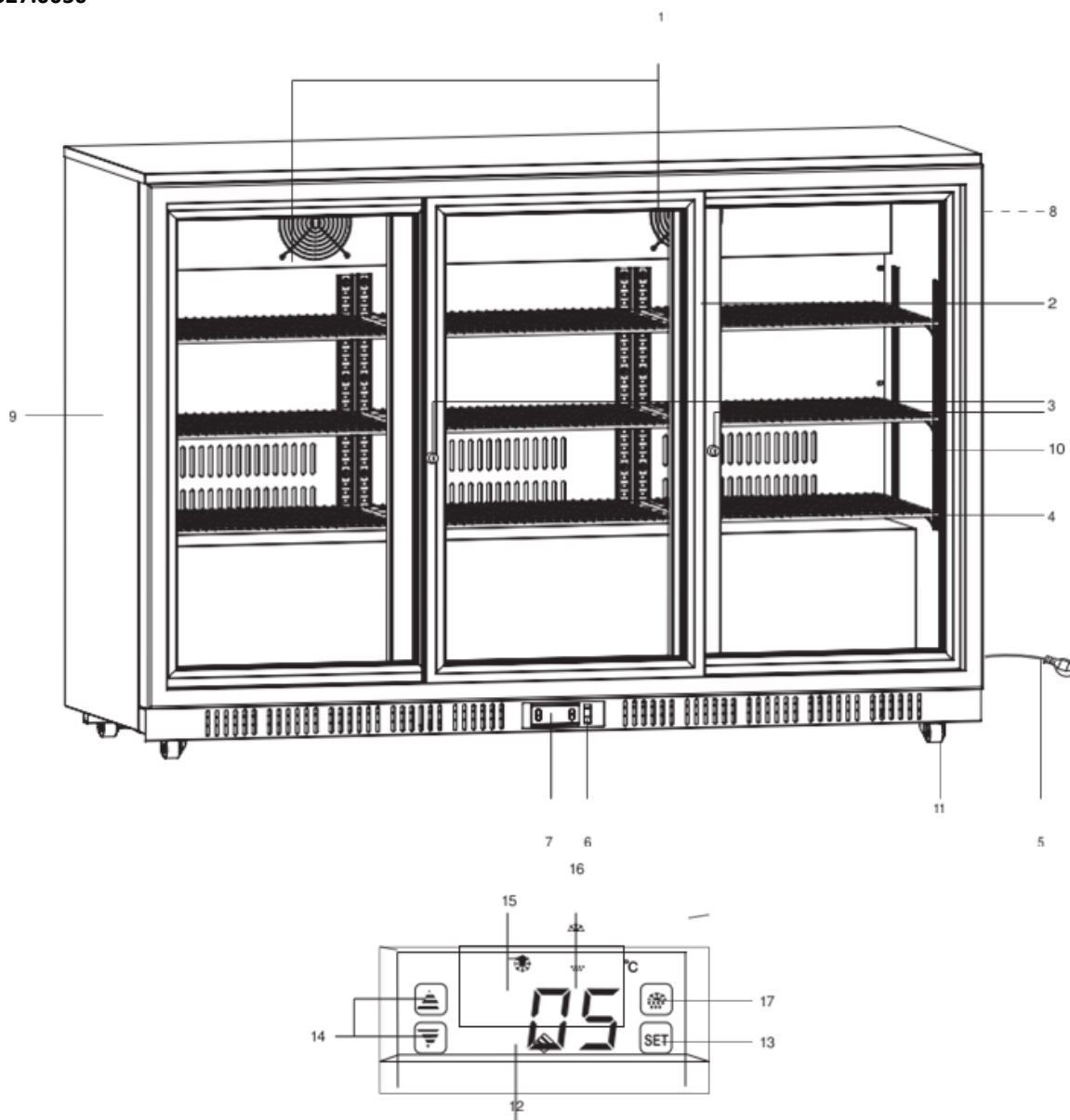


1. Ouverture de ventilation avec grille
2. Porte
3. Serrure
4. Étagères
5. Cordon d'alimentation avec prise de courant
6. Interrupteur ON/OFF I/O
7. Panneau de commande avec couvercle
8. Lampe (LED)
9. Boîtier
10. Compartiment intérieur
11. Roulettes



12. Affichage LED
13. Bouton de réglage
14. Boutons 
15. Indicateur de refroidissement
16. Indicateur de dégivrage
17. Bouton  (Remarque : l'appareil est doté d'une fonction de dégivrage automatique. Il n'est pas nécessaire de la régler manuellement).



7527.0025
7527.0050



1. Ouverture de ventilation avec grille
2. Porte
3. Serrure
4. Étagères
5. Cordon d'alimentation avec prise de courant
6. Interrupteur ON/OFF I/O
7. Panneau de commande avec couvercle
8. Lampe (LED)
9. Boîtier
10. Compartiment intérieur
11. Roulettes

12. Affichage LED
13. Bouton de réglage
14. Boutons 
15. Indicateur de refroidissement
16. Indicateur de dégivrage
17. Bouton  (Remarque : l'appareil est doté d'une fonction de dégivrage automatique. Il n'est pas nécessaire de la régler manuellement)



4. AVANT LA PREMIÈRE UTILISATION

- Retirez tous les emballages (→ Mise au rebut des emballages).
- Vérifiez que la livraison est complète et qu'il n'y a pas de dommages dus au transport. En cas de dommages ou de livraison incomplète, veuillez contacter votre revendeur. (→ Garantie).
- Nettoyez l'appareil (→ Nettoyage).
- Placez l'appareil sur une surface horizontale et stable avec une inclinaison maximale de 5%.
- N'exposez pas les parties qui chauffent. Essayez de placer l'appareil près d'un mur, mais laissez suffisamment d'espace pour la ventilation afin d'assurer une bonne circulation et une bonne efficacité de l'appareil.
- Maintenez l'appareil à l'écart de toute substance susceptible de s'enflammer.
- Ne placez pas l'appareil en plein soleil ou près d'une source de chaleur.
- Protégez l'appareil de l'humidité, de la chaleur ou du froid extrême.
- Classe climatique de l'appareil : 4. Veuillez consulter la classe climatique et la plage de température correspondante à titre de référence.

Classe climatique de la salle d'essai	Température de bulbe sec	Humidité relative
	°C	%
1	16	80
2	22	65
3	25	60
4	30	55
5	40	40


- **Ne jamais utiliser de rallonge - risque de surchauffe !** Si le cordon d'alimentation (5) n'atteint pas la prise de courant la plus proche, modifiez la disposition de votre magasin ou demandez à un personnel qualifié d'installer une nouvelle prise.
- L'appareil est équipé de roulettes (11), ce qui vous permet de le déplacer facilement d'un endroit à l'autre. Deux des quatre roulettes sont équipées de freins. **Avvertissement !** Ne déplacez pas l'appareil sur un sol irrégulier ou sur des marches.
- En cas de coupure de courant, attendez au moins 5 minutes avant de rebrancher l'appareil pour éviter d'endommager le compresseur.
- **Important !** Laissez l'appareil reposer en position verticale pendant 8 heures avant de le brancher pour la première fois sur une prise de courant, afin de permettre au réfrigérant de se déposer.
- La charge maximale d'une étagère (4) est de 30 kg.

5. FONCTIONNEMENT

- Branchez la prise d'alimentation (5) sur la prise secteur.
- La vitrine commence à fonctionner.
- Le thermostat (régulateur de température numérique) est situé au bas de l'appareil.
- Après quelques secondes, l'écran LED (12) indique la température réelle du compartiment intérieur (10). Le témoin de refroidissement (15) s'allume. La vitrine commence automatiquement à refroidir jusqu'à la température pré réglée.
- Une fois que la température du compartiment intérieur a atteint la valeur pré réglée, l'indicateur de refroidissement (15) s'éteint tant que la température du compartiment intérieur reste constante.
- La température pré réglée en usine est comprise entre 2 et 8°C. **Ne l'ajustez pas au cours des 24 premières heures !** Après 24 heures, ajustez la température par étapes progressives, si nécessaire."



Réglage de la température

- Appuyez sur SET (13), l'affichage LED (12) clignote. Sélectionnez la température souhaitée en appuyant sur les boutons  (14) et appuyez à nouveau sur SET pour enregistrer les réglages.
- L'affichage LED indique la température réelle du compartiment intérieur. Le témoin de refroidissement (15) s'allume. La vitrine commence à refroidir jusqu'à la valeur pré-réglée.

Dégivrage

- L'appareil est doté d'une fonction de dégivrage automatique. Le dégivrage démarre automatiquement toutes les 6 heures et dure 20 minutes (réglage d'usine).
- **Ne modifiez pas les réglages d'usine !** Ils déterminent le fonctionnement de votre appareil. La modification de ces réglages entraîne l'annulation de votre garantie. Contactez notre service après-vente si vous avez des questions.

Allumer/éteindre les lampes

- Appuyez sur l'interrupteur ON/OFF I/O (6) pour allumer/éteindre la lampe intérieure (8).

Verrouillage de la porte

- Veuillez vérifier et confirmer qu'il n'y a personne à l'intérieur de l'appareil avant de verrouiller la porte (2).
- Pour verrouiller : insérez la clé dans la serrure (3), et appuyez puis tournez de 180° dans le sens des aiguilles d'une montre et retirez la clé.
OU Pour verrouiller : insérer la clé dans la serrure (3) et tourner de 90° dans le sens des aiguilles d'une montre pour verrouiller la porte.

6. NETTOYAGE

- Débranchez votre appareil et retirez les produits dans une vitrine de secours appropriée avant de le nettoyer.
- Retirez toutes les pièces amovibles avant le nettoyage.
- Nettoyez le compartiment intérieur (10), les pièces d'équipement et le boîtier (9) avec un chiffon sec. Ne laissez pas le panneau de commande (7), le cordon d'alimentation avec la prise (5), l'ouverture de ventilation (1), la lampe (8) ou d'autres composants électriques devenir humides.
- N'utilisez jamais de détergents corrosifs, de brosses métalliques ou d'éponges abrasives pour nettoyer votre appareil.
- N'utilisez jamais d'outils métalliques ou tranchants pour enlever les débris.
- Séchez soigneusement toutes les surfaces.
- Utilisez un chiffon sec pour nettoyer les joints d'étanchéité. Vérifiez qu'ils ne contiennent pas de débris pour vous assurer que la porte se ferme toujours correctement.
- Ne retirez pas et n'endommagez pas l'étiquette d'identification car elle contient des données importantes.

Remplacer la lampe

- Veuillez ne pas remplacer la lampe (8) vous-même. Contactez du personnel qualifié à cet effet.
- Remarque : les spécifications de la lampe de remplacement doivent être les mêmes que celles de la lampe d'origine.



7. INSTRUCTIONS DE MISE AU REBUT

Mise au rebut des vieux appareils

- Désactivez les appareils mis au rebut en retirant la prise et en coupant le cordon d'alimentation.
- Faites sauter les serrures afin d'éviter que les enfants et d'autres personnes ne se retrouvent coincés. Si possible, retirez les portes et jetez-les séparément.
- Avertissement - produits chimiques dangereux ! Ne laissez pas les enfants jouer avec l'ancien appareil.
- N'endommagez pas le circuit frigorifique pendant le stockage et le transport des anciens appareils ! Veillez à ce que les tuyaux de l'évaporateur, le circuit frigorifique et les revêtements de surface ne soient pas endommagés. Évitez tout contact avec les yeux car le fluide frigorigène peut provoquer de graves lésions oculaires.
- Ne stockez pas les vieux appareils à proximité de sources de chaleur et d'inflammation. En cas de fuite, le fluide frigorigène de cet appareil est hautement inflammable.
- Attention : le système de réfrigération contient des gaz et des fluides frigorigènes qui nécessitent une élimination spécialisée des déchets.

Mise au rebut des emballages



Tous les matériaux d'emballage doivent être éliminés dans le respect de l'environnement.

Le carton peut être utilisé comme papier de rebut. La feuille de protection et les coussins en mousse sont exempts de CFC. Ne laissez pas les enfants jouer avec les emballages et détruisez les sacs en plastique en toute sécurité. Vous pouvez casser ou couper le carton en petits morceaux et le donner à un service d'élimination des vieux papiers.



Protection environnementale

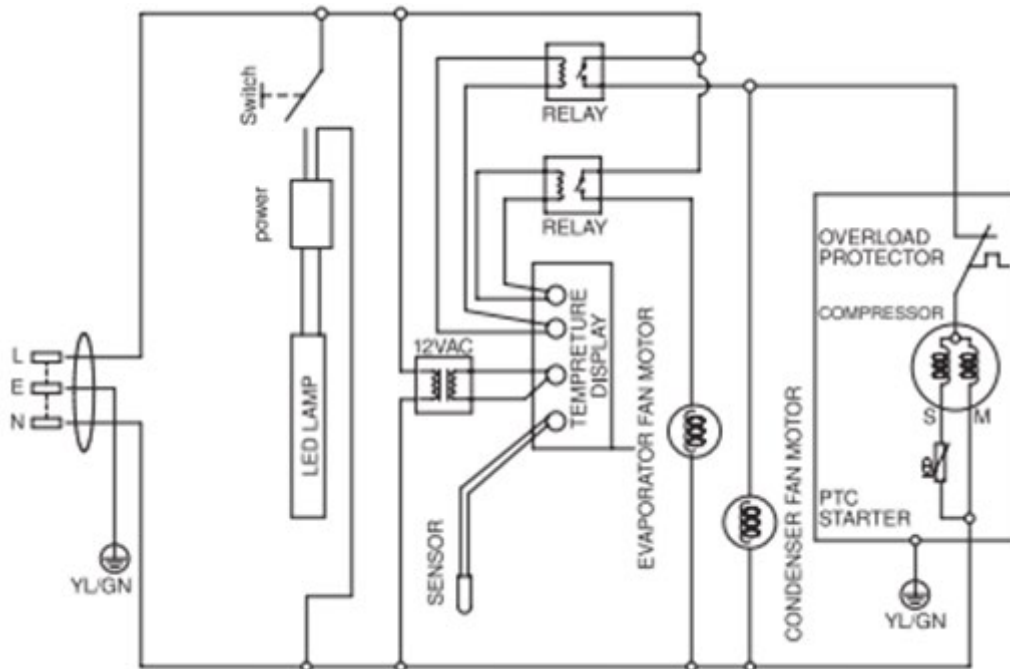
Les appareils électriques mis au rebut sont recyclables et ne doivent pas être jetés avec les ordures ménagères ! Veuillez nous aider activement à préserver les ressources et à protéger l'environnement en rapportant cet appareil aux centres de collecte.

8. DONNÉES TECHNIQUES

Modèle	7527.0005 7527.0030	7527.0010 7527.0035	7527.0015 7527.0040	7527.0020 7527.0045	7527.0025 7527.0050
Type de porte	Portes à charnières			Portes coulissantes	
Tension nominale	220 - 240 V~				
Fréquence nominale	50 Hz				
Classe climatique	4				
Classe de protection	I				
Température	0 à +8°C				
Agent gonflant de la mousse	C-pentane				
Courant nominal	1.25 A	1.66 A	1.66 A	1.66 A	1.76 A
Énergie	2.18 kWh/24h	2.60 kWh/24h	3.78 kWh/24h	3.78 kWh/24h	4.76 kWh/24h
Consommation d'énergie	R600a (35 g)	R600a (62 g)	R600a (85 g)	R600a (64 g)	R600a (90 g)
Réfrigérant	7 W	7 W	9 W	7 W	9 W
Lumière	128 L	200 L	312 L	200 L	312 L
Volume net	48/58 kg	62/72 kg	86/96 kg	65/75 kg	86/96 kg
Dimension (L x H x P)	600x925x540mm	900x925x540mm	1350x925x540mm	900x925x540mm	1350x925x540mm
Niveau de bruit	60 dB(A)	67 dB(A)	67 dB(A)	56 dB(A)	56 dB(A)



8.1 SCHEMA ELECTRIQUE



9. GARANTIE

Une garantie légale s'applique à ce produit.

Les dommages causés par un traitement ou un fonctionnement incorrect, par un placement ou un stockage erroné, par un raccordement ou une installation incorrects, ainsi que par la force ou d'autres influences extérieures ne sont pas couverts par cette garantie. Nous vous recommandons de lire attentivement le mode d'emploi car il contient des informations importantes.

Remarque :

1. Si ce produit ne fonctionne pas correctement, veuillez tout d'abord vérifier s'il n'y a pas d'autres raisons, par exemple une interruption de l'alimentation électrique pour les appareils électriques ou une manipulation généralement incorrecte.
2. Veuillez noter que, dans la mesure du possible, les documents suivants ou plutôt des informations doivent être fournis avec votre produit défectueux :
 - Ticket de caisse
 - Description du modèle/Type/Marque
 - Décrivez le défaut et le problème de la manière la plus détaillée possible.

En cas de demande de garantie ou de défaut, veuillez contacter le vendeur.