



# Spare part information

**7280.0100**



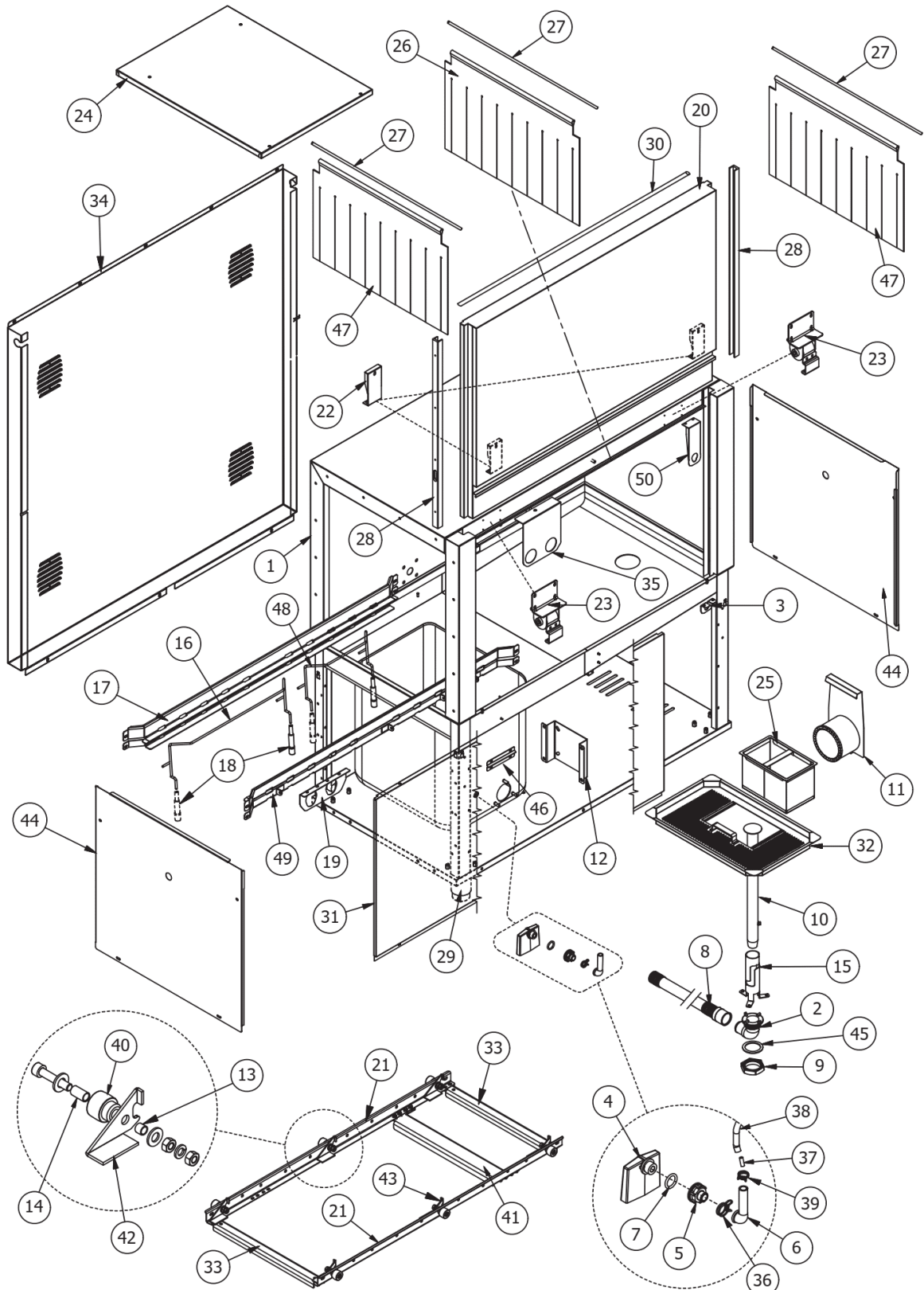
**CombiSteel**

**7280.0100**

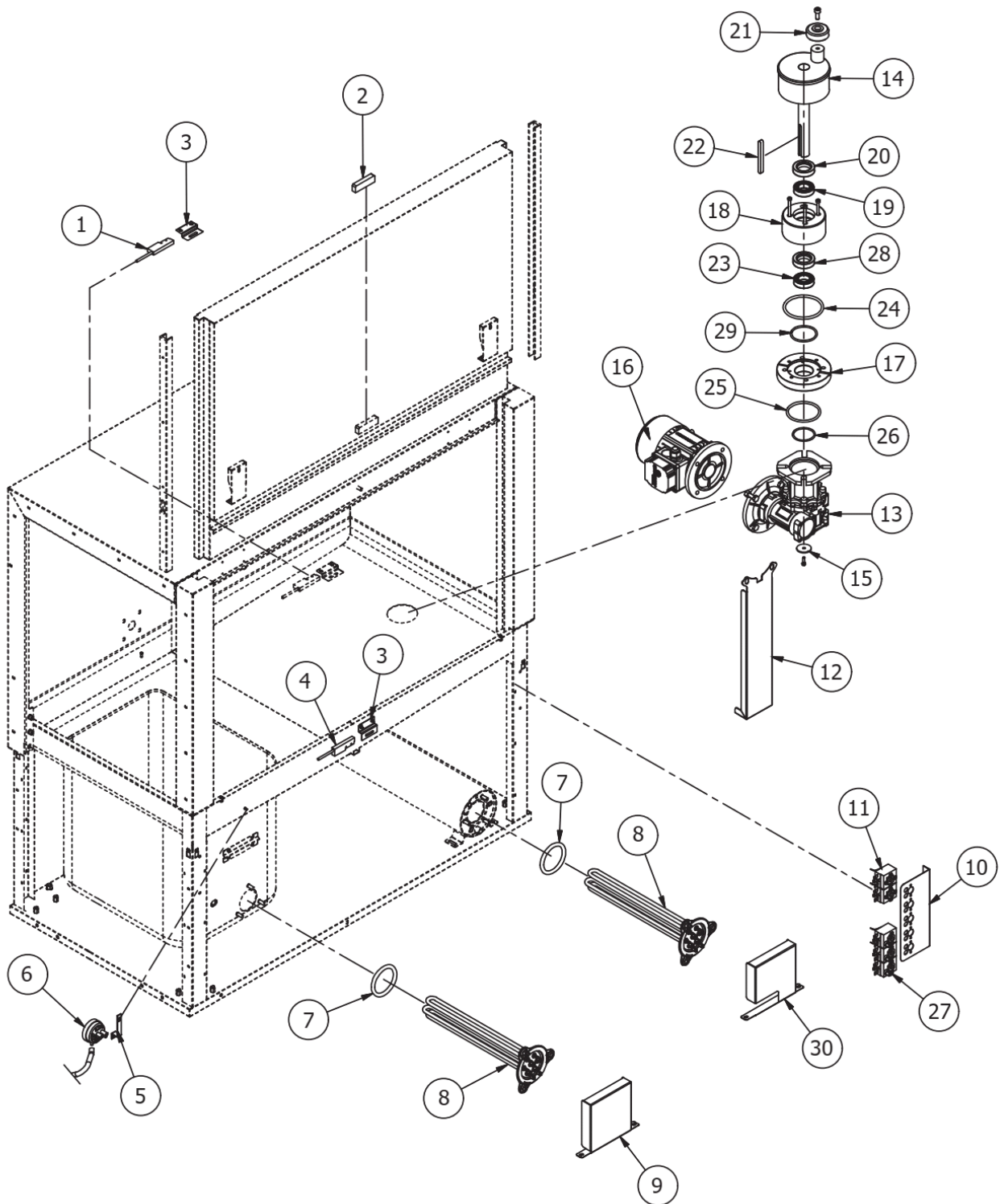




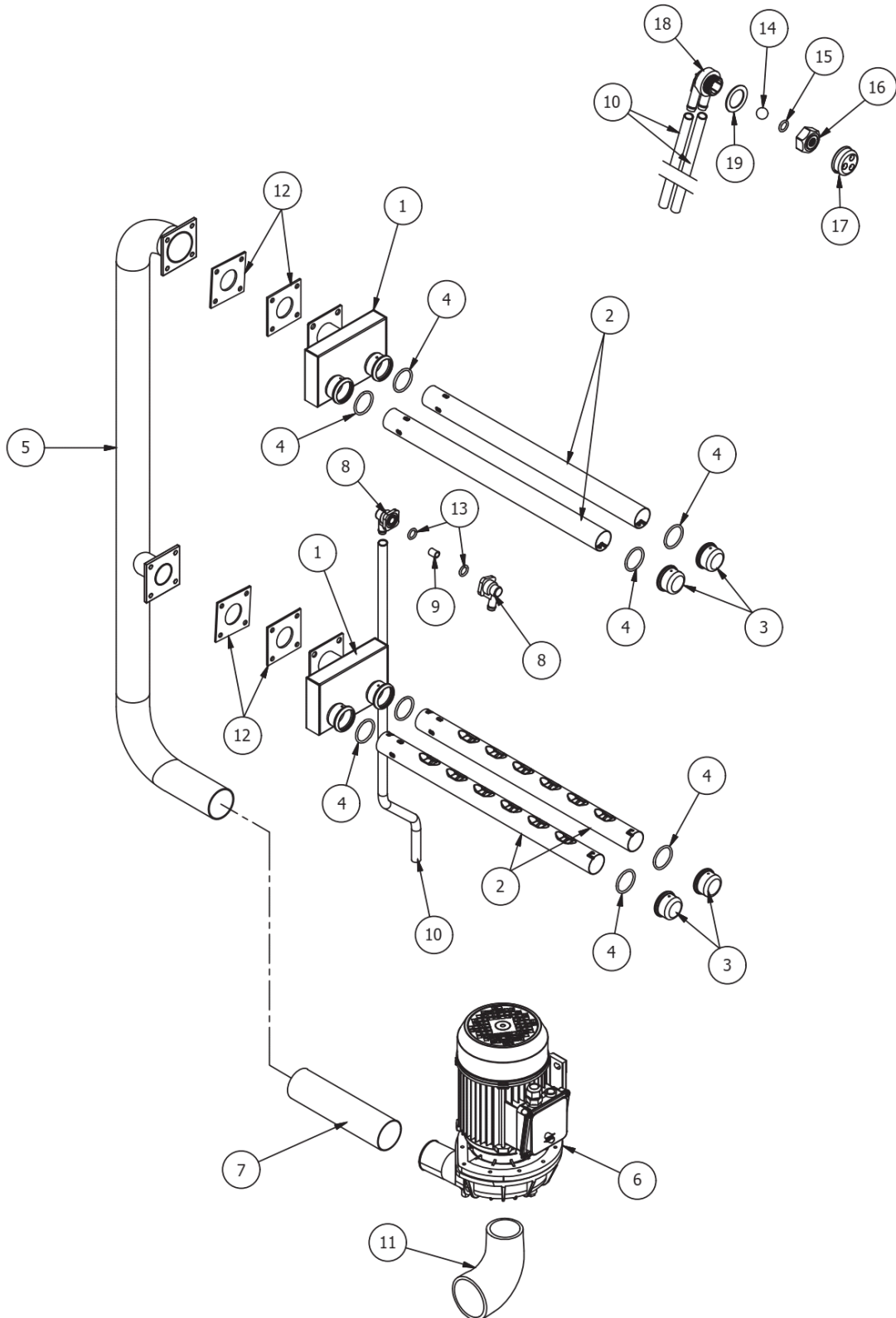
Drawing Number: 02



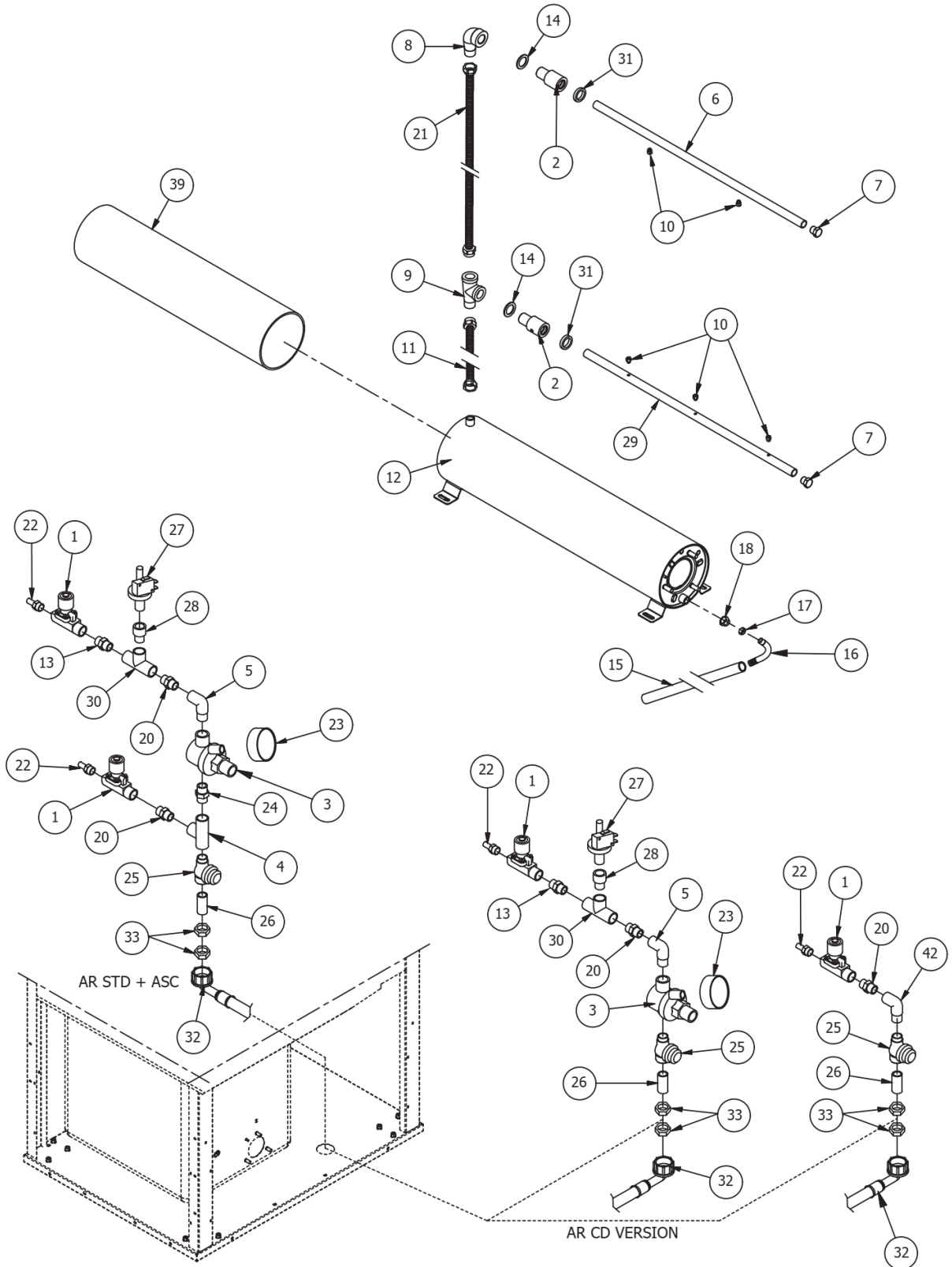
Drawing Number: 03



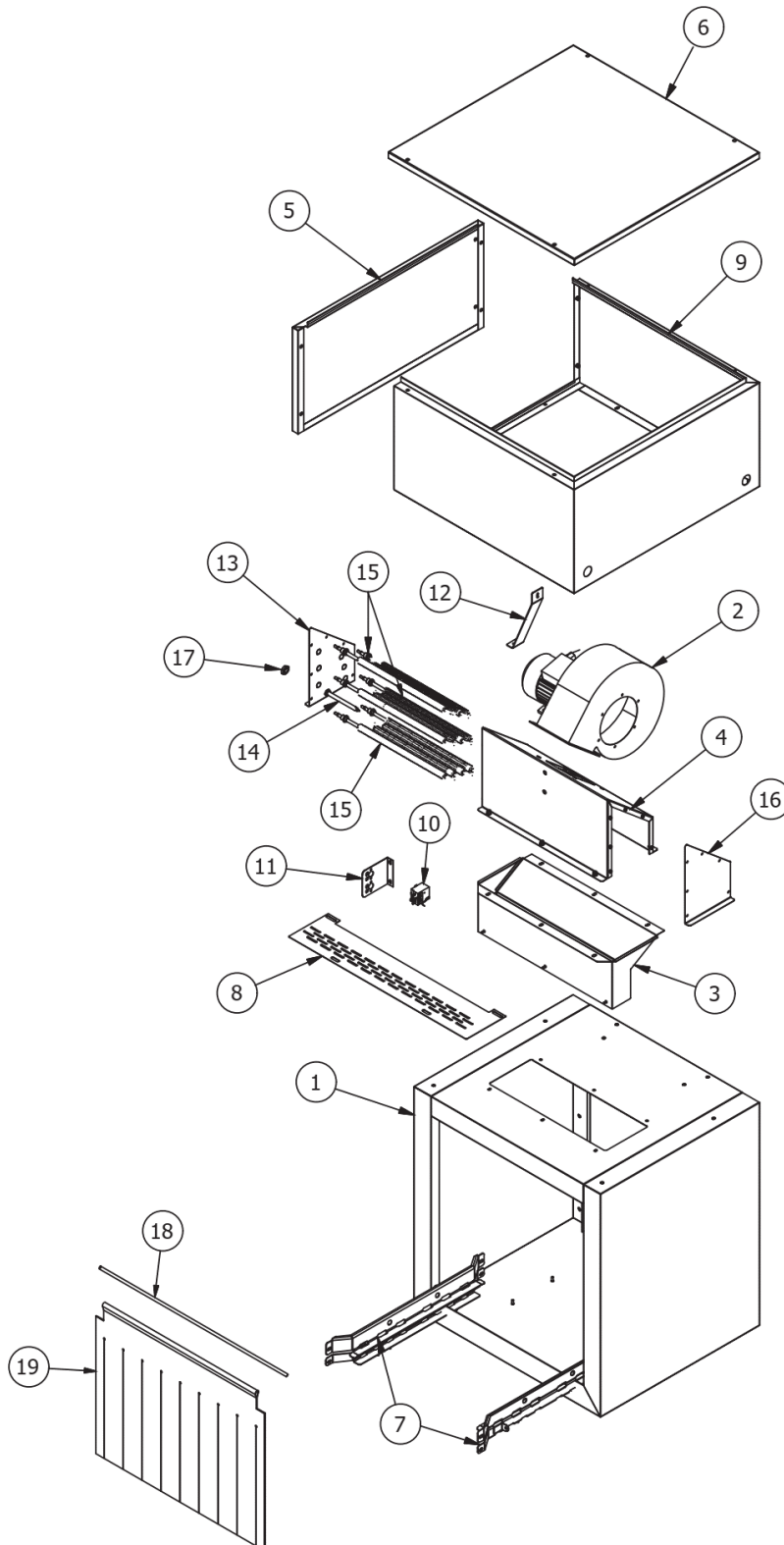
Drawing Number: 04



**Drawing Number: 05**

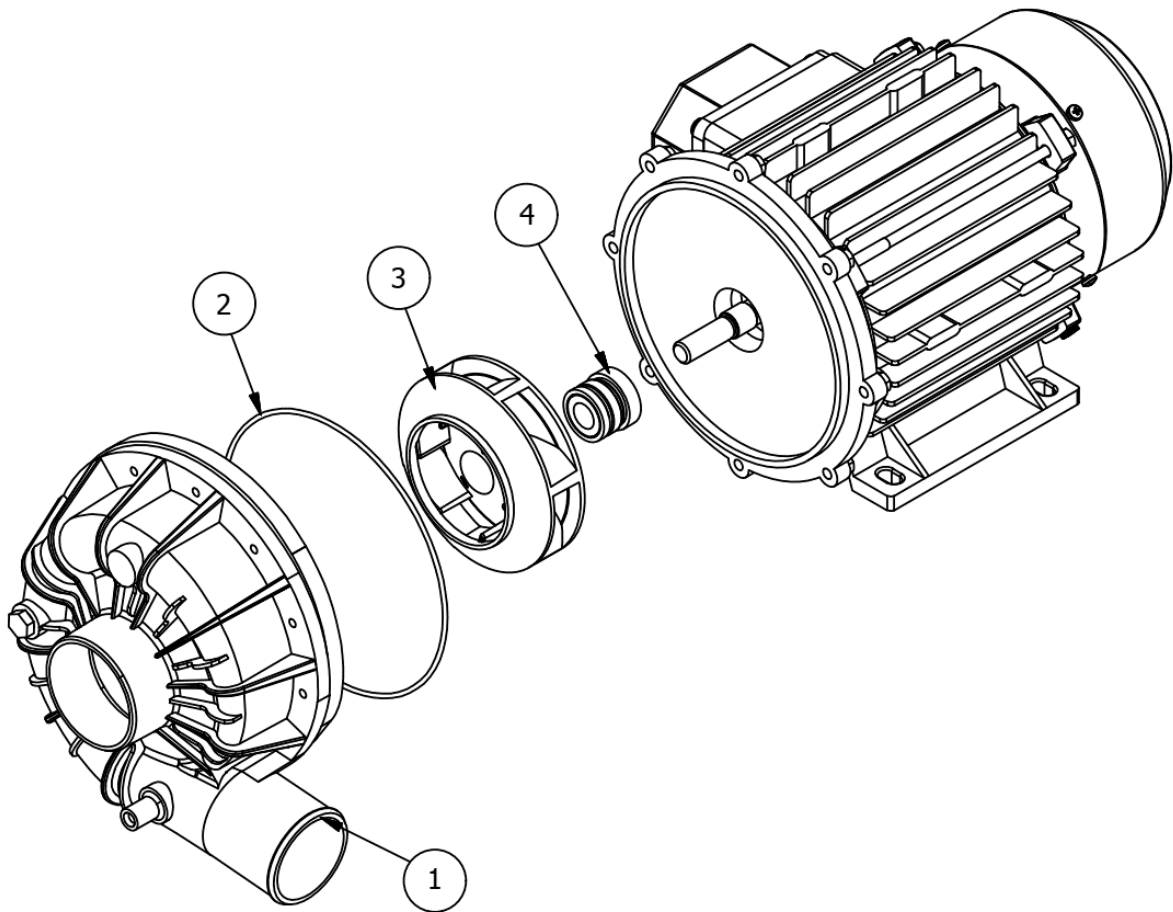


**Drawing Number: 06**

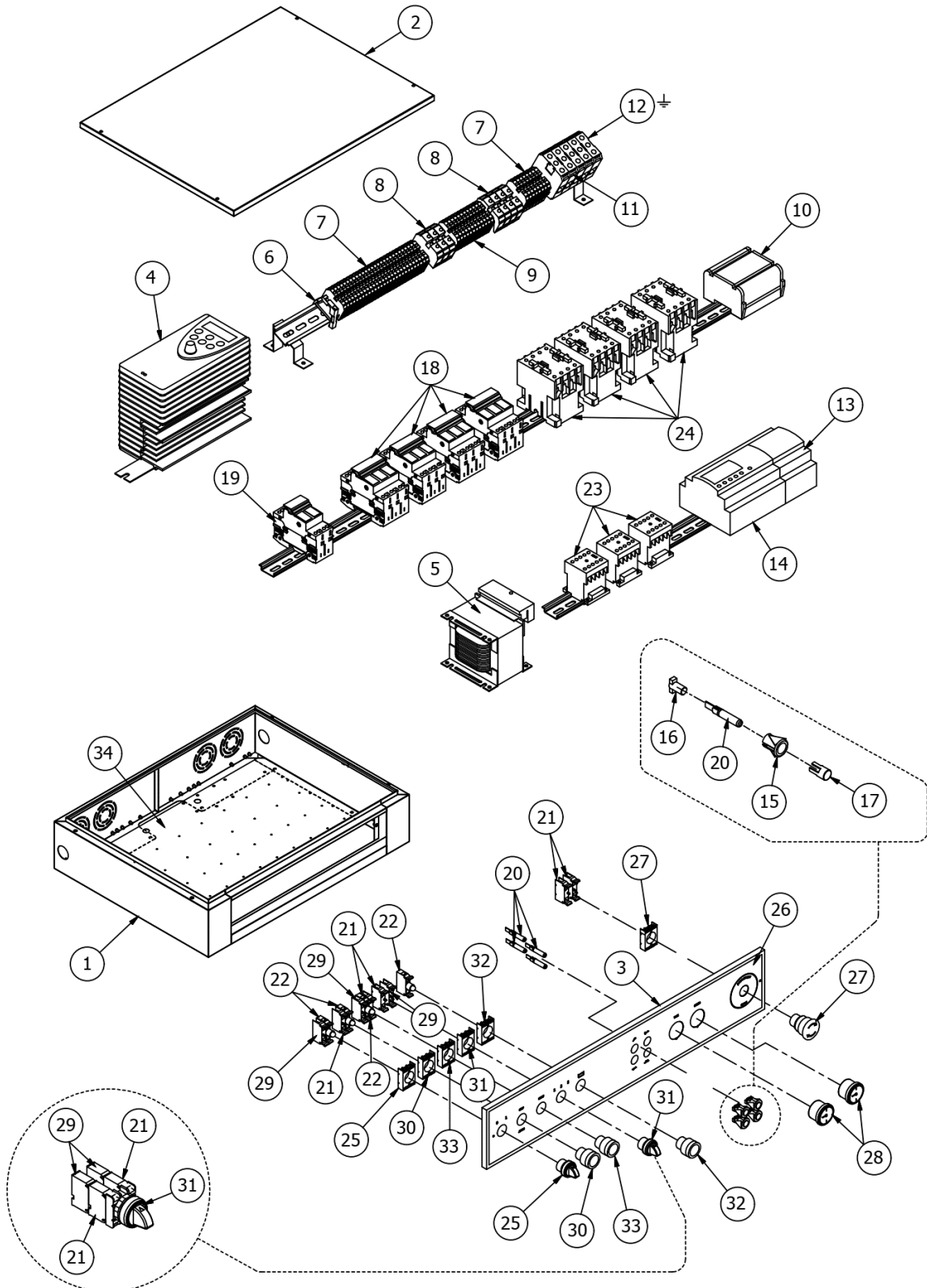




**Drawing Number: 07**



**Drawing Number: 08**





## Spare part list 7280.0100

POS:	Art.No.:	Omschrijving:	Aantal:
D1-1	**	SIDE PANEL	
D1-2	**	SPLASH GUARDS ASSY FOR ENERGY SAVING	
D1-3	**	REAR PANEL	
D1-4	**	RACK RAIL ASSY	
D1-5	**	ENERGY SAVING FILTER SUPPORT	
D1-6	**	SPLASH GUARDS PLATE	
D1-7	CS9136.1564	HEAT EXCHANGER	
D1-8	**	TOP PANEL	
D1-9	**	FAN PROTECTION	
D1-10	**	AXIAL FAN	
D1-12	**	SUCTION MANIFOLD ASSY	
D1-13	CS9136.1576	CURTAIN SUPPORT	
D1-14	CS9136.1573	LONG CURTAIN	
D1-15	CS9136.1504	STD SPLASH GUARDS ASSY	
D1-16	CS9136.1552	1/2" FF BRASS 90° ELBOW	
D1-17	CS9136.1553	HOSE NIPPLE 1/2" M x13	
D1-18	CS9136.1610	D. mm. 11,5x19 RUBBER HOSE (*)	
D1-19	**	FRONT PANEL	
D1-20	**	SPLASH GUARDS ASSY FOR INLET 90° MECHAN. CONVEYOR	
D2-1	**	MW1150 BODY ASSY. LEFT ENTRY WITH DOOR	
D2-1	**	MW1150 BODY ASSY. RIGHT ENTRY WITH DOOR	
D2-2	CS9136.1344	MACHINE DRAIN	
D2-3	**	RINSE PIPE LOWER SUPPORT	
D2-4	CS9136.1042	AIR TRAP (*)	
D2-5	CS9136.1043	AIR TRAP NUT	
D2-6	CS9136.0814	ANTI-CONDENSATION PIPE FITTING	
D2-7	CS9136.0816	O-RING 4081	
D2-8	CS9136.0614	DRAIN HOSE	
D2-9	CS9136.0141	DRAIN SCREW	
.		## = Parts cannot be ordered separately.	
.		** = No article number known, must be requested specifically.	





**7280.0100**

## **Combisteel BV**

Lightschip 63  
3991CP Houten  
The Netherlands

+31 (0)30 285 00 90  
info@combisteel.com  
www.combisteel.com