



7013.0130 - 7013.0132

Onderdelen informatie

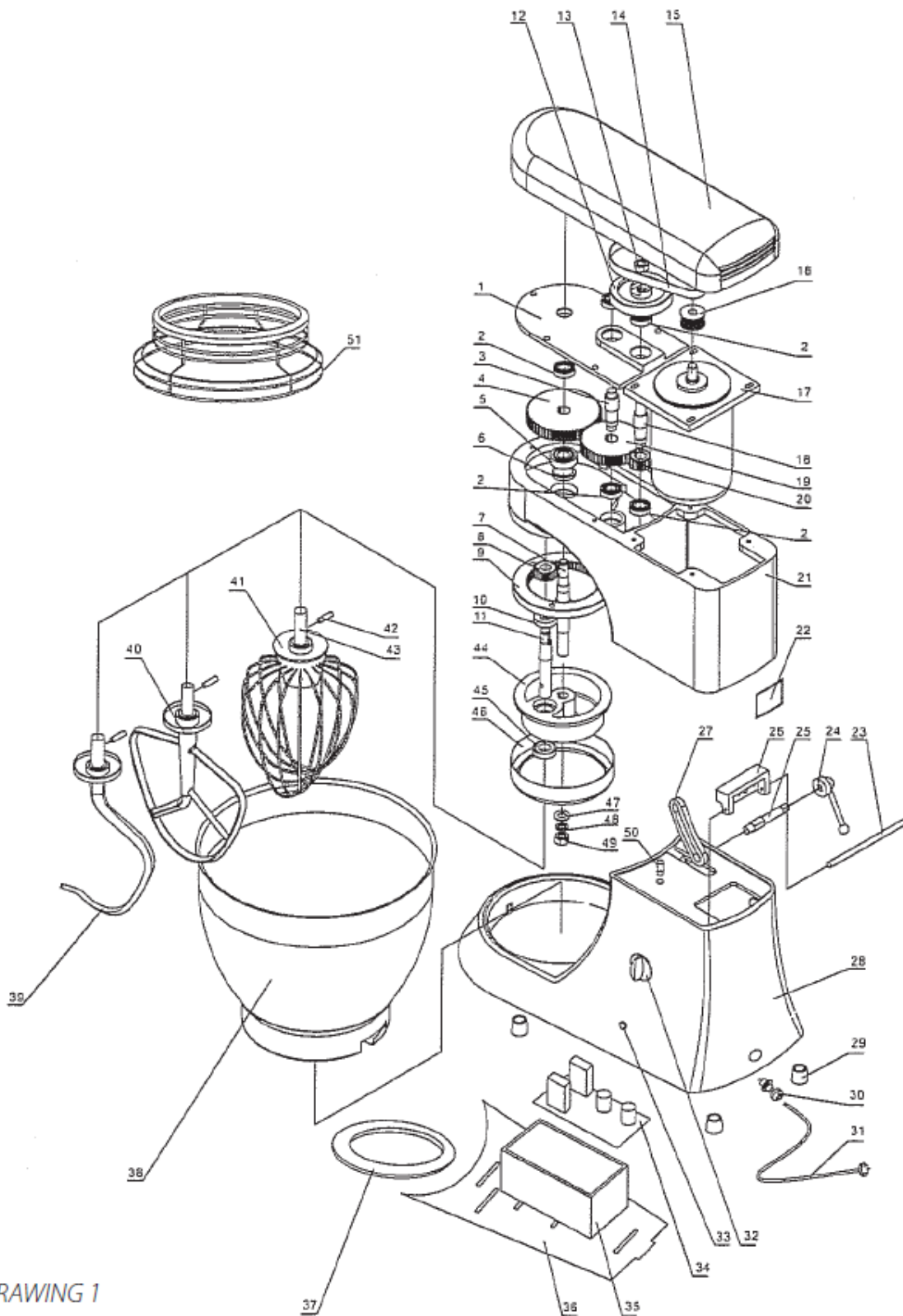
Erzatzteil information

Spare part information

Information de pièces



Machine illustration diagram



DRAWING 1

Spare Parts list

Items	Part number	Description	Remark
1	CS10003-04	Root Plane	
2	CS10003-1	Contain Oil Bearing	22x10x6(5)
3	CS10003-11	Middle Axle	
4	CS10003-16	Large Gear	
5	GB278-80101	Bearing	
6	12x25x10HG/T2811	Seal	
7	CS10003-19	Center Axle	
8	CS10003-17	8 CS10003-17 Planet Gear	
9	CS10003-15	Inner Gear	
10	CS10003-23	Bearing	2
11	CS10003-14	Mixing Axle	
12	CS10003-03	Large Belt Wheel	
13	GB617D-80-M8(left)	Nut	
14	120XL037	Belt	
15	CS10003-07	Top Cover	
16	CS10003-05	Small Belt Wheel	
17	CS10003-02	Motor	
18	CS10003-08	Axle of Belt Wheel	
19	CS10003-12	Transfer Gear	
20	CS10003-10	Driving Gear	
21	CS10003-01	Body	
22	CS10003-63	Name plate	
23	CS10003-43	Axle pin	
24	CS10003-48	Handle	
25	CS10003-25	Support Axle	
26	CS10003-06	Overturn Seat	
27	CS10003-24	Supper Plane	
28	CS10003-18	Base Plane	
29	CS10003-21	Adjusting Screw	4
30	M16x10x30	Electric Cable Plug	
31	GB5023.5-1997	Electric Wire	3x0,75mm 2,L=1850mm
32		Speed Adjusting Button	
33		Switch Indicator hight	
34	CS10003-62	Circuit Plate	
35	CS10003-39	Electronic Box	
36	CS10003-22	Base Plate	
37	CS10003-27	Rubber Mat	
38	CS10003-36	Mixing Bowl	
39	CS10003-29	Hook Shape Mixing Agitator	
40	CS10003-30	Racket Shape Mixing	
41	CS10003-31	Net Shape Mixing Agitator	
42	CS10003-41	Pin	3
43	CS10003-46	Connecting Axle	3
44	CS10003-09	Main Axle Cover	
45	20x25x7HG/T2811	Seal	
46	CS10003-28	Adorning Cover	
47	GB95-85-08	Cushion	
48	GB93-76-08	Spring Cushion	
49	GB6170-86-M8	Nut	
50	CS10003-53	Orientation Pin	
51	CS10003-60	Protection net	
Indication: Have no explain the spare parts' quantity in annotations fence equal to one.			